

CUSTOMER NOTIFICATION

SUD-DT-04-0006 (1/3)

January 7, 2004

Koji Nishibayashi, Senior System Integrator
Microcomputer Group
2nd Solutions Division
Solutions Operations Unit
NEC Electronics Corporation

CP(K), O

IE-70000-MC-PS-B
(Control Code: A, B)

Notice of Product Specification Change

Be sure to read this document before using the product.

• Details of Specification Change

No.1 The United Kingdom (UK)-specification 240 V AC cable is now included with the IE-70000-MC-PS-B [Description]

A 100 V AC cable and 220 V AC cable are included with the IE-70000-MC-PS-B control code A. From control code B and later products, a 240 V AC cable will also be included.

The 240 V AC cable (UK-specification) will be provided for free for one year from February 2, 2004, for customers who purchased the control code A product and wish to use the 240 V AC cable.

Please contact an NEC Electronics sales office or distributor to obtain this cable.

The user's manuals of emulators using the IE-70000-MC-PS-B only describe the 100 V and 220 V AC cable, but the 240 V AC cable can also be used.

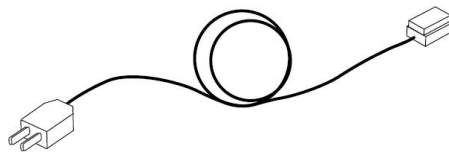


Figure 1. 100 V AC Cable (Mainly for Japanese Specifications)

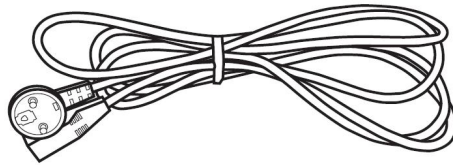


Figure 2. 220 V AC Cable (Mainly for Foreign Specifications Other Than UK)

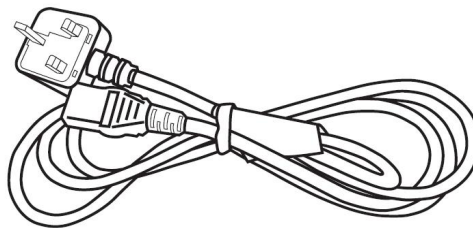


Figure 3. 240 V AC Cable (UK Specifications)

No.2 Modification of AC power supply size

[Description]

The conventional AC power supply has been replaced with a new one in line with changing the status of the conventional one to a maintenance product. Accordingly, the size of the AC power supply has been changed. There is no change in the electrical specifications.

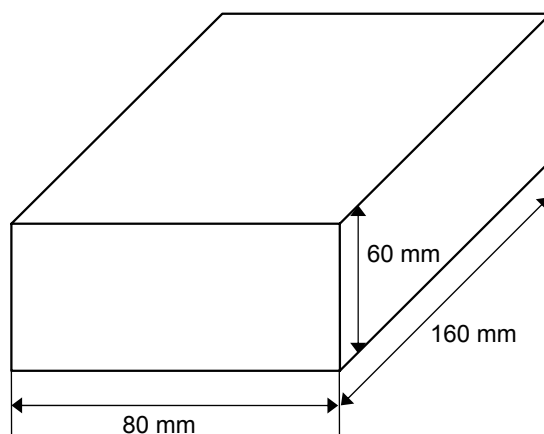


Figure 4. Dimensions of AC Power Supply for Control Code A Products

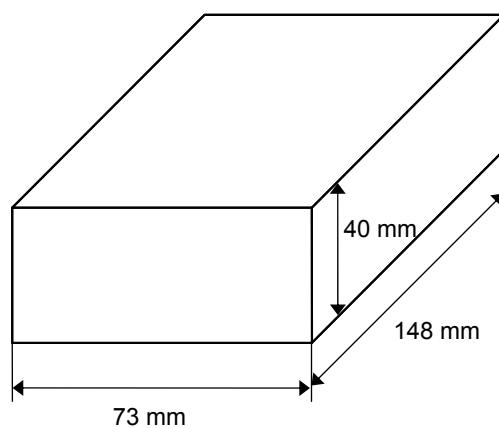


Figure 5. Dimensions of AC Power Supply for Control Code B Products

The “control code” is the second digit from the left in the 10-digit serial number described on the packing box.