

To our customers,

---

## Old Company Name in Catalogs and Other Documents

---

On April 1<sup>st</sup>, 2010, NEC Electronics Corporation merged with Renesas Technology Corporation, and Renesas Electronics Corporation took over all the business of both companies. Therefore, although the old company name remains in this document, it is a valid Renesas Electronics document. We appreciate your understanding.

Renesas Electronics website: <http://www.renesas.com>

April 1<sup>st</sup>, 2010  
Renesas Electronics Corporation

Issued by: Renesas Electronics Corporation (<http://www.renesas.com>)

Send any inquiries to <http://www.renesas.com/inquiry>.

# RENESAS TECHNICAL UPDATE

Classification of Production	MPU		No	TN-SH7-477A/E	Rev	1
THEME	Correctional specs and additional specs concerning SH7760 electric characteristic tSTD		Classification of Information	1. Spec change ② Supplement of Documents 3. Limitation of Use 4. Change of Mask 5. Change of Production Line		
PRODUCT NAME	SH7760	Lot No.	Reference Documents	SH7760 Hardware Manual ADE-602-291 Rev. 1.0	Effective Date	
		All			Eternity	

This is to notify you of the correction and the addition of the pin drive timing at following table 33.6 control signal timing and figure 33.16 standby mode for output delay time (tSTD) of electric characteristic STATUS pins of SH7760.

(1)The contents before manual correction

Table 33.6 Control Signal Timing

Bus tri-state delay time to standby mode	$t_{BOFF2}$	—	2	$t_{cyc}$	33.16
Bus buffer on time	$t_{BON1}$	—	12	ns	33.15
Bus buffer on time from standby	$t_{BON2}$	—	2	$t_{cyc}$	33.16
STATUS 0/1 delay time	$t_{STD1}$	—	6	ns	33.16
STATUS 0/1 delay time to standby	$t_{STD2}$	—	2	$t_{cyc}$	33.16

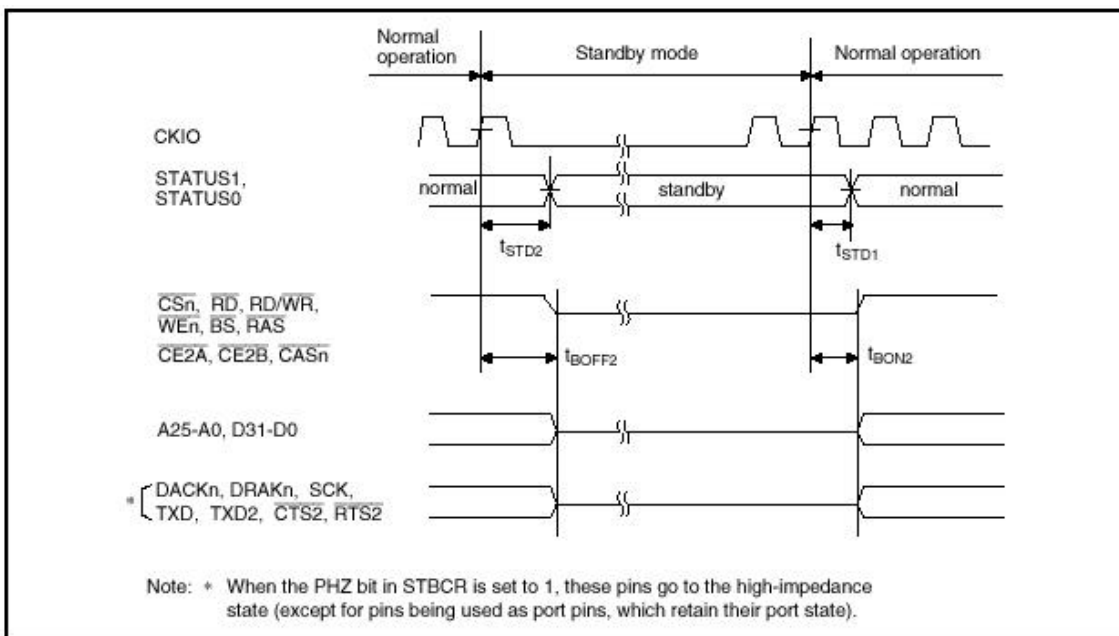


Figure 33.16 Pin Drive Timing for Standby Mode

(2)The contents after manual correction

Table 33.6 Control Signal Timing

Bus tri-state delay time to standby mode	$t_{BOFF2}$	—	2	$t_{cyc}$	33.16(2)
Bus buffer on time	$t_{BON1}$	—	12	ns	33.15
Bus buffer on time from standby	$t_{BON2}$	—	2	$t_{cyc}$	33.16(2)
STATUS 0/1 delay time	$t_{STD1}$	—	6	ns	33.16(1)
	$t_{STD2}$	—	2	$t_{cyc}$	33.16(1)(2)
	$t_{STD3}$	—	2	$t_{cyc}$	33.16(2)

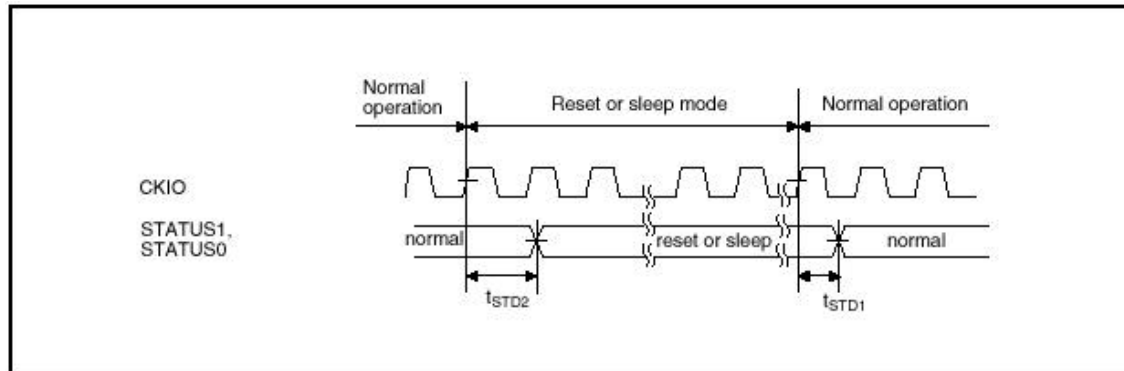


Figure 33.16(1) Pin Drive Timing for Reset or Sleep Mode

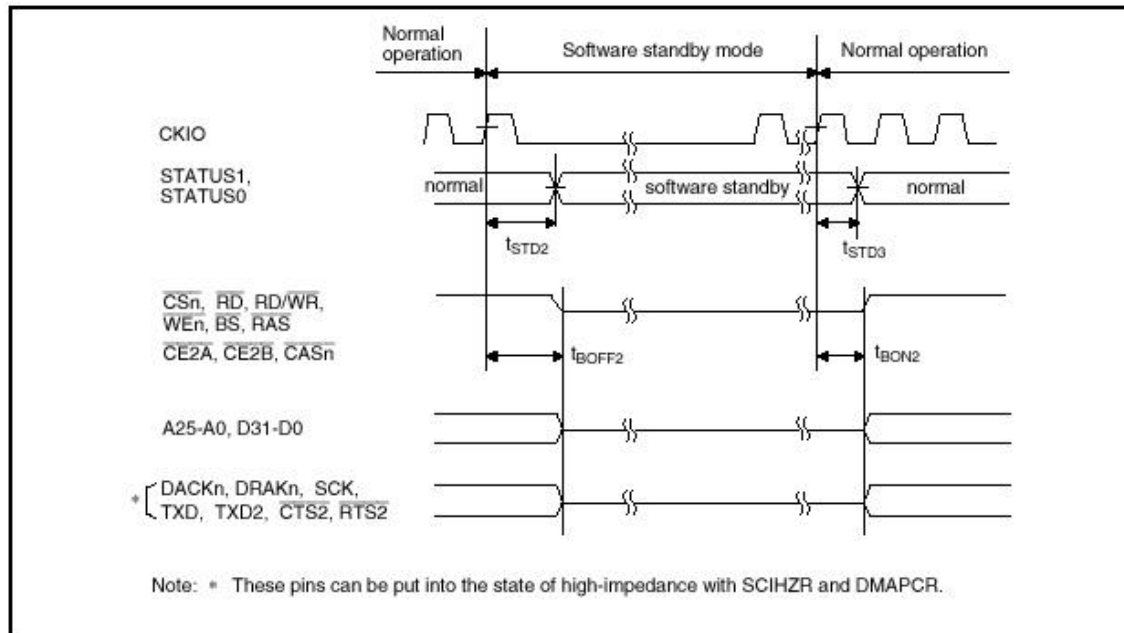


Figure 33.16(2) Pin Drive Timing for Software Standby Mode