

To our customers,

---

## Old Company Name in Catalogs and Other Documents

---

On April 1<sup>st</sup>, 2010, NEC Electronics Corporation merged with Renesas Technology Corporation, and Renesas Electronics Corporation took over all the business of both companies. Therefore, although the old company name remains in this document, it is a valid Renesas Electronics document. We appreciate your understanding.

Renesas Electronics website: <http://www.renesas.com>

April 1<sup>st</sup>, 2010  
Renesas Electronics Corporation

Issued by: Renesas Electronics Corporation (<http://www.renesas.com>)

Send any inquiries to <http://www.renesas.com/inquiry>.

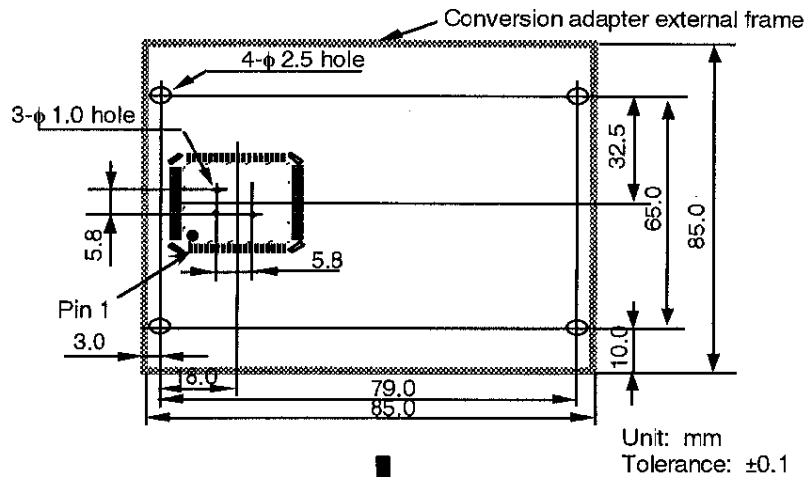
# HITACHI MICROCOMPUTER TECHNICAL UPDATE

DATE	March 4th, 1997	No.	TN-EML-021A/E
THEME	Correction of Figure B-11 in Appendix B of the E7000 SH7708, SH7702 Emulator User's Manual		
CLASSIFICATION	<input type="checkbox"/> Spec. change <input checked="" type="checkbox"/> Supplement of Documents		<input type="checkbox"/> Limitation on Use
PRODUCT NAME	SH7708, SH7702 E7000 Emulator (HS7708EPD70H)	TARGET LOTS	
		All	
REFERENCE DOCUMENTS	E7000 SH7708, SH7702 Emulator User's Manual (HS7708EPD70HE)	Effective Date: Permanent	
		From: March 4th, 1997	

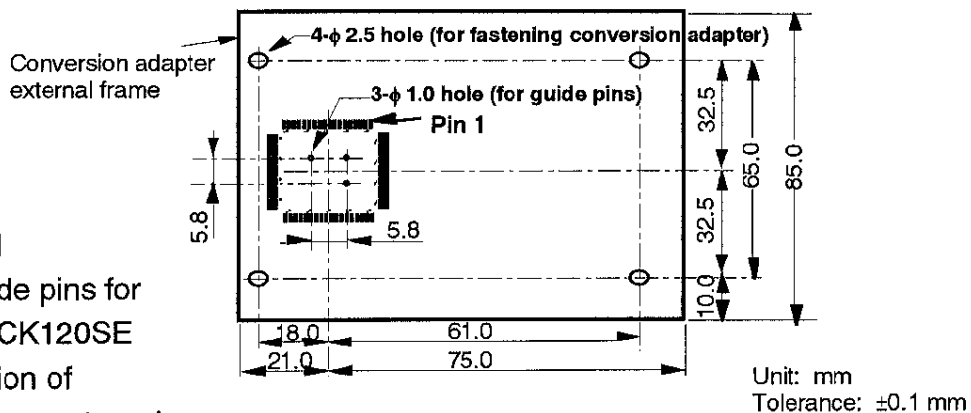
There are three mistakes in figure B-11, Connector Location and Signal Pin Alignment for the HS7702CYN71H, in appendix B of the E7000 SH7708, SH7702 Emulator User's Manual (HS7708EPD70HE).

Please refer to the correct figure below when developing your target board.

Mistake



Correct



### Modifications:

- Location of pin 1
- Locations of guide pins for installing NQPACK120SE
- Breadth dimension of conversion adapter external frame