

To our customers,

Old Company Name in Catalogs and Other Documents

On April 1st, 2010, NEC Electronics Corporation merged with Renesas Technology Corporation, and Renesas Electronics Corporation took over all the business of both companies. Therefore, although the old company name remains in this document, it is a valid Renesas Electronics document. We appreciate your understanding.

Renesas Electronics website: <http://www.renesas.com>

April 1st, 2010
Renesas Electronics Corporation

Issued by: Renesas Electronics Corporation (<http://www.renesas.com>)

Send any inquiries to <http://www.renesas.com/inquiry>.

RENESAS TECHNICAL UPDATE

Nippon Bldg., 2-6-2, Ohte-machi, Chiyoda-ku, Tokyo 100-0004, Japan
 Renesas Technology Corp.

| | | | | | | |
|--------------------|--|---------|----------------------|----------------|------|------|
| Product Category | Transistor | | Document No. | TN-WTR-A002A/E | Rev. | 1.00 |
| Title | CMFPAK-6 Packing specification change | | Information Category | Packing Change | | |
| Applicable Product | CMFPAK-6 Package (HAT1058C and HAT1059C are excepted) | Lot No. | Reference Document | - | | |
| | | - | | | | |

Renesas Technology will change the packing specification of CMFPAK-6.

1. Applicability

All of CMFPAK-6 packaged transistor. (HAT1058C and HAT1059C are excepted.)

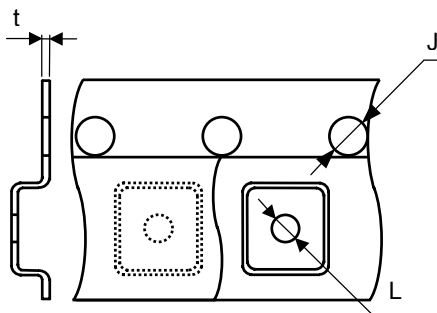
2. Purpose

Unify of material.

New carrier is used by other transistors. (Applicable package is CMPAK-6.)

3. Cahanging of Packing

Points that are changed are as follow.



Material and other dimensions are not changed.

| Item | Symbol | Dimensions | | Unit | |
|--------------|--------------------|---------------|----------------------------|---------------------|----|
| | | Before change | After change | | |
| Feeding hole | Diameter | J | $\phi 1.5 \pm 0.1 / -0.05$ | $\phi 1.55 \pm 0.1$ | mm |
| Carrier tape | Thickness | t | 0.2 ± 0.05 | 0.25 ± 0.05 | mm |
| | Emboss center hole | L | $\phi 1.05 \pm 0.15$ | $\phi 1.05 \pm 0.1$ | |

4. Schedule

Production by new specification will start from 2007/April.

New and old specification may be shipped in disorder by condition of stock.