

RENESAS TECHNICAL UPDATE

1753, Shimonumabe, Nakahara-ku, Kawasaki-shi, Kanagawa 211-8668 Japan
Renesas Electronics Corporation

| | | | | | | |
|--------------------|---|---------------------|----------------------|---------------------------------------|------|------|
| Product Category | RF Switch IC | | Document No. | TN-LRF-A001A/E | Rev. | 1.00 |
| Title | 6pin Super Minimold Packaged Switch IC Change of Manufacturing Base (Addition) | | Information Category | Change or addition of Production Line | | |
| Applicable Product | UPG2214TB, UPG2179TB | Lot No. | Reference Document | | | |
| | | After November 2012 | | | | |

1. Affected products

Package: 6pin super minimold plastic package
Part Number: UPG2214TB, UPG2179TB

2. Description of changes

Addition of manufacturing base.

Before Change

Chuo Denshi Kogyo Co., Ltd.

After Change (Addition)

Chuo Denshi Kogyo Co., Ltd.

MOST (Microwave & Optical Semiconductors Taiwan Co., Ltd)

Notes

As for the products manufactured by MOST, the key changes from the products manufactured in Japan are as follows,

- Product quantity per reel: 10kpcs
- Shipment reel: Please refer to an attached drawing.
- Part number: UPG2214TB-E4A, UPG2179TB-E4A

3. Reason for changes

Expansion of manufacturing capability

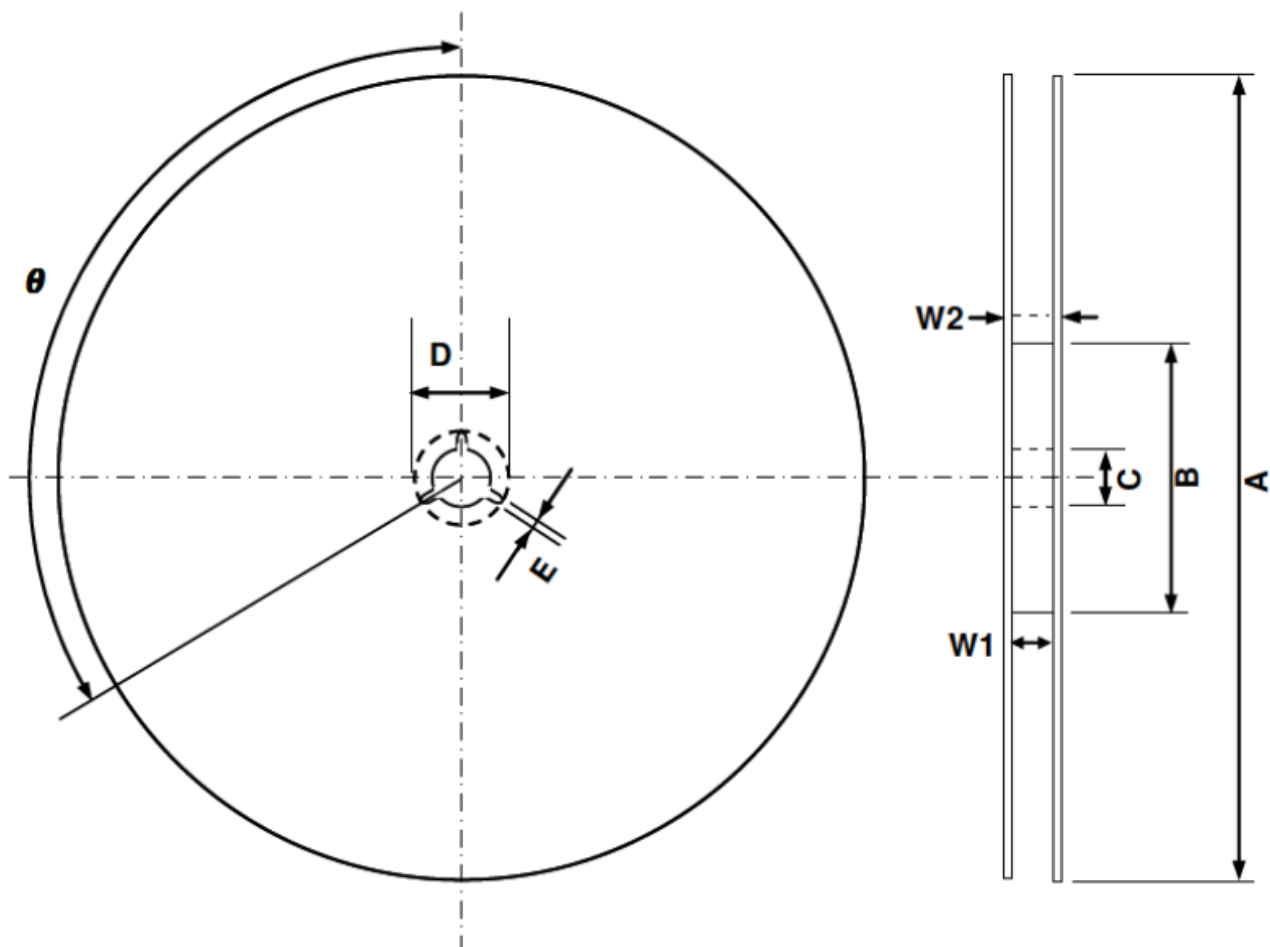
4. Schedule of changes

This change will apply to product shipments after November 2012.

5. Electrical characteristics and reliability

No change

ϕ 330mm Shipment reel drawing (MOST manufactured product)



(Unit: mm)

| ITEM | | SYMBOL | SIZE |
|--------|------------------------|----------|-------------------|
| Flange | Diameter | A | $\phi 330 \pm 2$ |
| | Inner Space of Flanges | W1 | 9.5 ± 1 |
| | Outer Width of Flanges | W2 | 13.5 ± 1 |
| Hub | Outer Diameter | B | $\phi 100 \pm 1$ |
| | Spindle Hole Diameter | C | $\phi 13 \pm 0.2$ |
| | Key Slit Diameter | D | $\phi 21 \pm 0.8$ |
| | Key Slit Width | E | 2 ± 0.5 |
| | Key Slit Location | θ | 120° |

The anti-electrostatic treatment is applied to this reel.