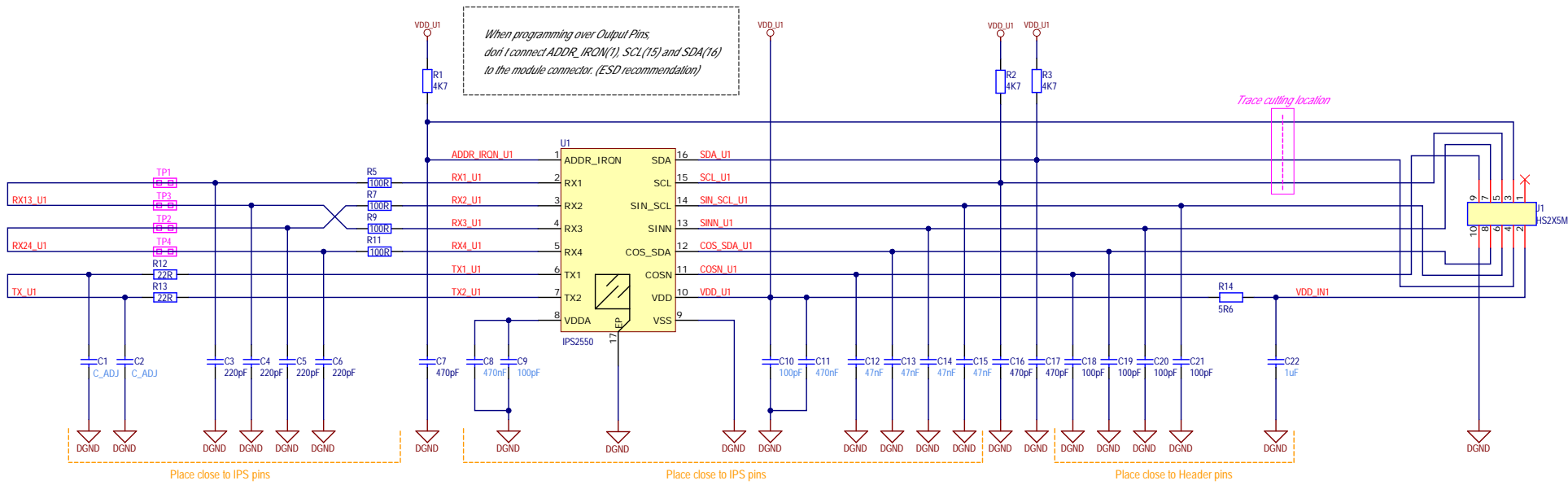


ESD protection diodes are recommended for voltage levels over 20KV.
E.g. using 150pF / 3300hm ESD gun for test



$$f_{TX} = \frac{1}{2\pi\sqrt{L_{TX}C_{TX}}} \rightarrow C_{TX} = \frac{1}{(2\pi f_{TX})^2 L_{TX}}$$

C_ADJ = To be adjusted according to coil inductivity. Calculate C_TX with the given formula.
C_ADJ = 2 x C_TX
It's recommended to use C0G or NP0 ceramic capacitors
Use dielectric strength Vr >= 50V X7R capacitors for C7 + (C10 .. C22)

LEGEND
 Component Size 0603
 Component Size 0402
 Net Name
 Component Placement Suggestion
 Optional Component

Project name	IPS2550_SINGLE_TEMPLATE_V40.PrjPcb	Version	4.0		
Sheet title	IPS2550_SINGLE_TEMPLATE_V40	Size	A3		
File name	IPS2550_SINGLE_TEMPLATE_V40.SchDoc				
Date	02.06.2021	SYSP APP ENG. TEAM	Drawn by		B.GOMBOR
		Sheet	1	of	1