

1

2

3

4

D

D

C

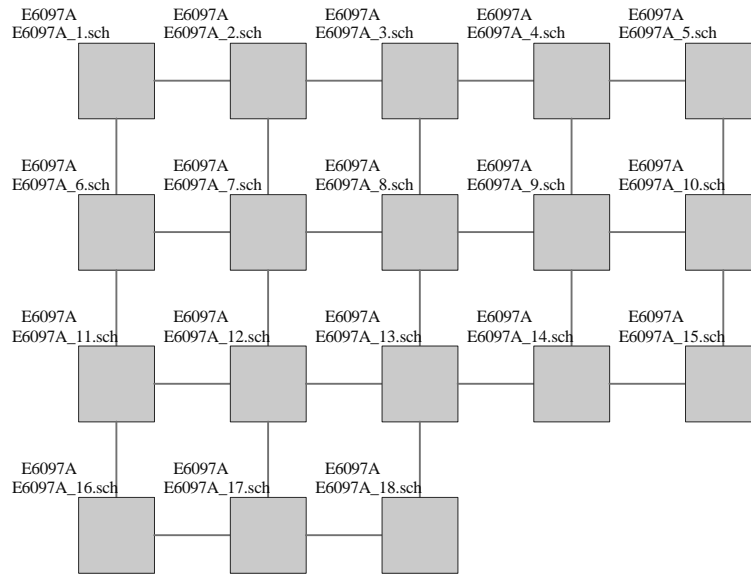
C

B

B

A

A



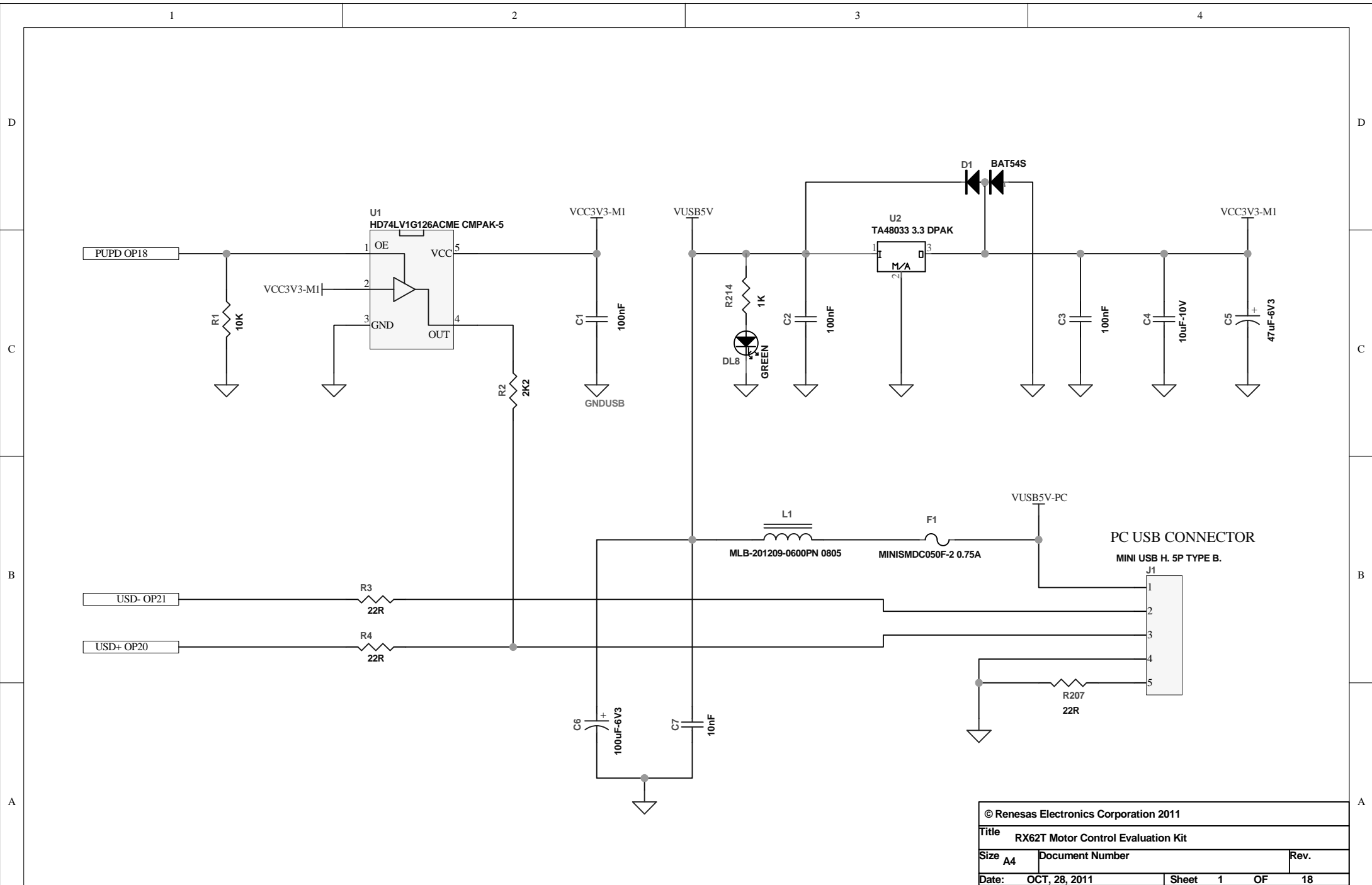
© Renesas Electronics Corporation 2011			
Title RX62T Motor Control Evaluation Kit			
Size A4	Document Number	Rev. 1	
Date: OCT, 28, 2011	Sheet 0	OF 18	

1

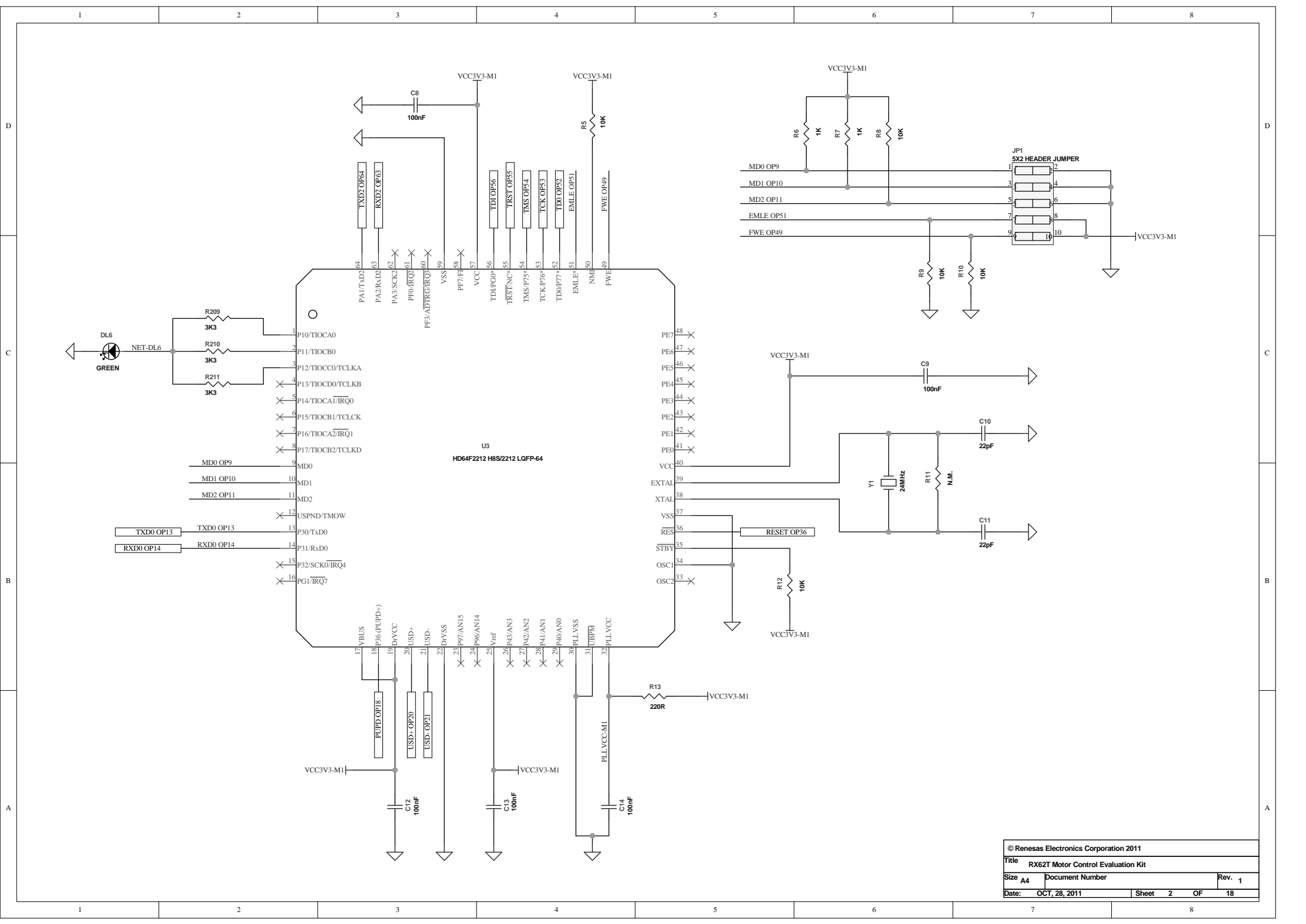
2

3

4

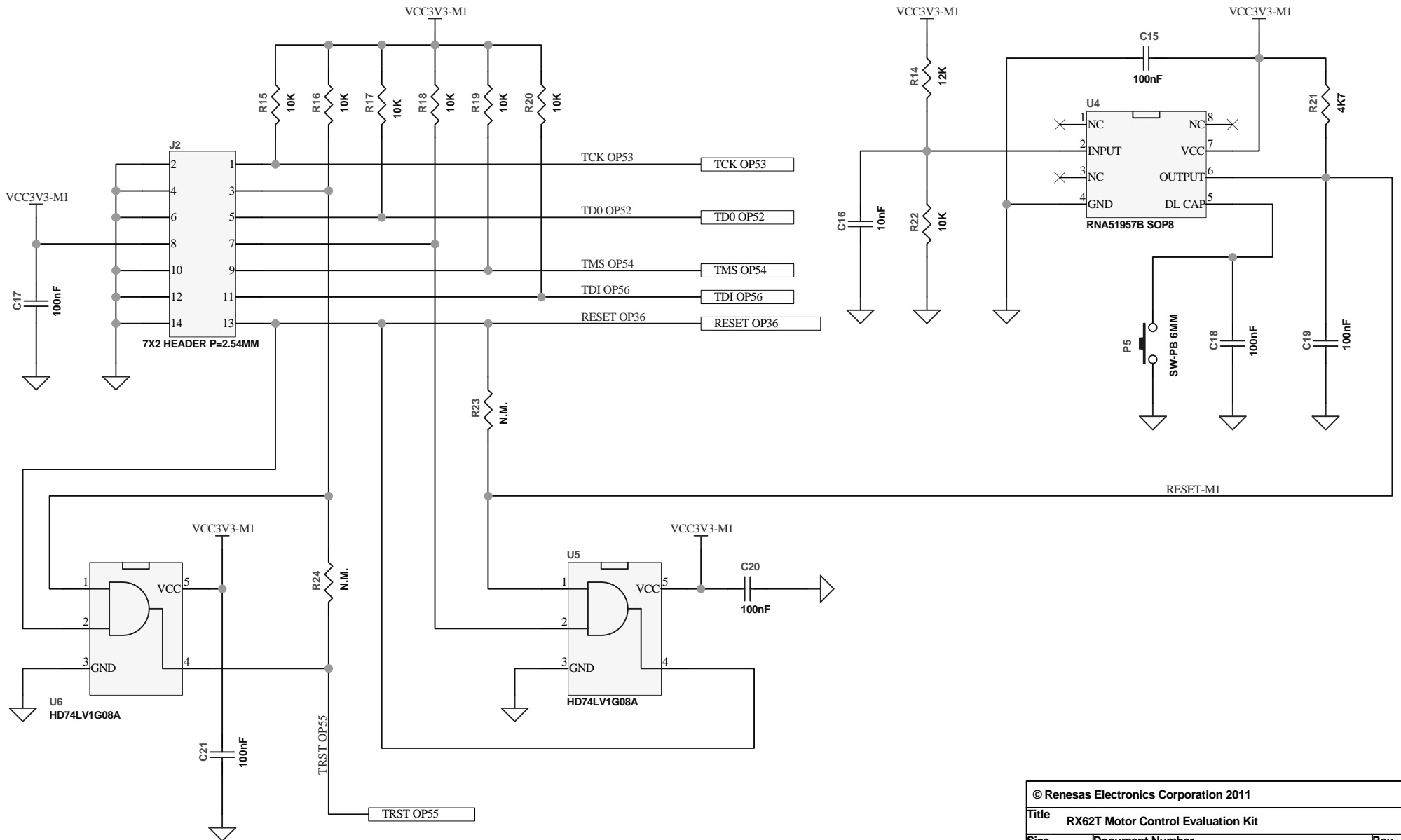


© Renesas Electronics Corporation 2011			
Title RX62T Motor Control Evaluation Kit			
Size A4	Document Number	Rev.	
Date: OCT, 28, 2011	Sheet 1	OF	18

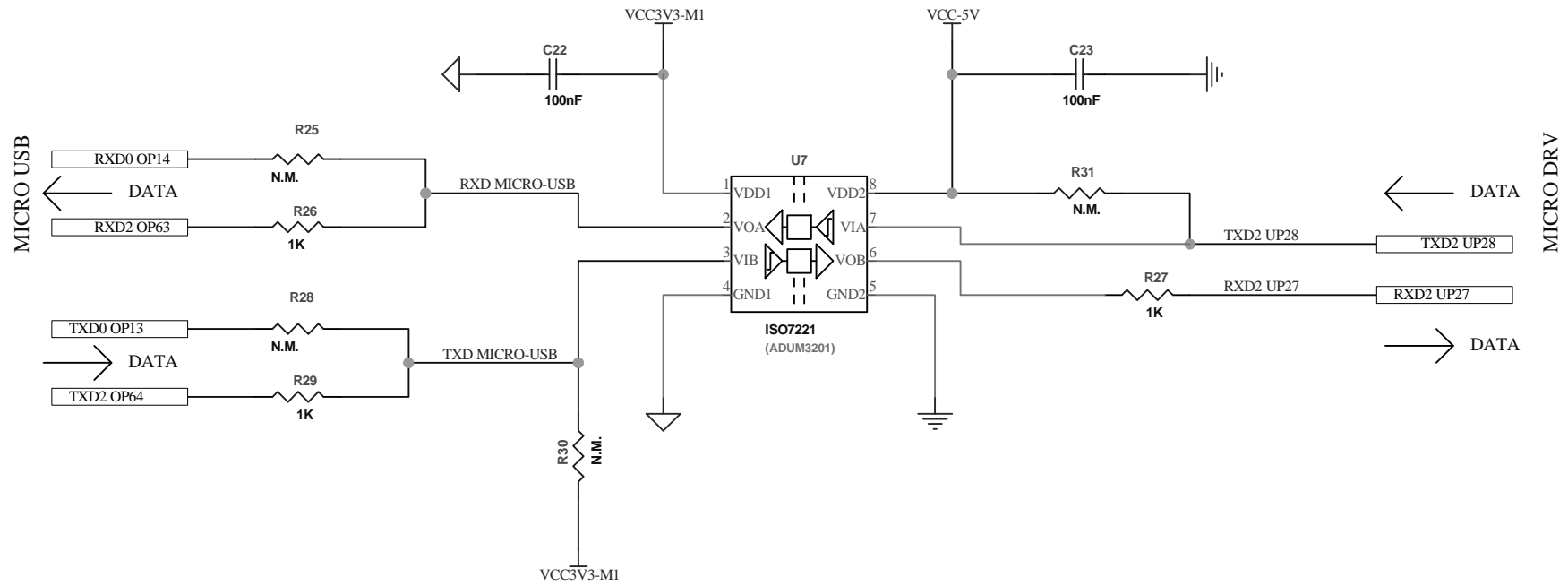


PROG DEBUG E10

RESET

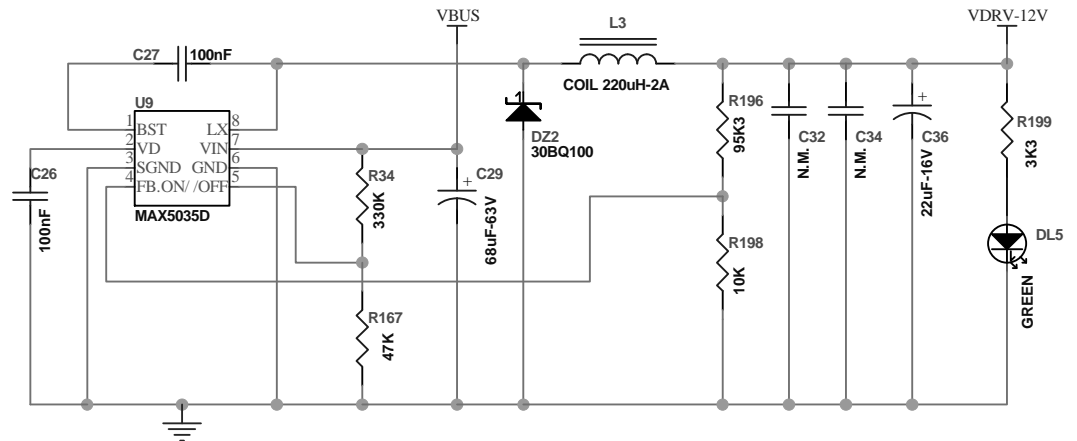
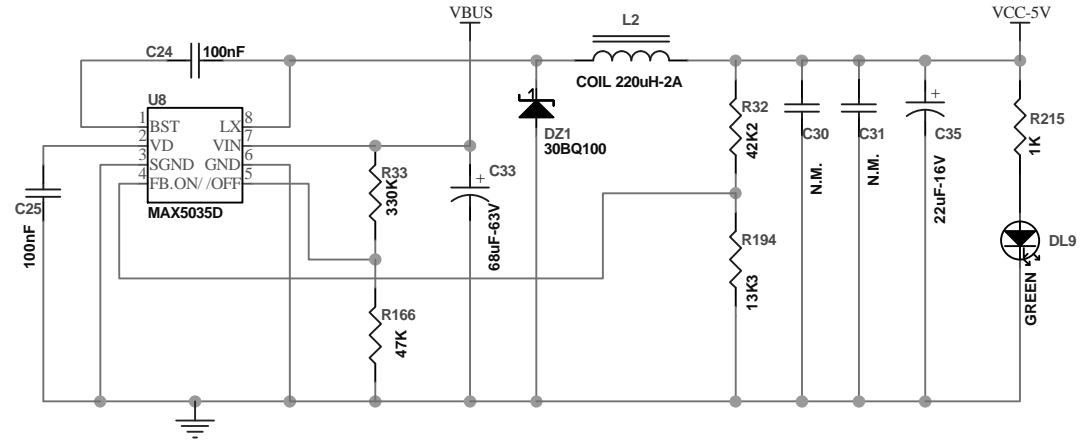
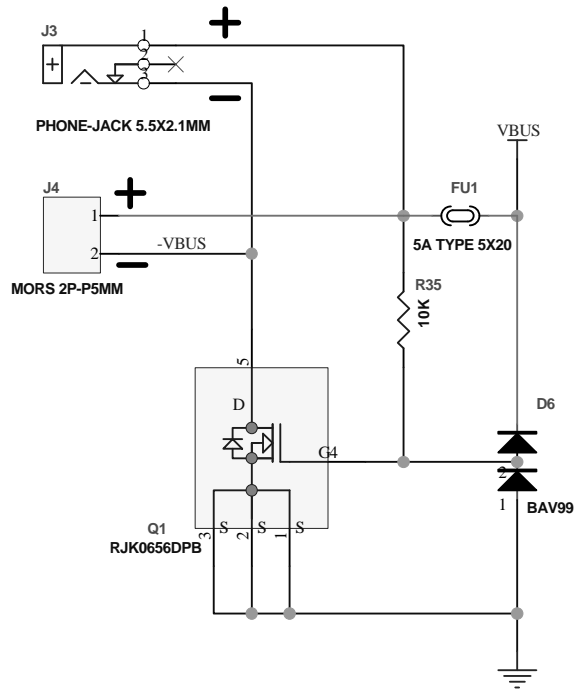


INSULATED COMMUNICATION BETWEEN MICROCONTROLLERS

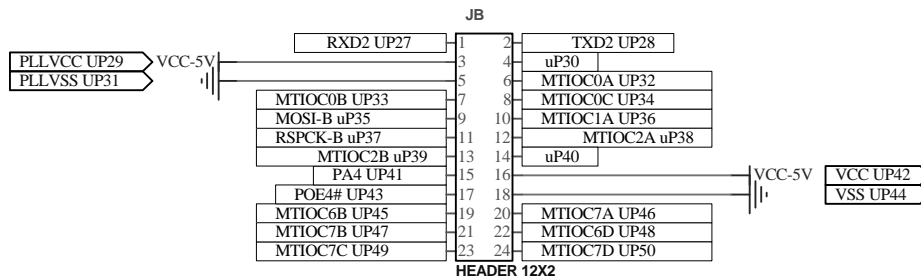
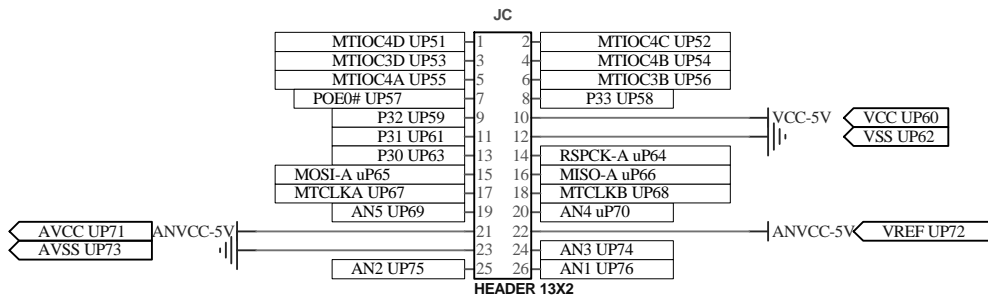
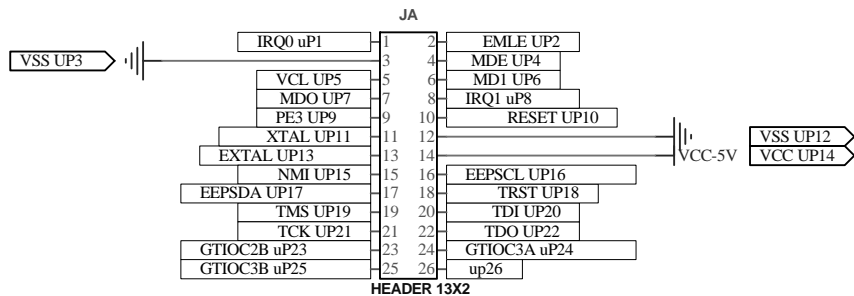
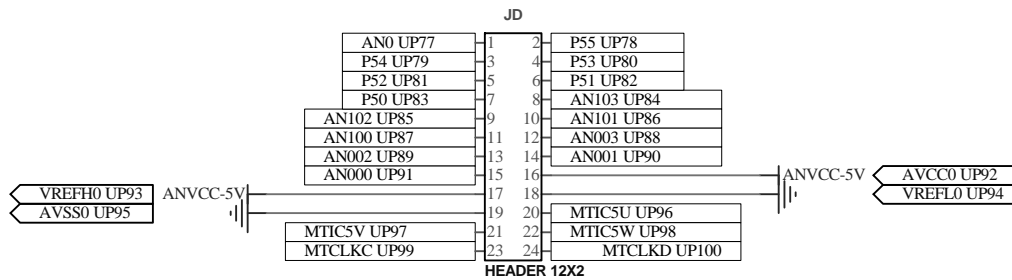


© Renesas Electronics Corporation 2011		
Title RX62T Motor Control Evaluation Kit		
Size A4	Document Number	Rev. 1
Date: OCT, 28, 2011	Sheet 4 OF	18

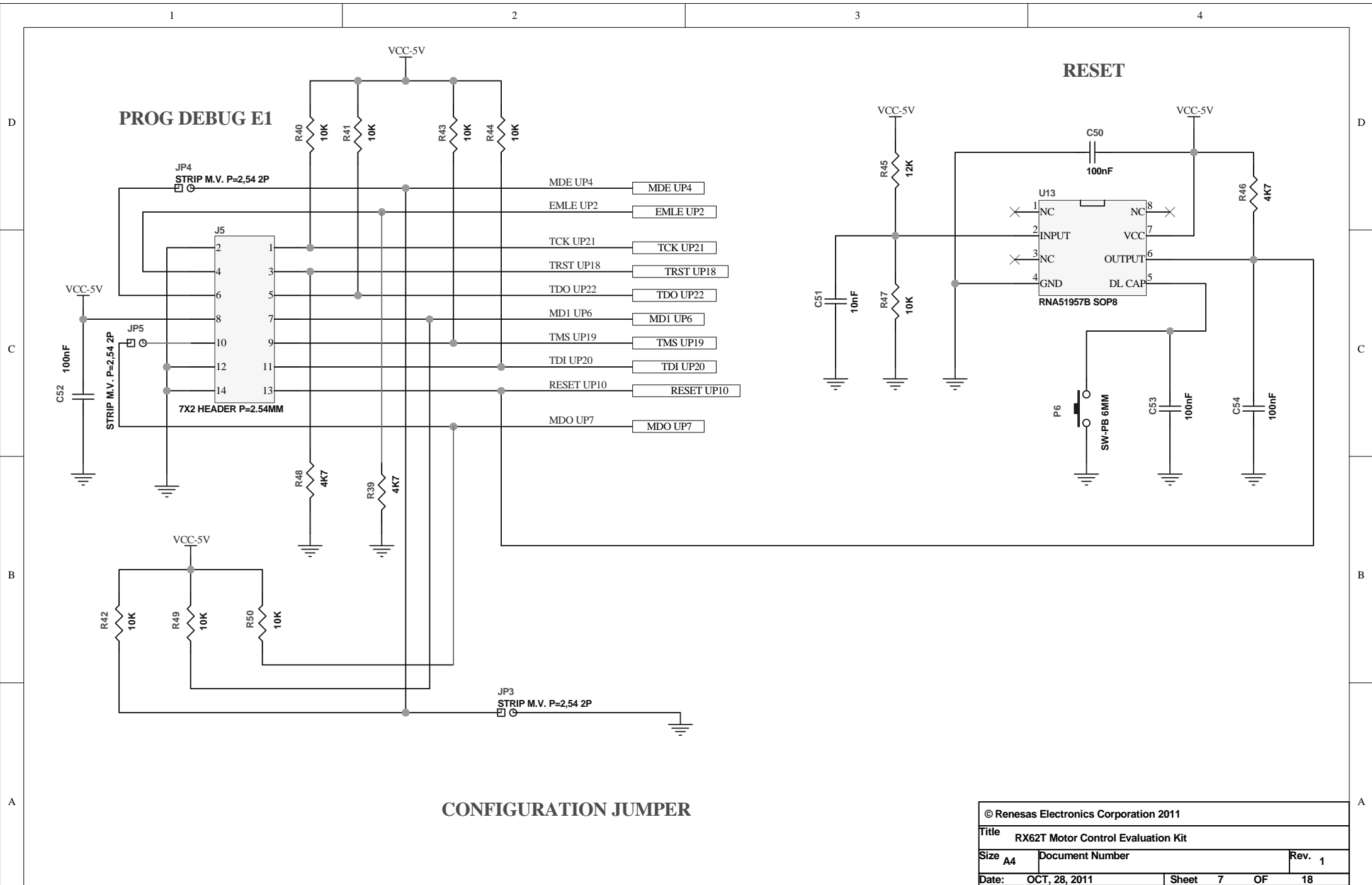
REVERSE POWER PROTECTION



© Renesas Electronics Corporation 2011			
Title RX62T Motor Control Evaluation Kit			
Size A4	Document Number	Rev. 1	
Date: OCT, 28, 2011	Sheet 5	OF	18

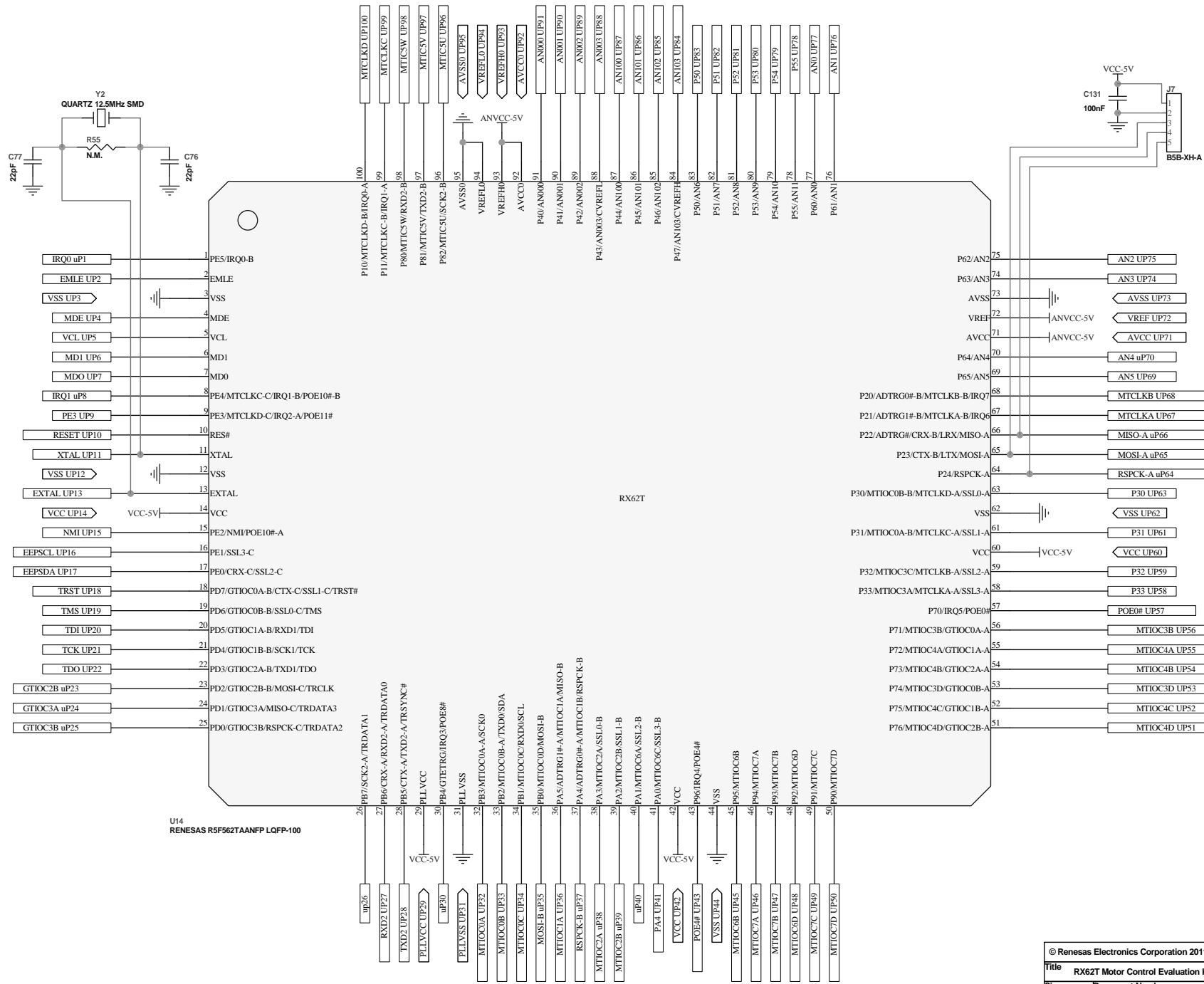


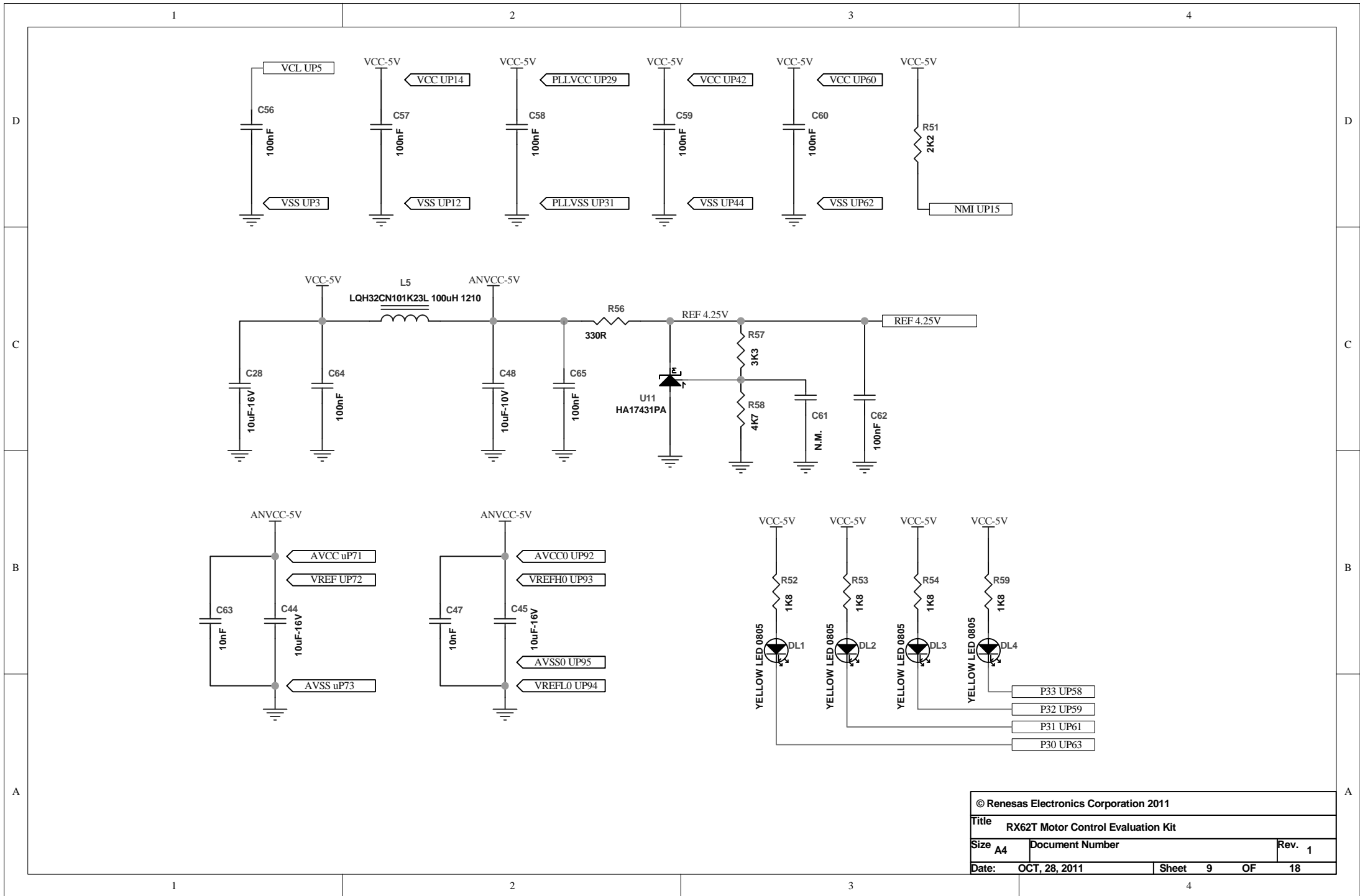
© Renesas Electronics Corporation 2011			
Title RX62T Motor Control Evaluation Kit			
Size A4	Document Number	Rev. 1	
Date: OCT, 28, 2011	Sheet 6	OF	18



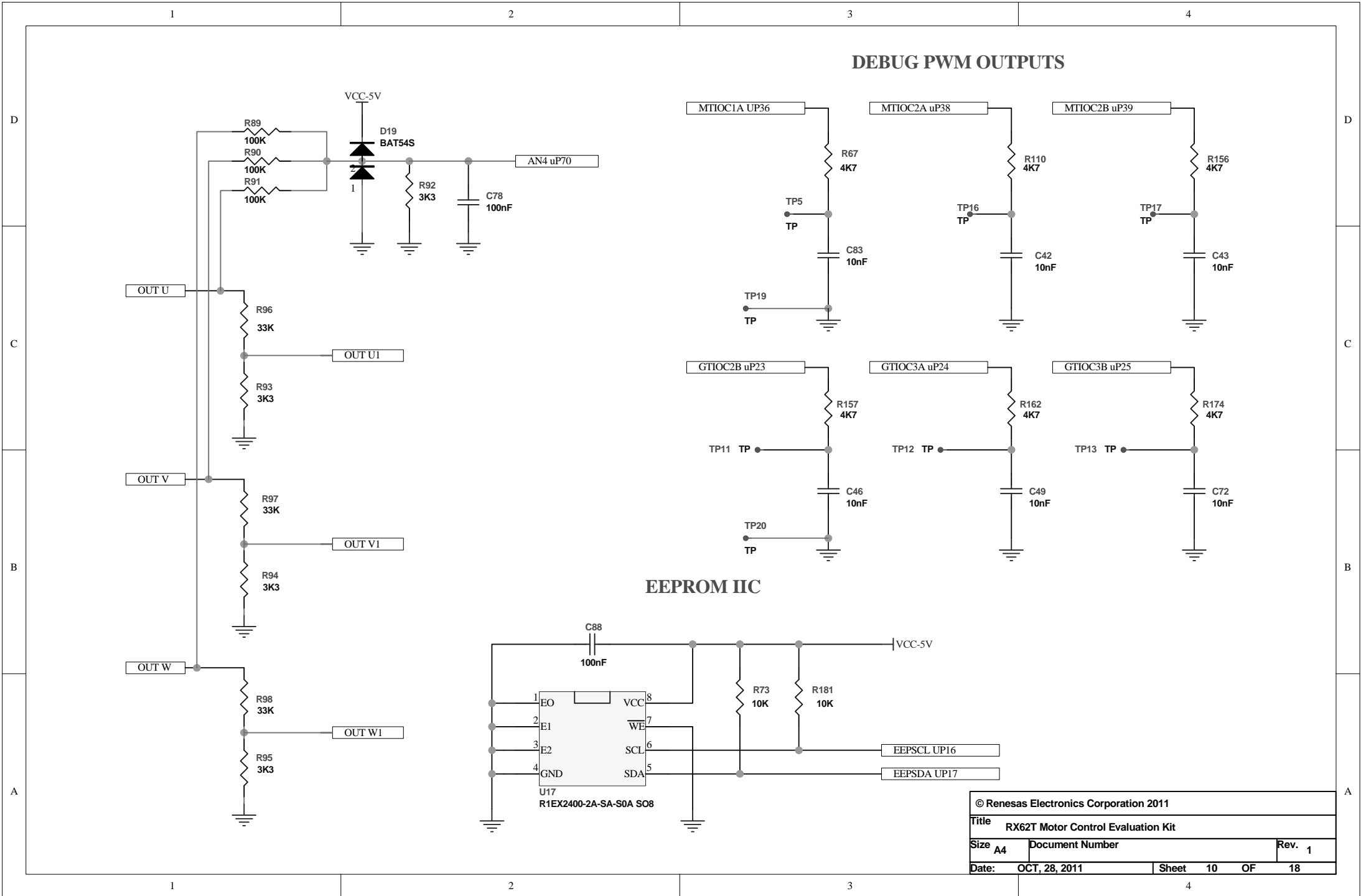
CONFIGURATION JUMPER

© Renesas Electronics Corporation 2011			
Title RX62T Motor Control Evaluation Kit			
Size A4	Document Number	Rev. 1	
Date: OCT, 28, 2011	Sheet 7	OF 18	

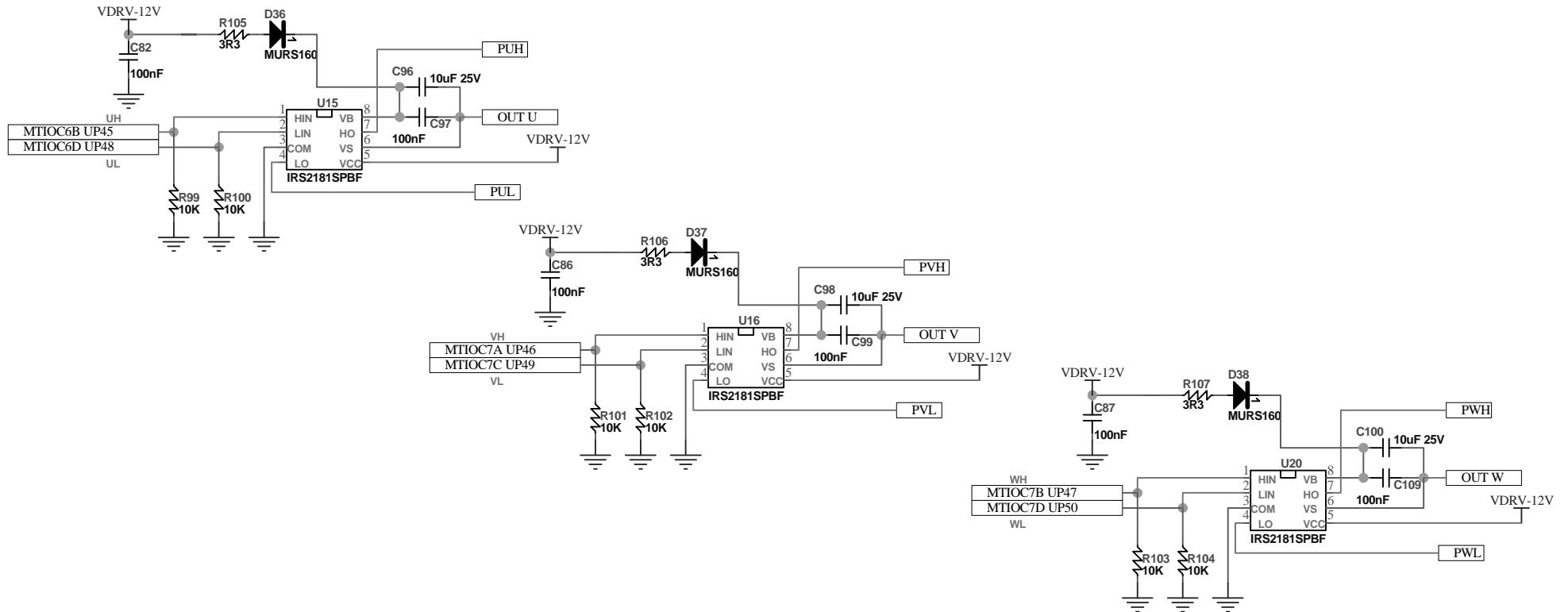




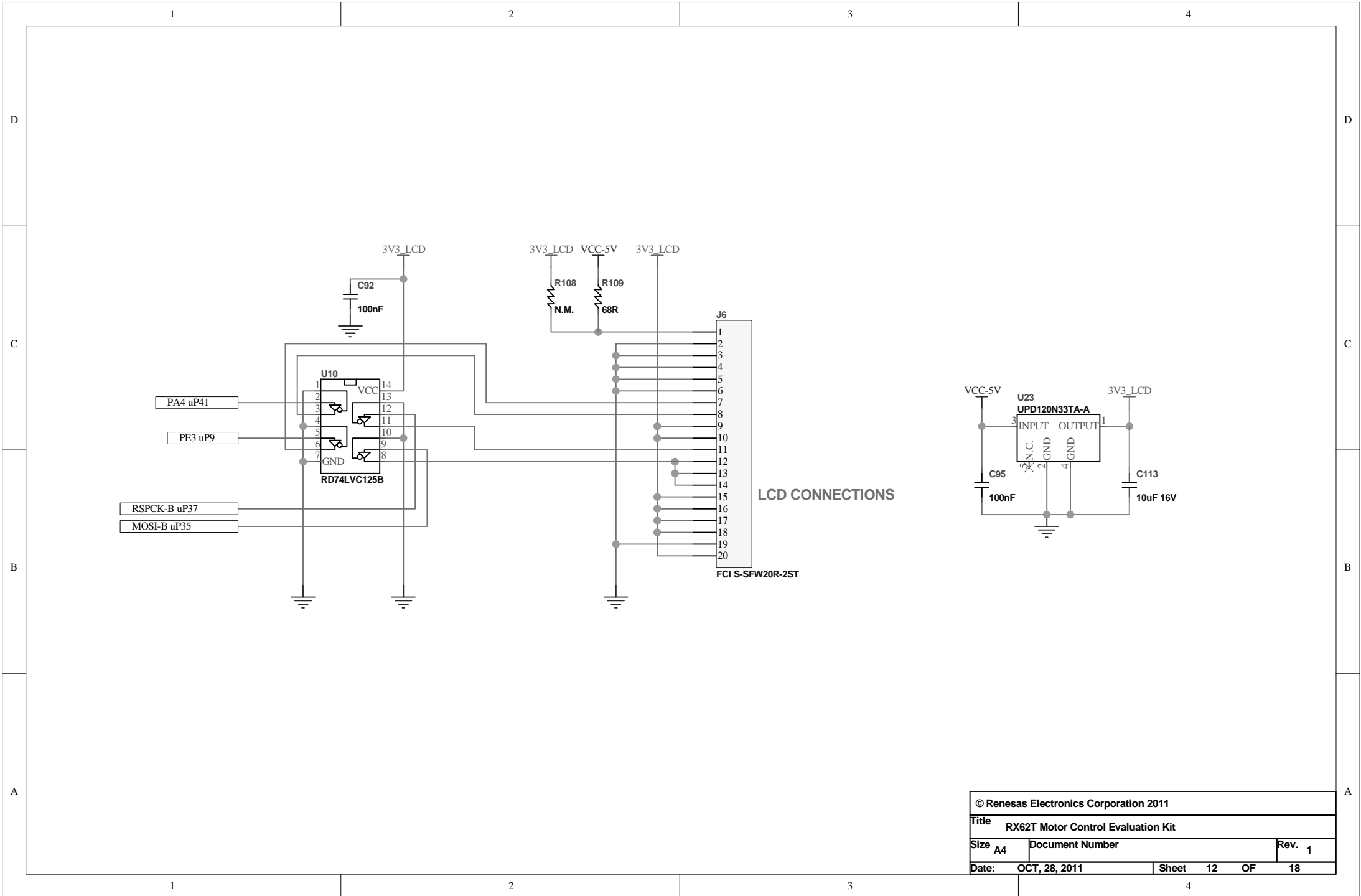
© Renesas Electronics Corporation 2011			
Title RX62T Motor Control Evaluation Kit			
Size A4	Document Number		Rev. 1
Date: OCT, 28, 2011	Sheet 9	OF 18	

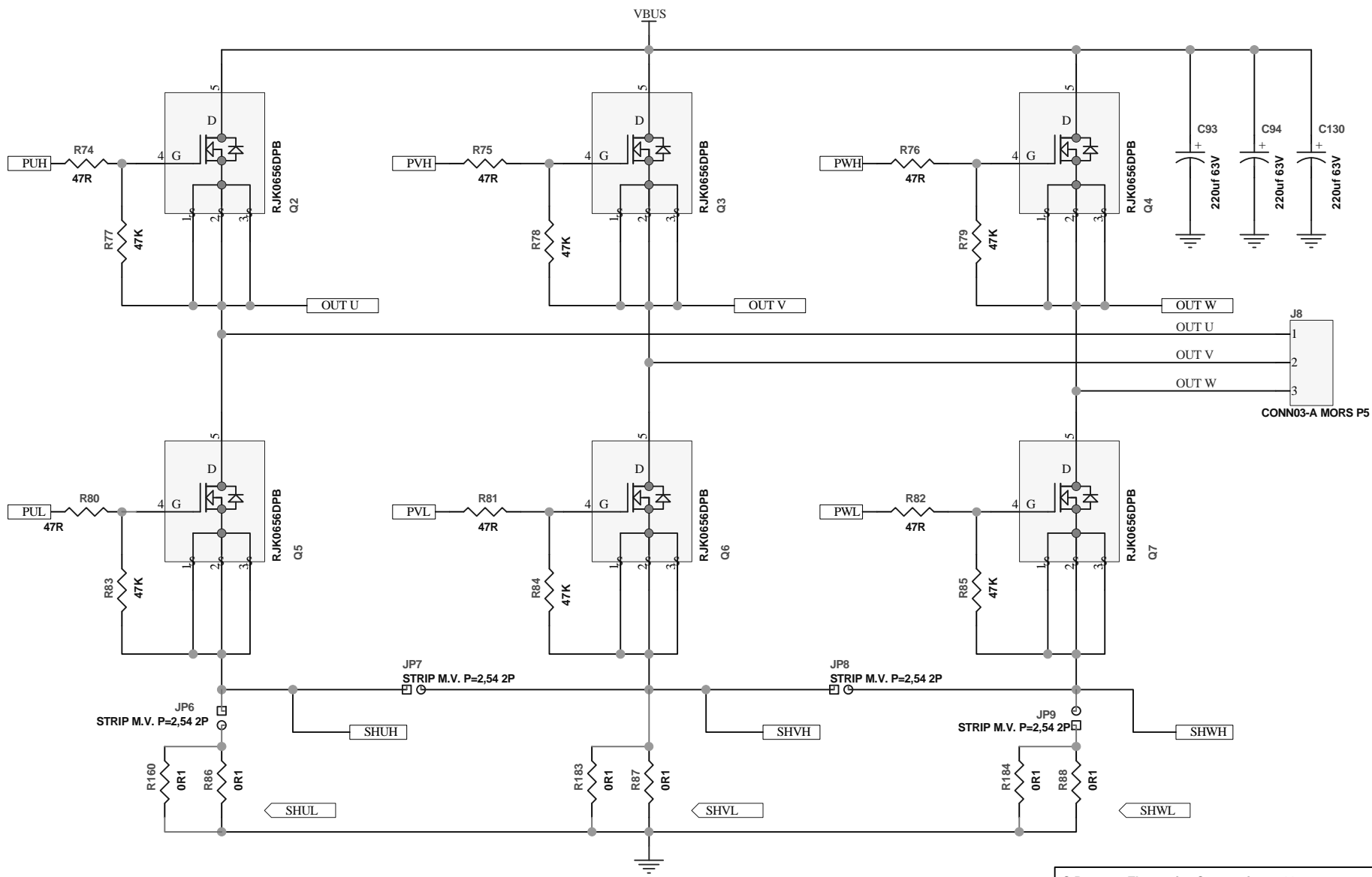


© Renesas Electronics Corporation 2011		
Title RX62T Motor Control Evaluation Kit		
Size A4	Document Number	Rev. 1
Date: OCT, 28, 2011	Sheet 10 OF	18

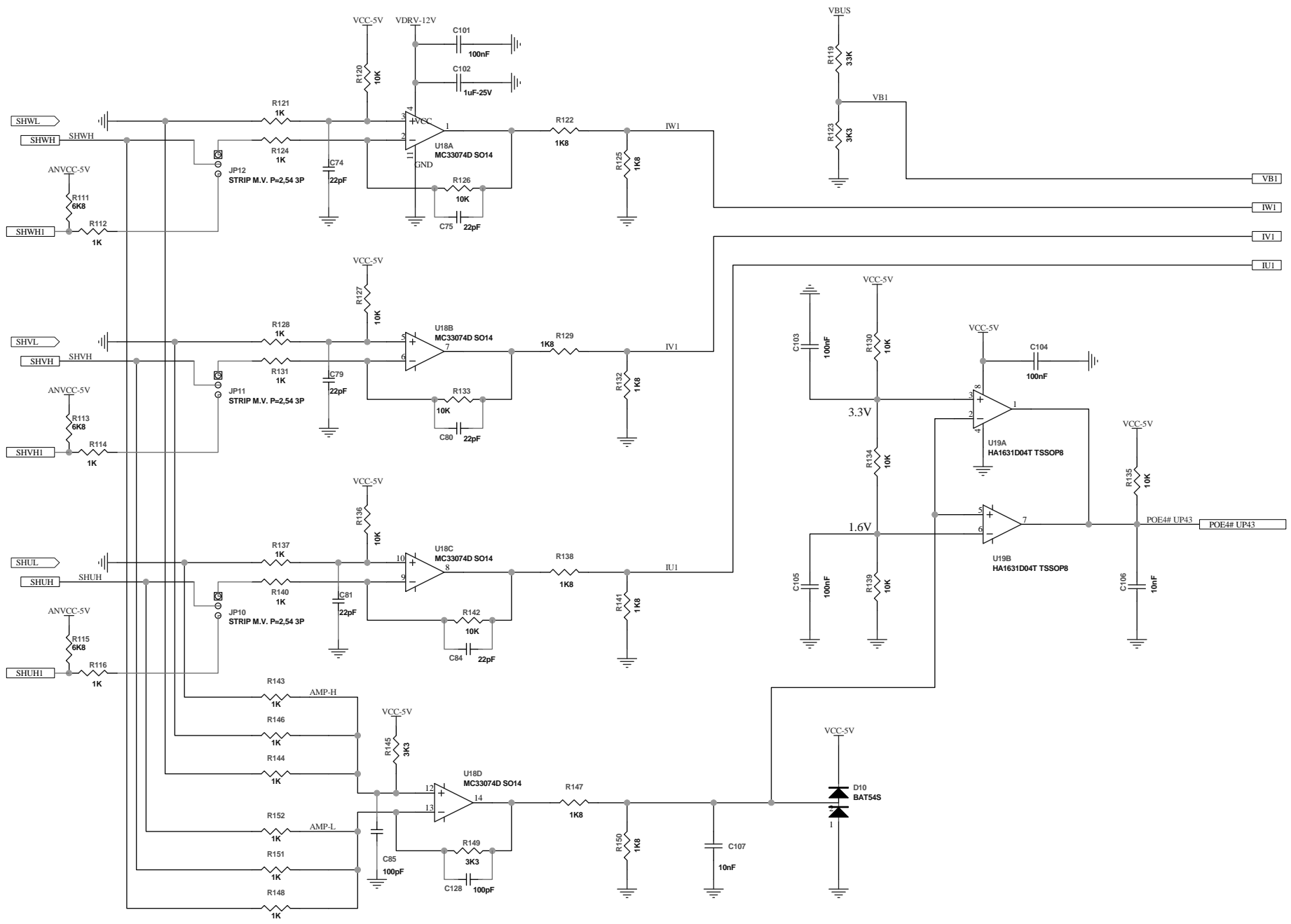


© Renesas Electronics Corporation 2011			
Title RX62T Motor Control Evaluation Kit			
Size A4	Document Number	Rev. 1	
Date: OCT, 28, 2011	Sheet 11	OF	18





© Renesas Electronics Corporation 2011			
Title RX62T Motor Control Evaluation Kit			
Size A4	Document Number	Rev. 1	
Date: OCT, 28, 2011	Sheet 13	OF	18



1

2

3

4

D

D

C

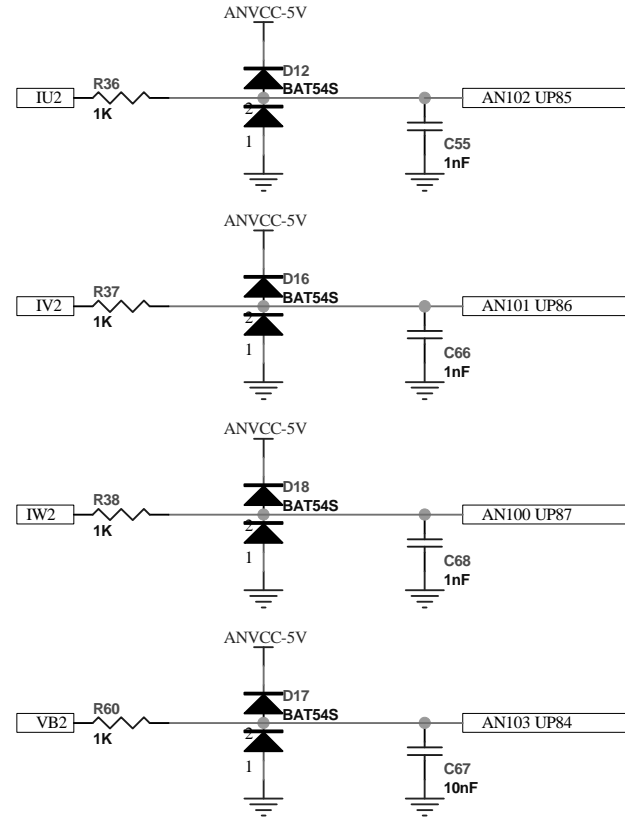
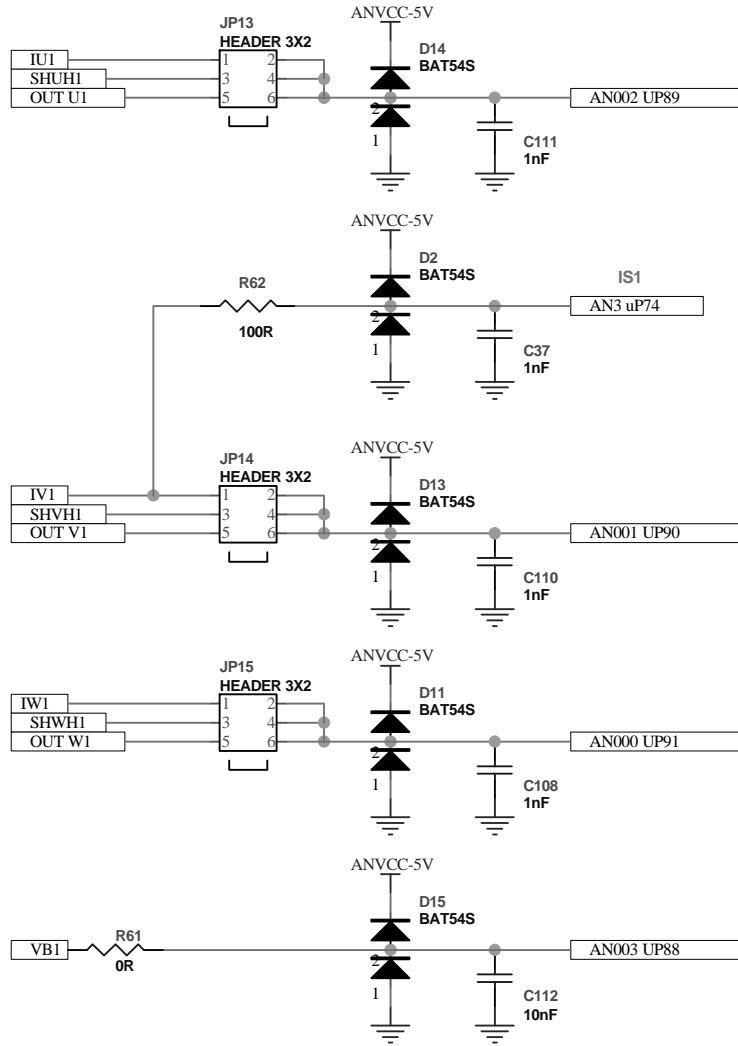
C

B

B

A

A



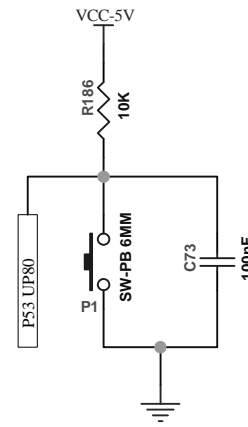
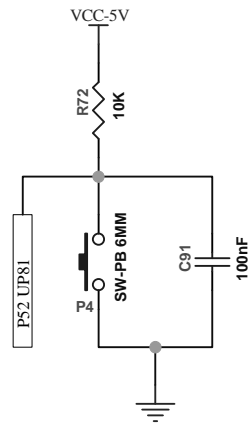
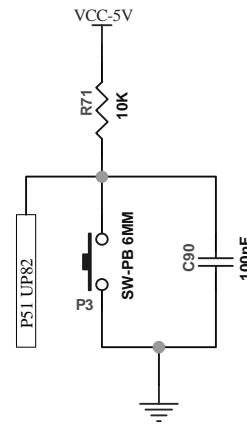
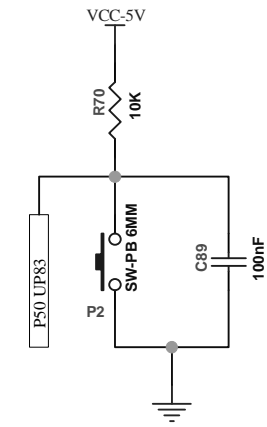
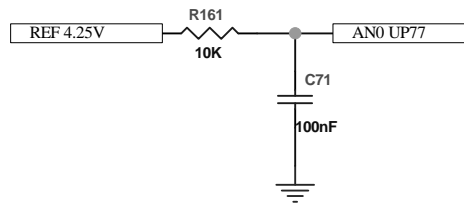
© Renesas Electronics Corporation 2011			
Title RX62T Motor Control Evaluation Kit			
Size A4	Document Number	Rev. 1	
Date: OCT, 28, 2011	Sheet 15	OF	18

1

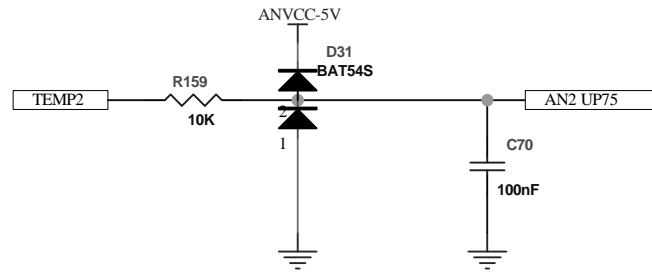
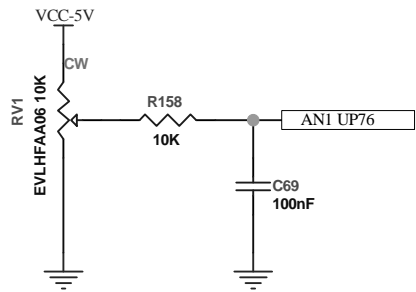
2

3

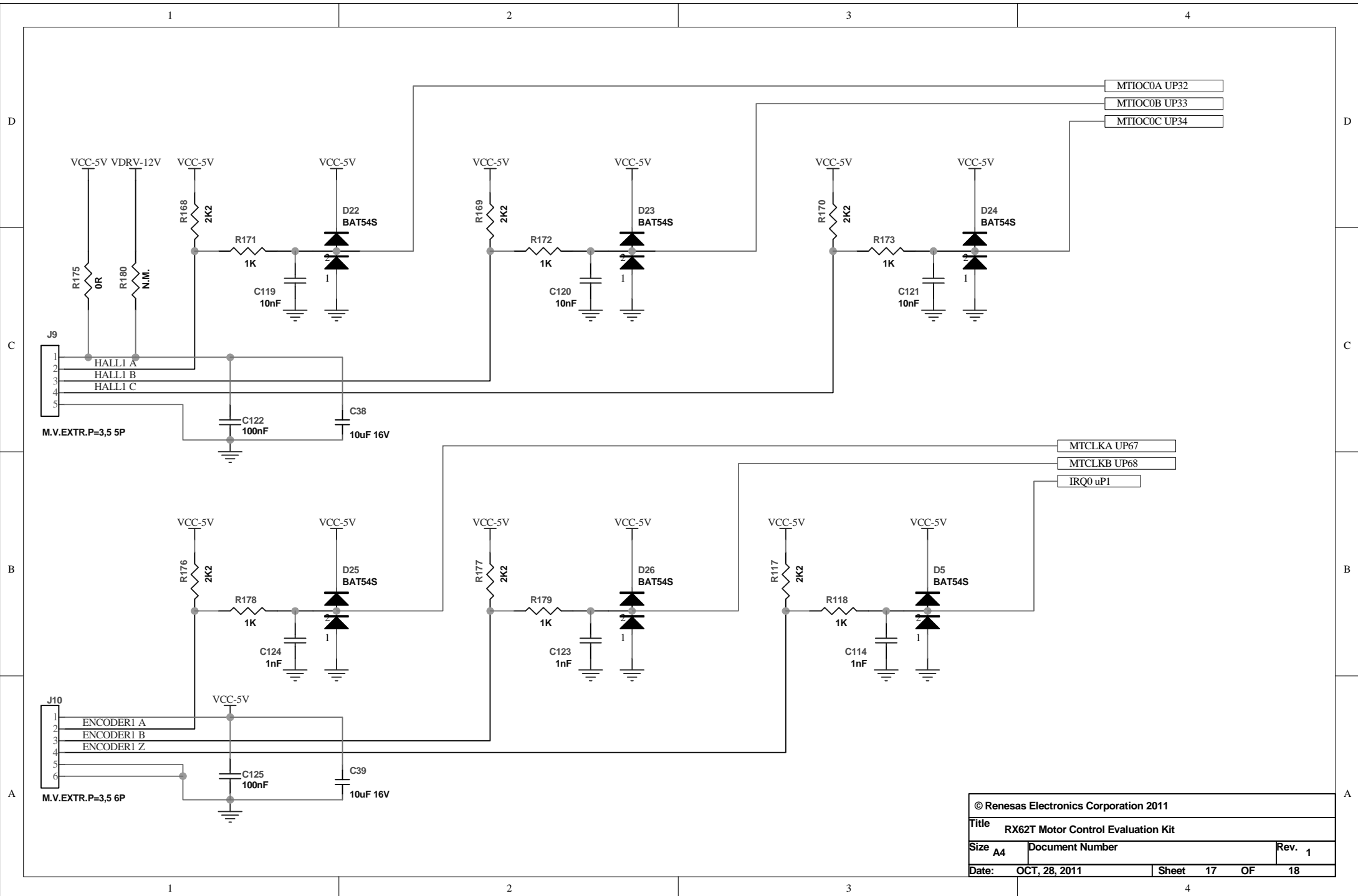
4



START/STOP FORWARD REVERSE MODE



© Renesas Electronics Corporation 2011		
Title RX62T Motor Control Evaluation Kit		
Size A4	Document Number	Rev. 1
Date: OCT, 28, 2011	Sheet 16 OF	18



© Renesas Electronics Corporation 2011			
Title RX62T Motor Control Evaluation Kit			
Size A4	Document Number	Rev. 1	
Date: OCT, 28, 2011	Sheet 17	OF	18

