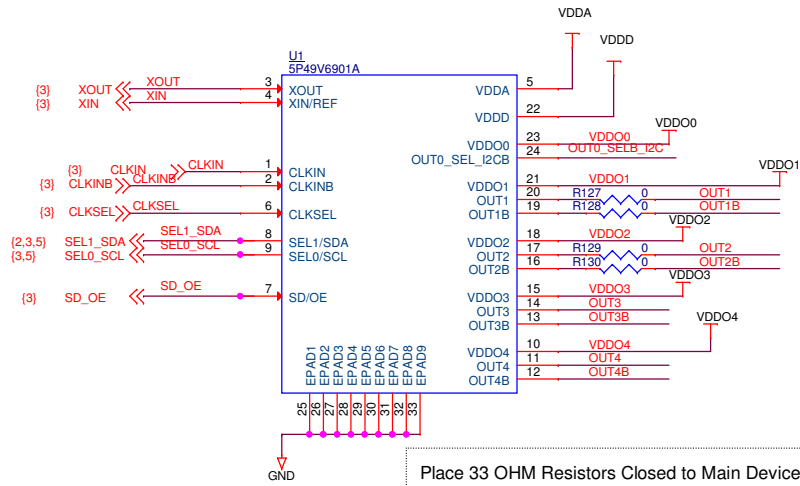
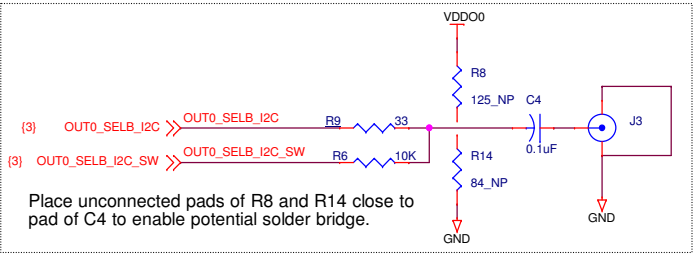


5P49V6901 CONNECTIONS

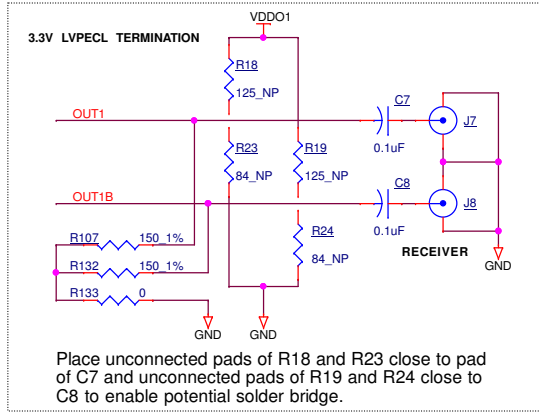


Place 33 OHM Resistors Closed to Main Device For CMOS and HCSSL TERMINATION
 Place R6=10K close to matched trace from R9 to C4
 Place AC Coupling Capacitors Close to SMA

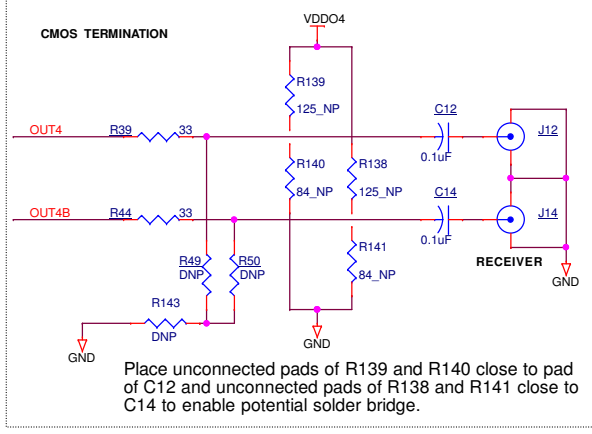
Place R37 & R43 33 OHM Resistors Closed to Main Device For HCSSL TERMINATION
 R45 & R46 Should Closer to the SMA



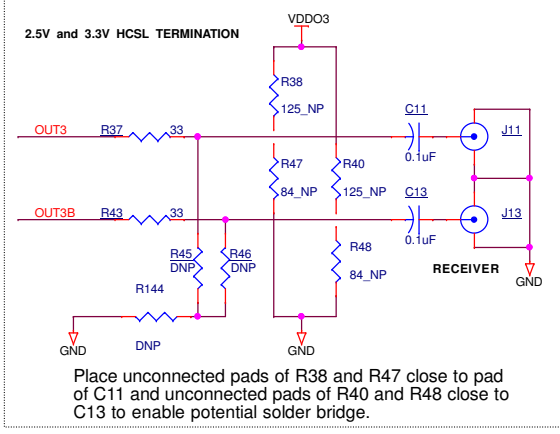
Place unconnected pads of R8 and R14 close to pad of C4 to enable potential solder bridge.



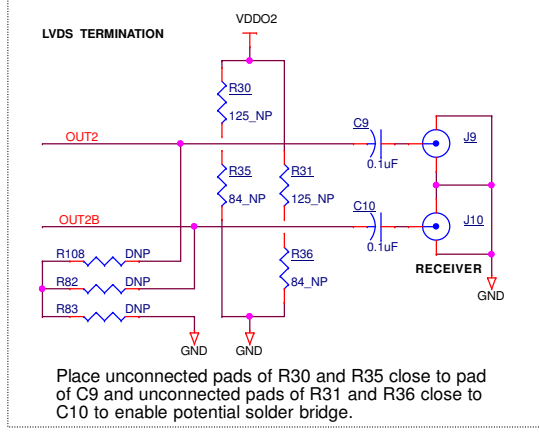
Place unconnected pads of R18 and R23 close to pad of C7 and unconnected pads of R19 and R24 close to C8 to enable potential solder bridge.



Place unconnected pads of R139 and R140 close to pad of C12 and unconnected pads of R138 and R141 close to C14 to enable potential solder bridge.

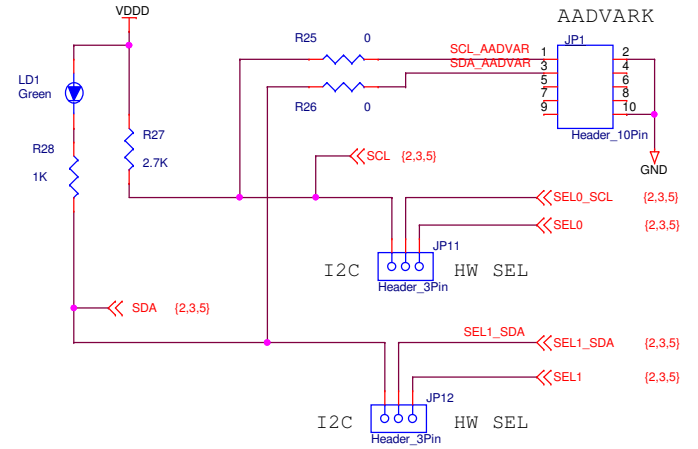
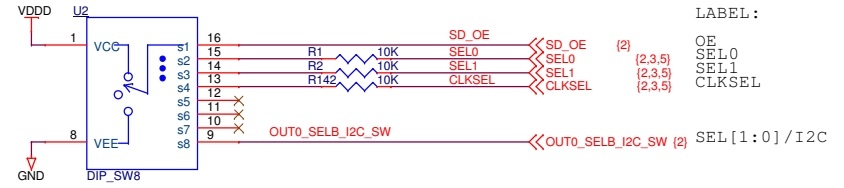
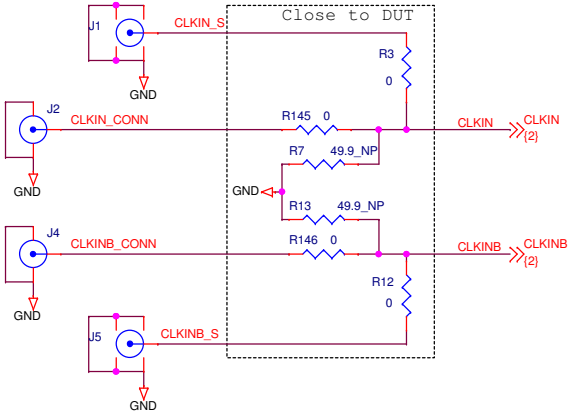
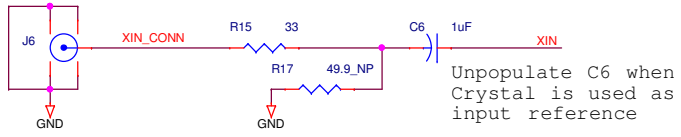
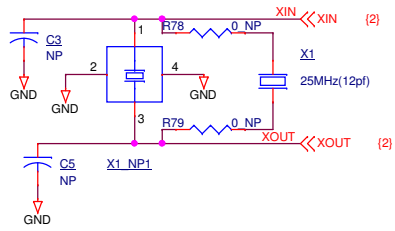


Place unconnected pads of R38 and R47 close to pad of C11 and unconnected pads of R40 and R48 close to C13 to enable potential solder bridge.



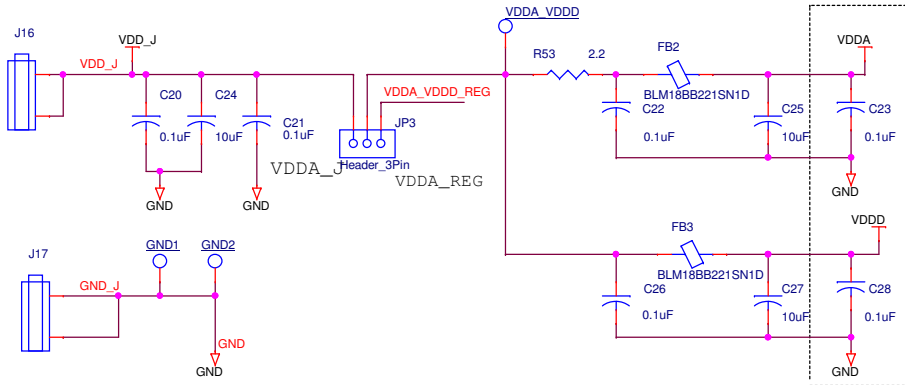
Place unconnected pads of R30 and R35 close to pad of C9 and unconnected pads of R31 and R36 close to C10 to enable potential solder bridge.

Title		5P49V6901 EVB revA		
Size B	Document Number		Rev 1	
Date:	Tuesday, August 18, 2015	Sheet	2	of 5



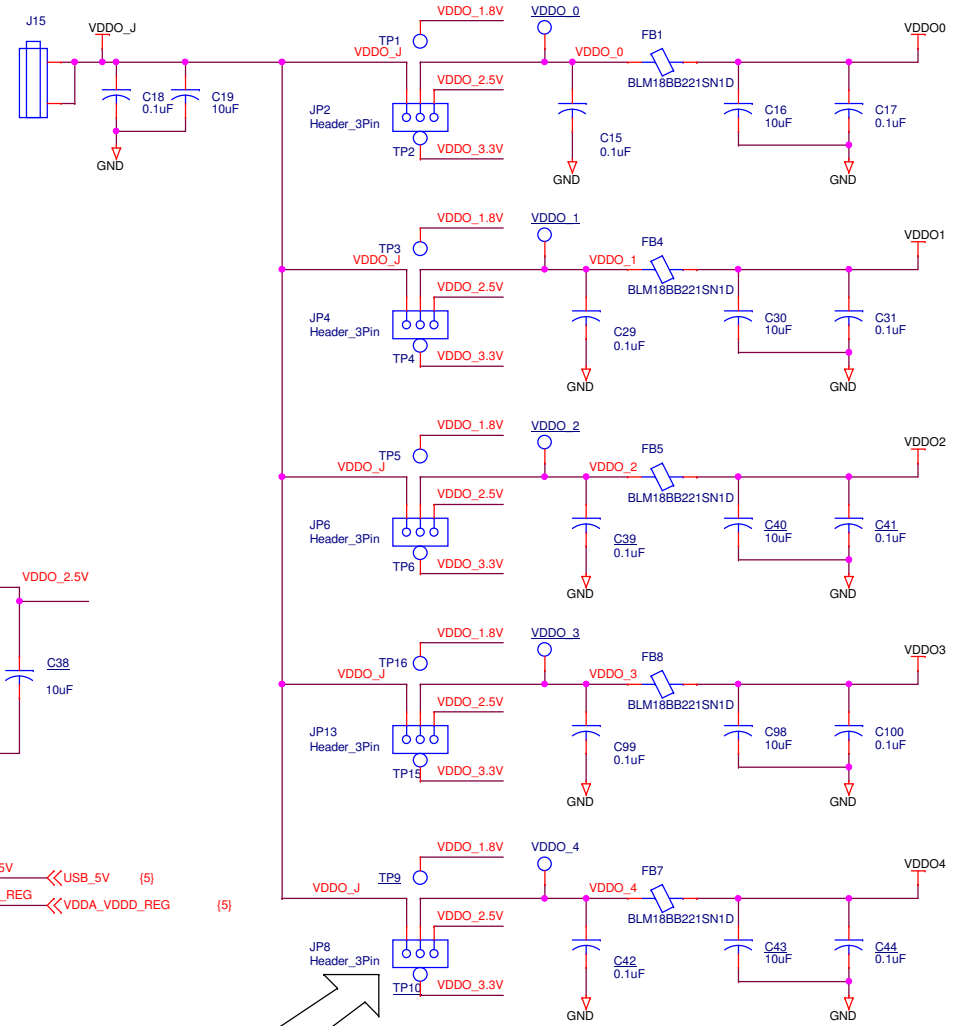
Title	
SP49V6901 EVB revA	
Size B	Document Number
	Rev 1
Date:	Monday, August 17, 2015
Sheet	3 of 5

LABEL AS INDICATED FOR 3-PIN HEADERS

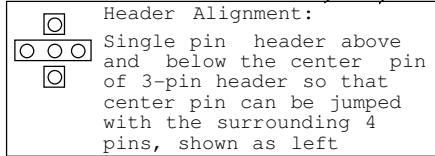
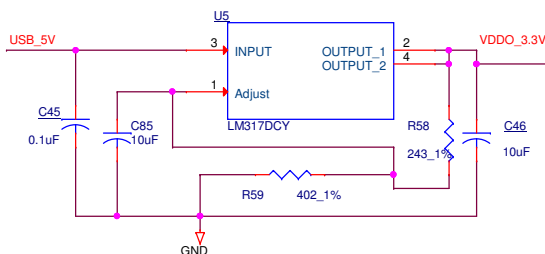
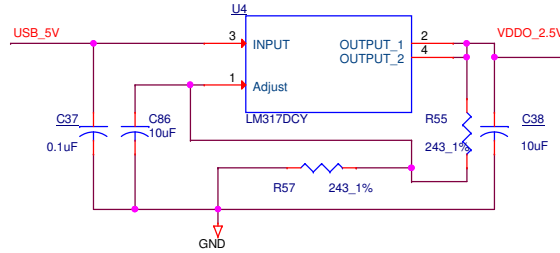
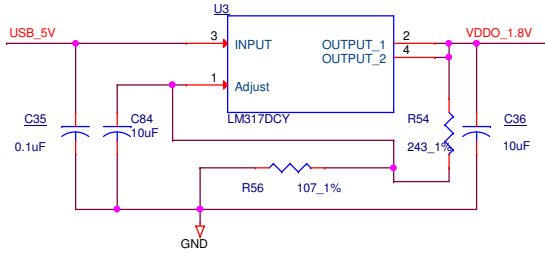


Locate near
DUT power pin

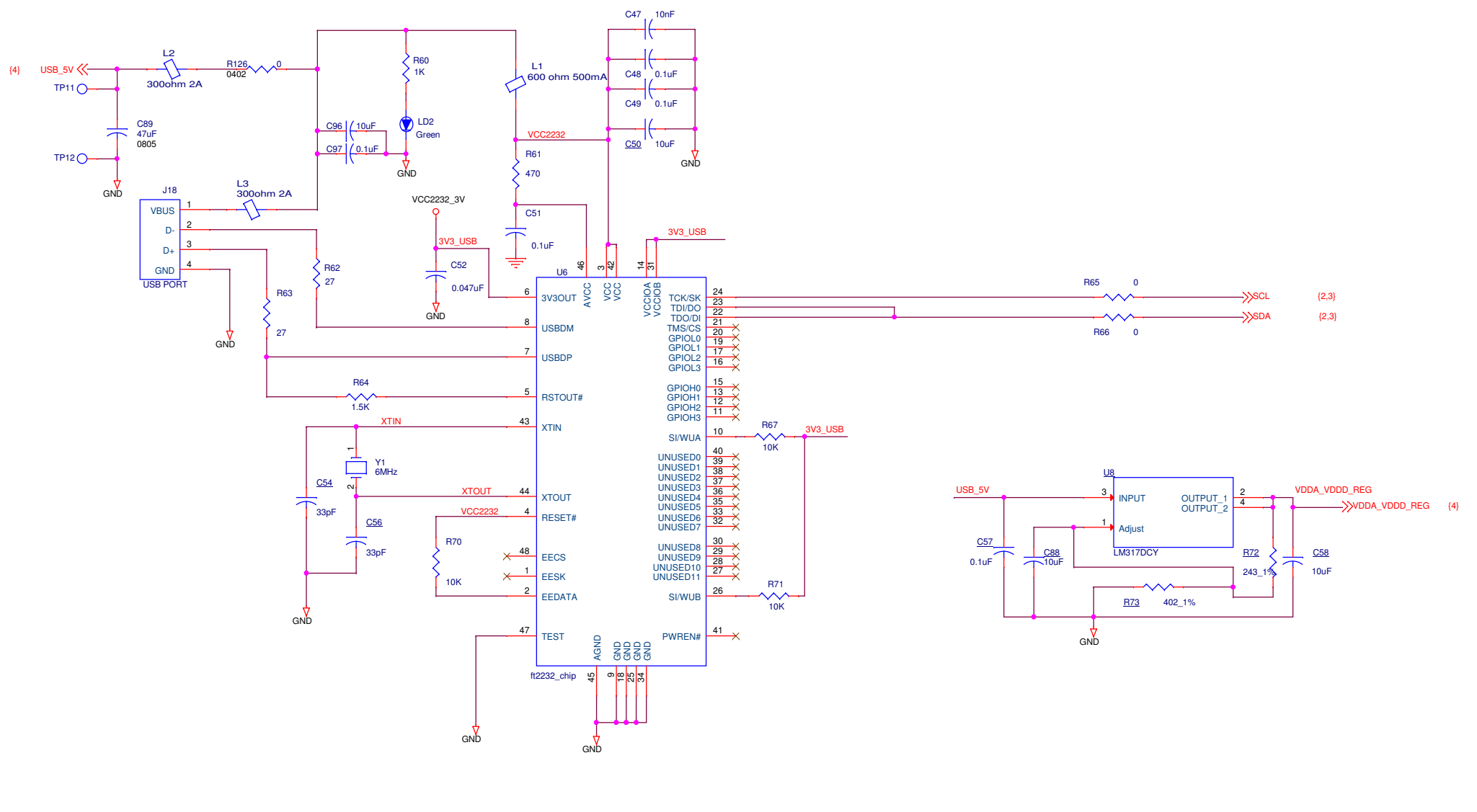
LABEL ON EACH RESPECTIVE PIN OF
HEADERS: 1.8V, 2.5V, 3.3V



USB_V5V << USB_V5V (5)
VDDA_VDDD_REG << VDDA_VDDD_REG (5)



Title		SP49V6901 EVB REVA	
Size B	Document Number		Rev 1
Date:	Wednesday, August 12, 2015	Sheet	4 of 5



Title		IDT_5P49V5908 EVM_BOARD_REV1	
Size	B	Document Number	305-PD-15-0209
Date:	Wednesday, August 12, 2015	Sheet	5 of 5
			Rev 1