

1

2

3

4

5

6

7

Tsi350 Evaluation Board

F

F

E

E

D

D

C

C

B

B

A

A

1

2

3

4

5

6

7

PCI 32bit Universal
Finger Connector Page 3

Tsi350
Page 2

J4
PCI Connector Page 6

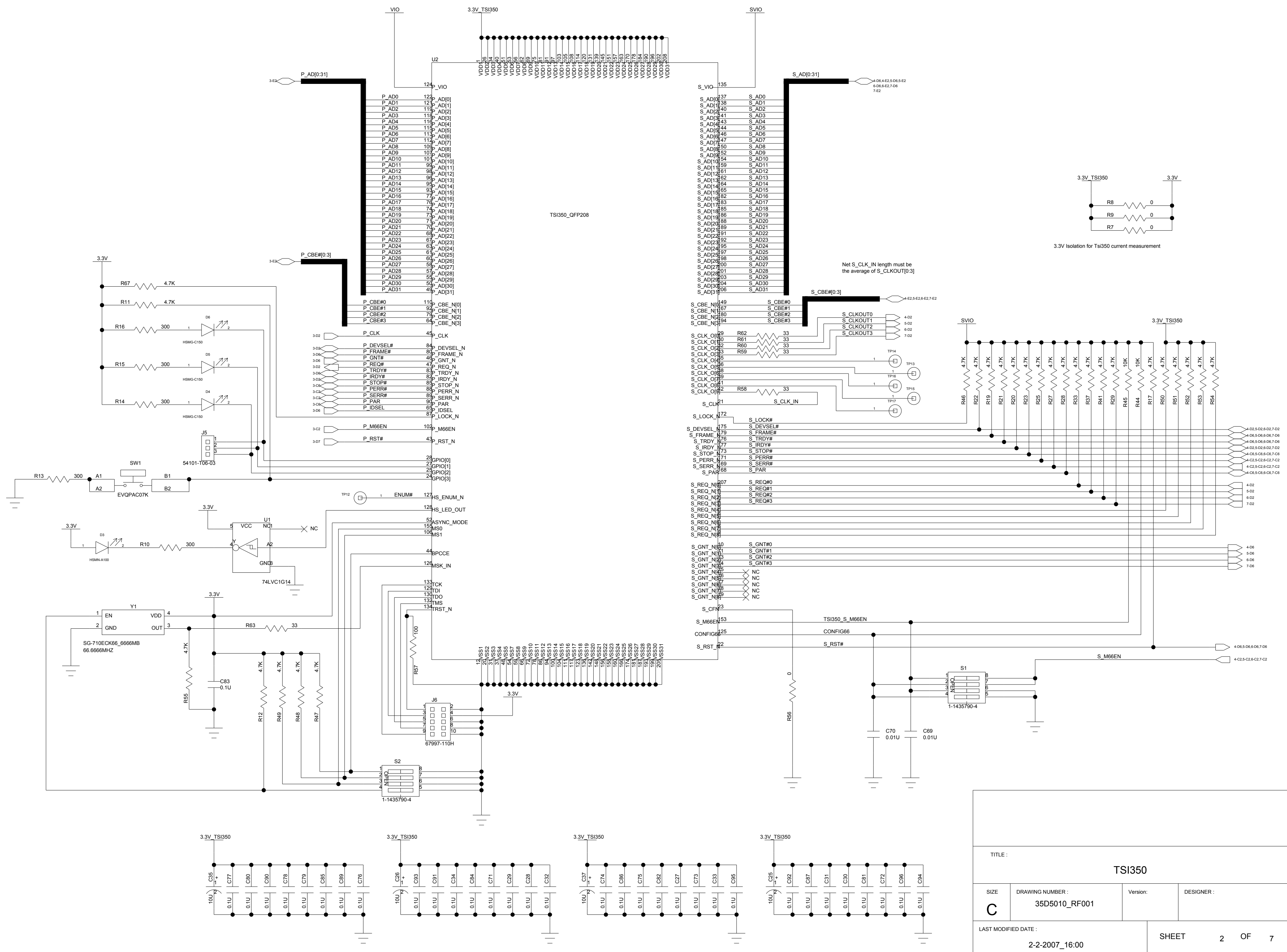
J3
PCI Connector Page 5

J2
PCI Connector Page 4

J1
Right Angle PCI Connector Page 7

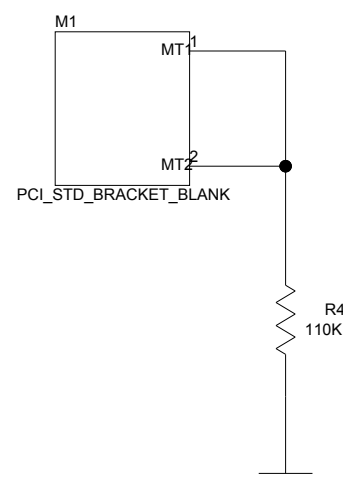
TITLE :				TSI350 EVALUATION BOARD		
SIZE	DRAWING NUMBER :	Version:	DESIGNER :			
C	35D5010_RF001					
LAST MODIFIED DATE :			SHEET 1 OF 7			
11-17-2006_9:38						

Tsi350 PCI-to-PCI BRIDGE

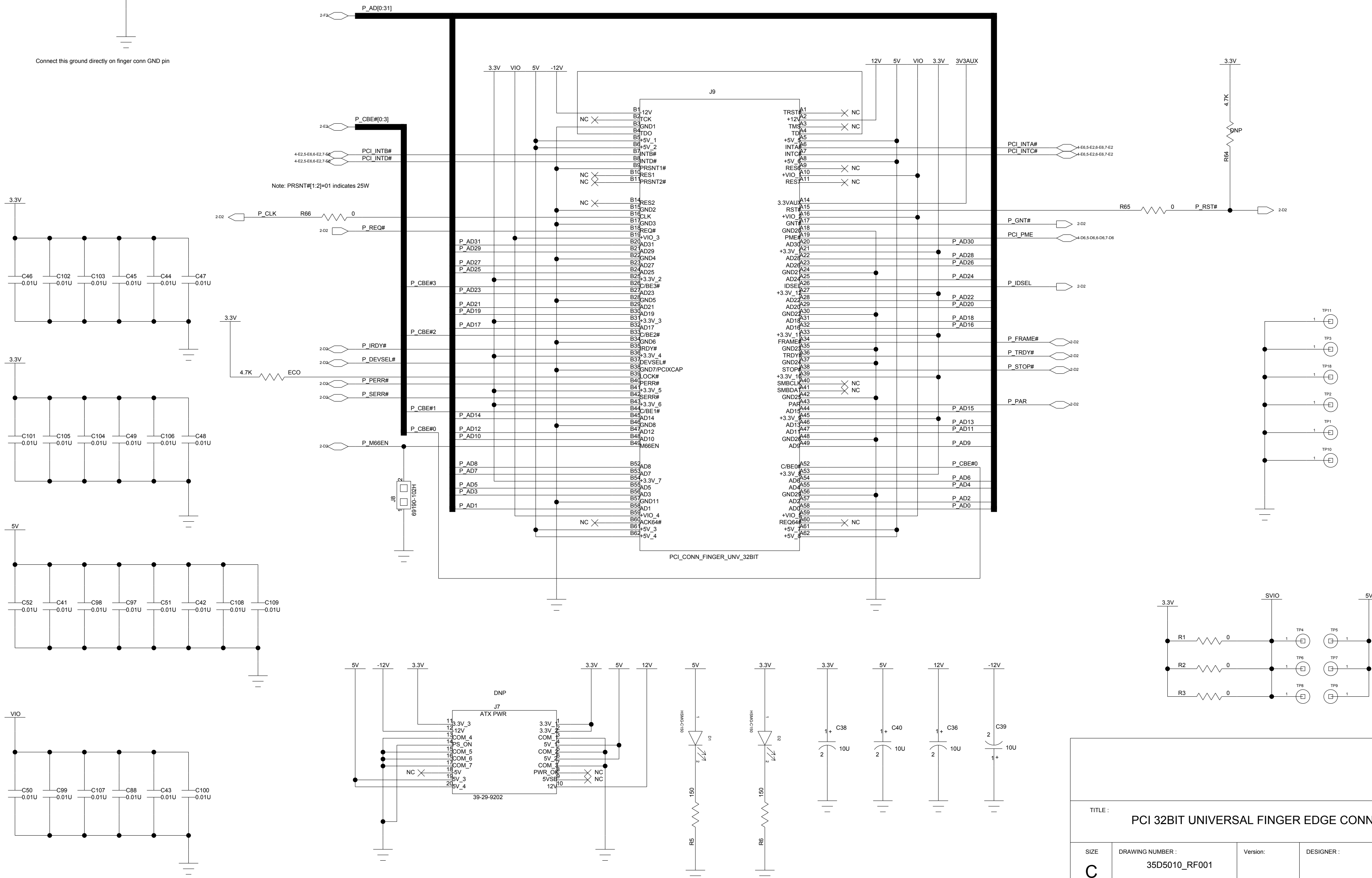


TITLE :				TSI350		
SIZE	DRAWING NUMBER :	Version:	DESIGNER :			
C	35D5010_RF001					
LAST MODIFIED DATE :			SHEET 2 OF 7			
2-2-2007_16:00						

PCI 32bit Universal Finger Edge Connector
To Tsi350's primary interface

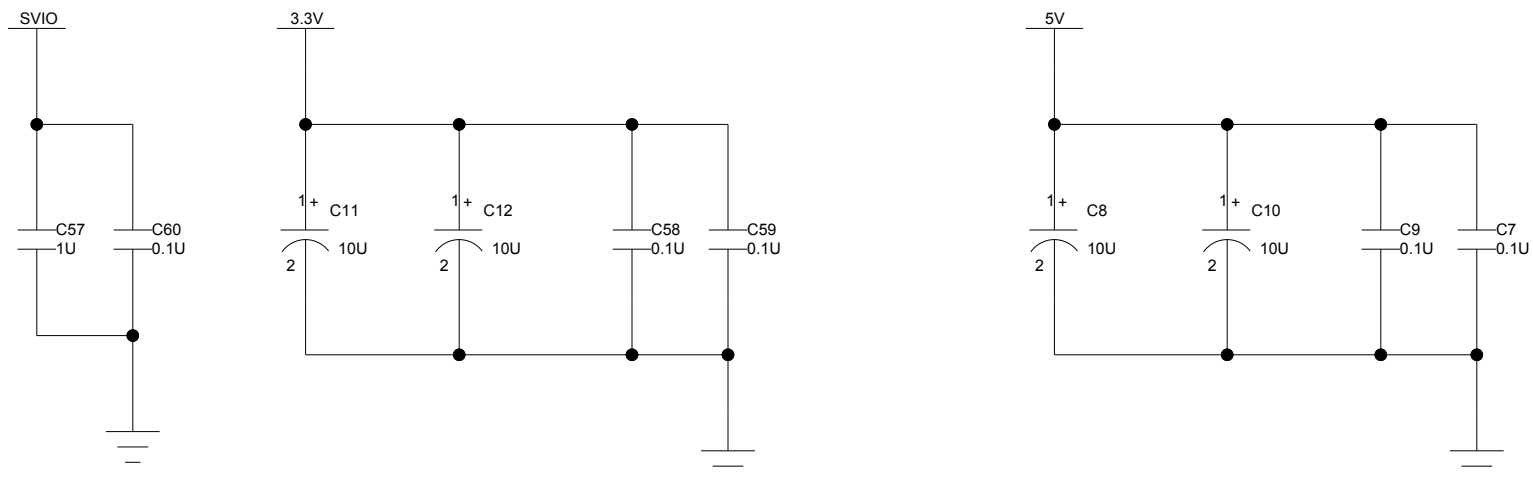
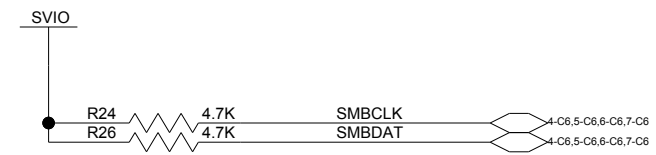
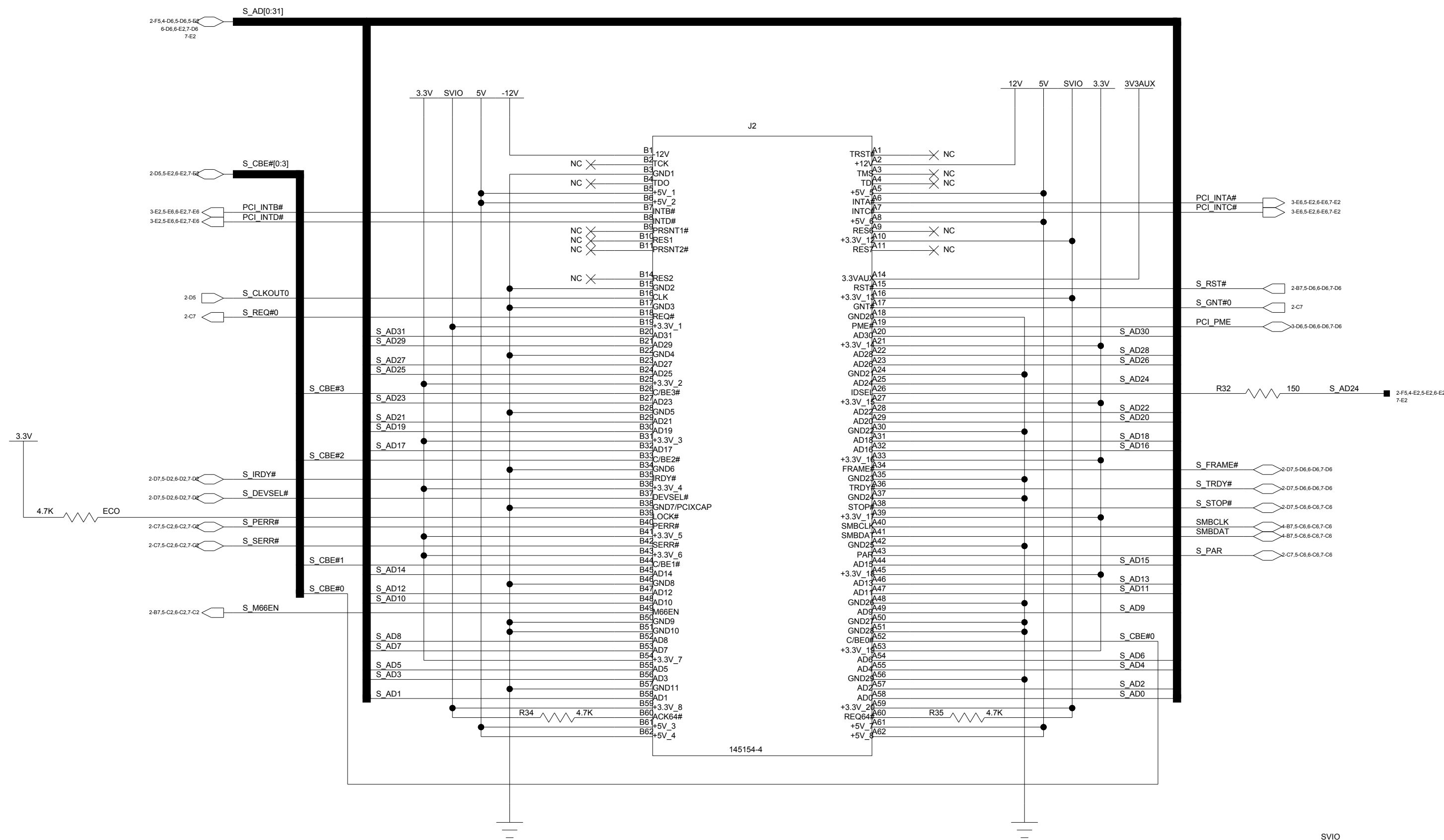


Connect this ground directly on finger conn GND pin



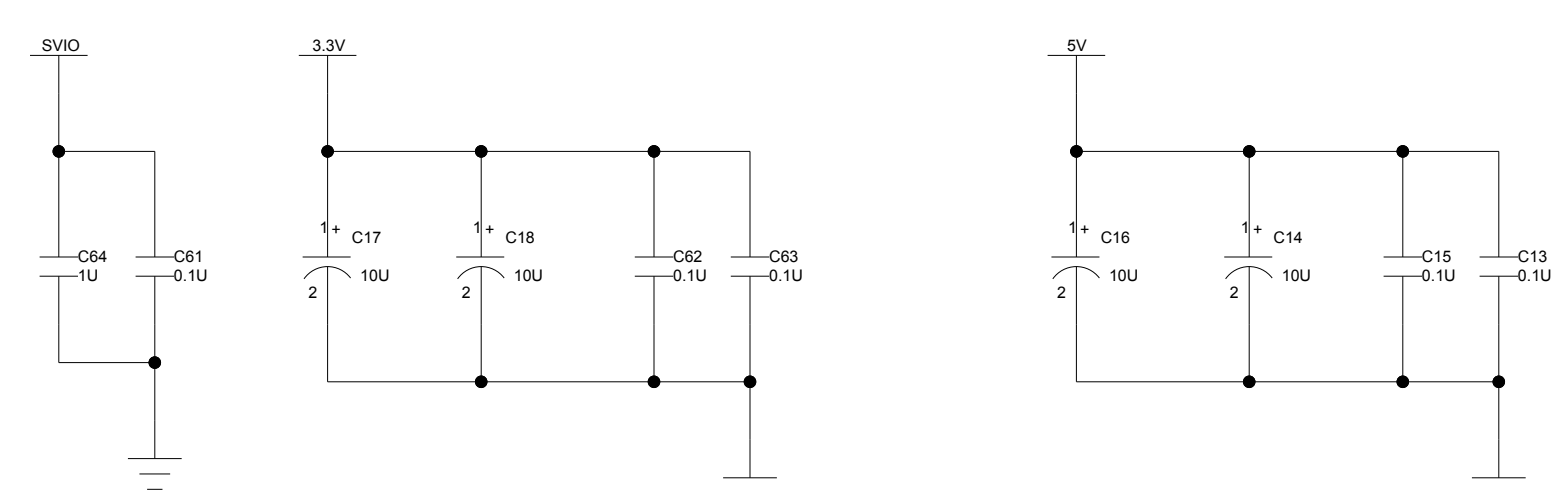
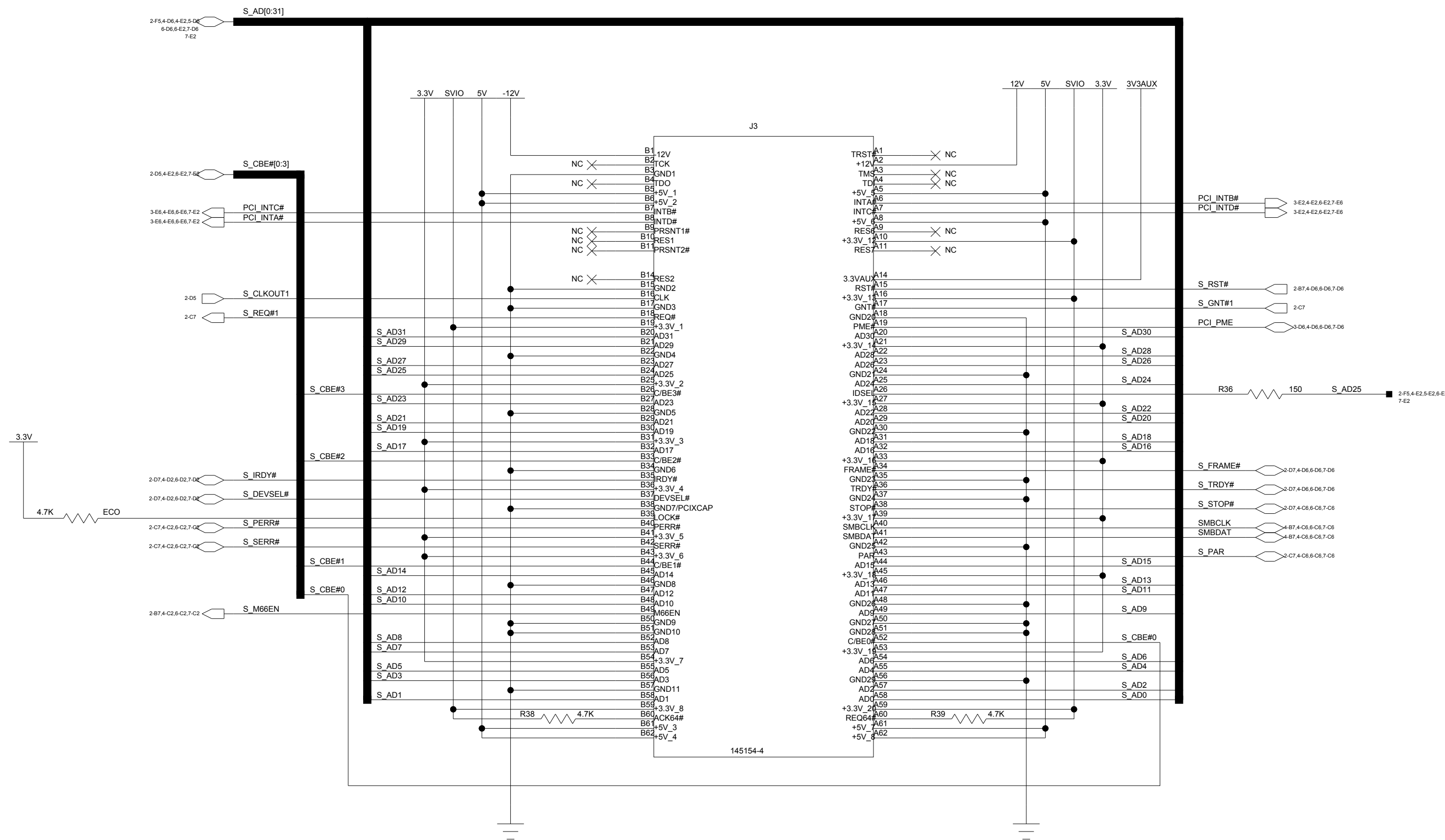
TITLE : PCI 32BIT UNIVERSAL FINGER EDGE CONNECTOR			
SIZE C	DRAWING NUMBER : 35D5010_RF001	Version:	DESIGNER :
LAST MODIFIED DATE : 5-17-2007_11:03		SHEET 3 OF 7	

PCI 3.3V 32Bits Thru-hole Connector



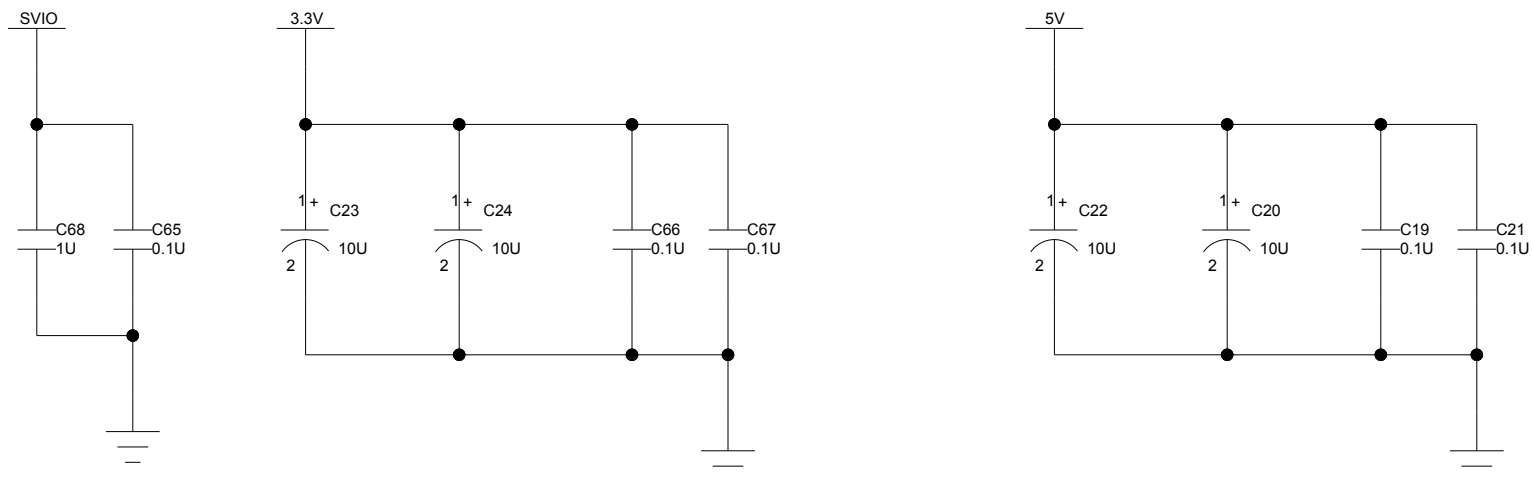
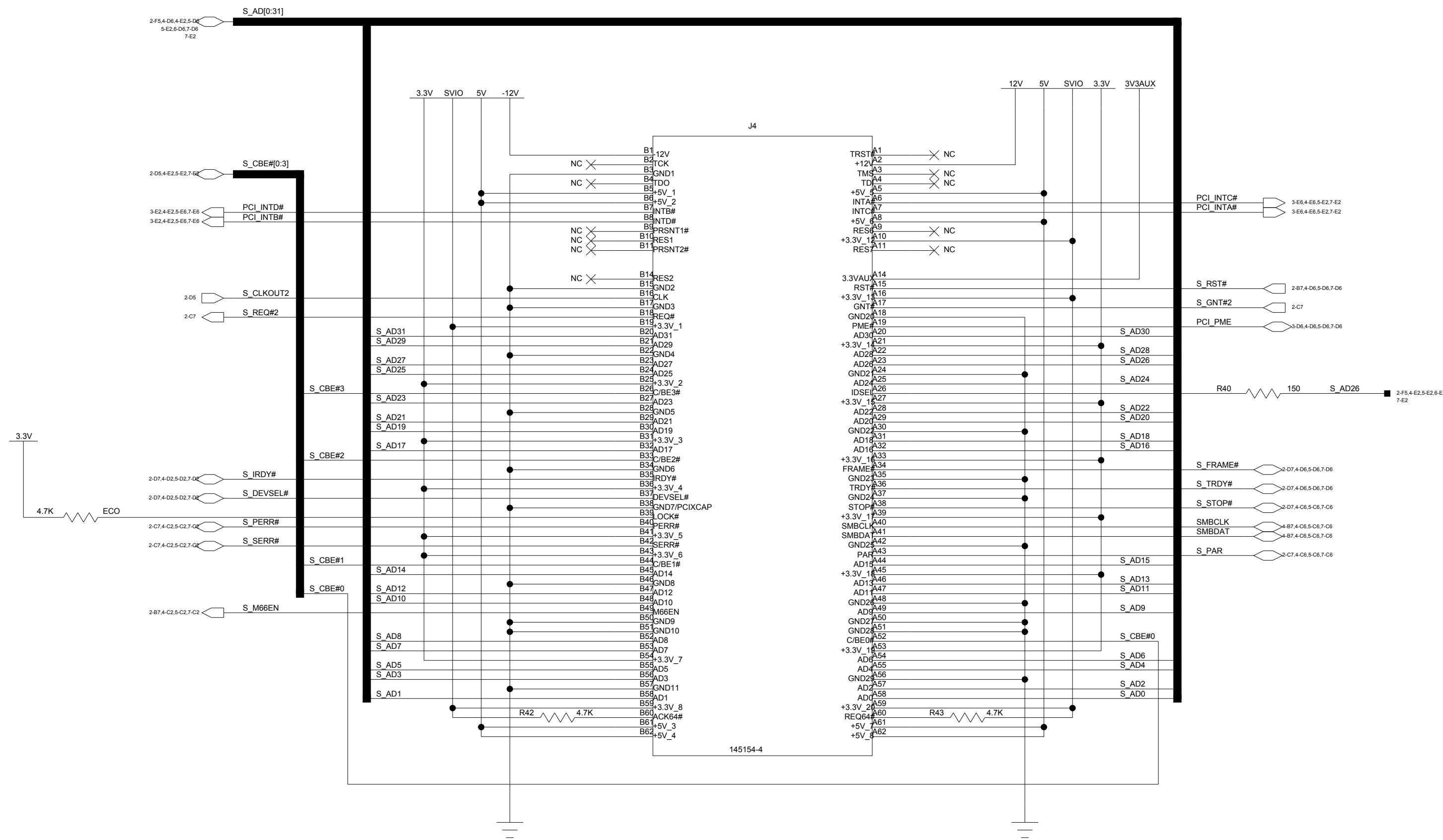
TITLE : PCI 3.3V 32BITS THRU-HOLE CONNECTOR			
SIZE C	DRAWING NUMBER : 35D5010_RF001	Version:	DESIGNER :
LAST MODIFIED DATE : 5-17-2007_11:03		SHEET 4 OF 7	

PCI 3.3V 32Bits Thru-hole connector



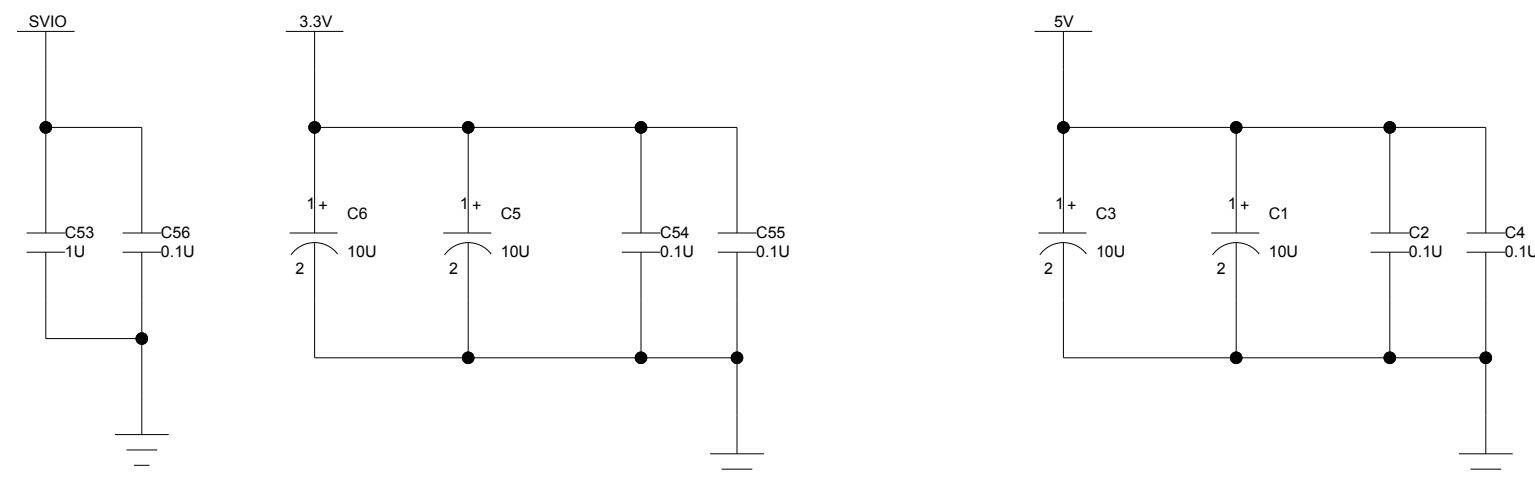
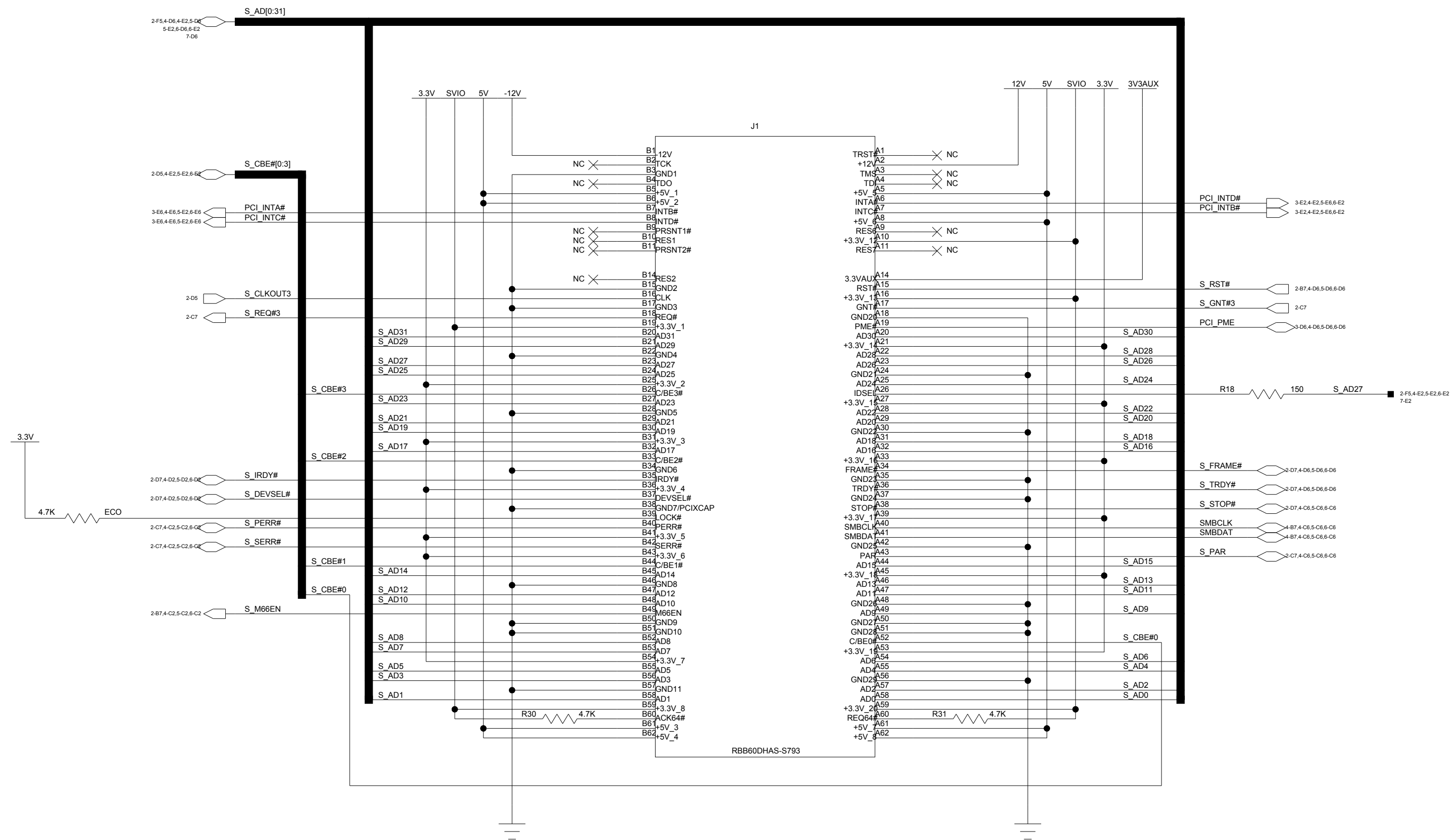
TITLE :			
PCI 3.3V 32BITS THRU-HOLE CONNECTOR			
SIZE	DRAWING NUMBER :	Version :	DESIGNER :
C	35D5010_RF001		
LAST MODIFIED DATE :			SHEET
5-17-2007_11:03			5 OF 7

PCI 3.3V 32Bits Thru-hole connector



TITLE : PCI 3.3V 32BITS THRU-HOLE CONNECTOR			
SIZE C	DRAWING NUMBER : 35D5010_RF001	Version :	DESIGNER :
LAST MODIFIED DATE : 5-17-2007_11:03		SHEET 6 OF 7	

PCI 3.3V 32Bit right angle edge connector



TITLE :			
PCI 3.3V 32BITS THRU-HOLE CONNECTOR			
SIZE	DRAWING NUMBER :	Version :	DESIGNER :
C	35D5010_RF001		
LAST MODIFIED DATE :			SHEET
5-17-2007_11:03			7 OF 7