

RL78/I1C (512KB) Fast Prototyping Board Schematic

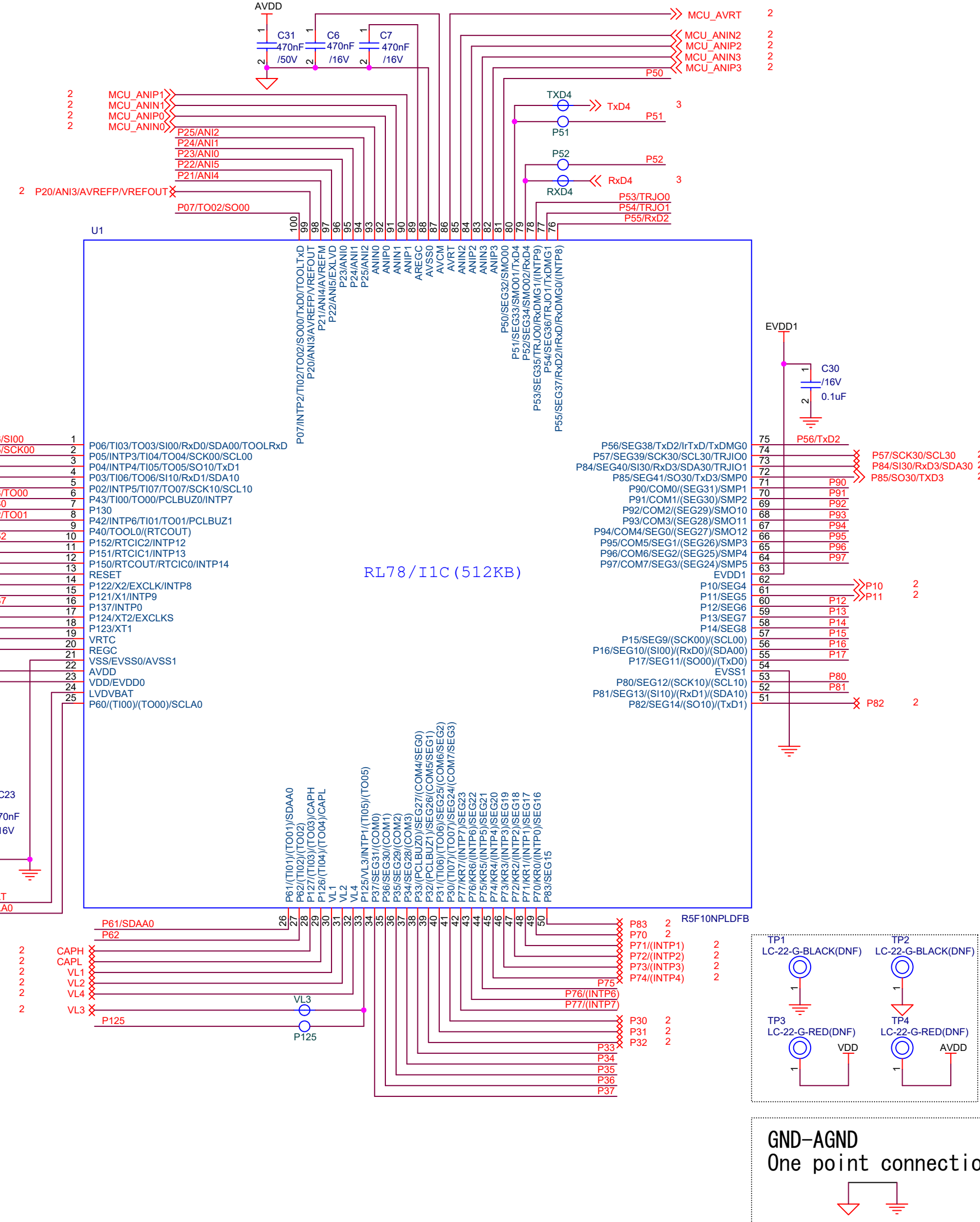
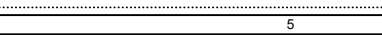
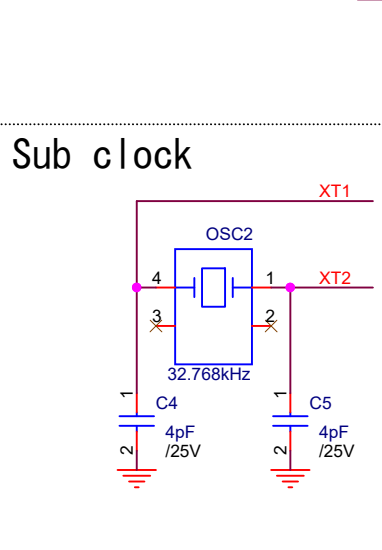
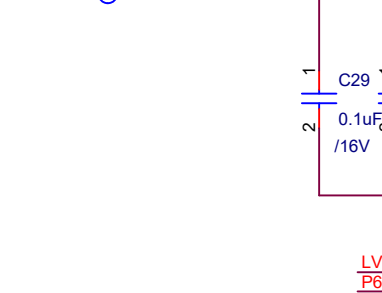
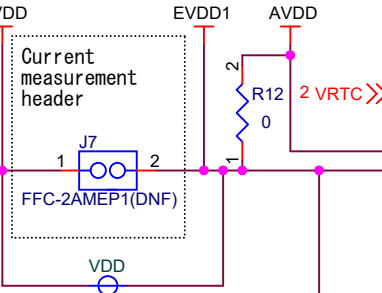
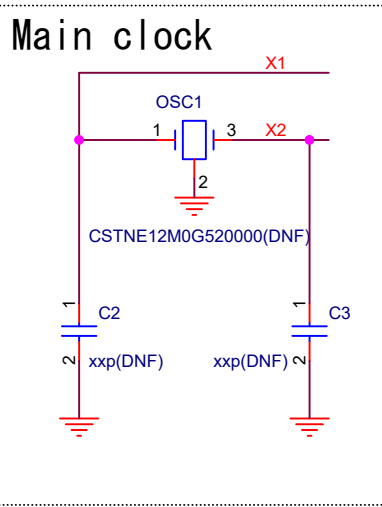
Product No:RTK5RL10N0CPL000BJ

Document No:R20UT4948EJ Rev 1.00

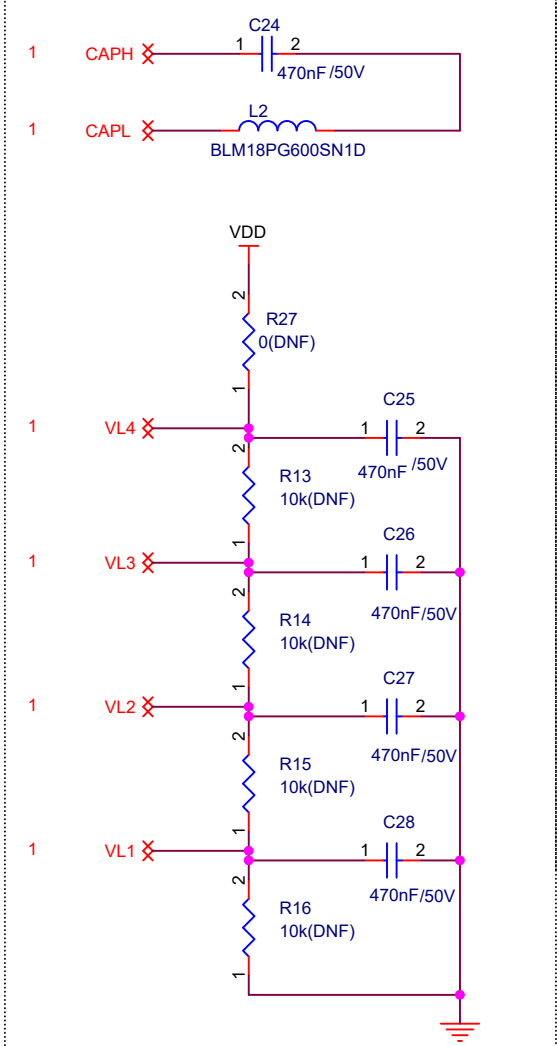
Page 1 : CPU, Arduino UNO R3 I/F, MCU Header, OSC

Page 2 : Pmod I/F, LED, SW, VREFOUT etc.

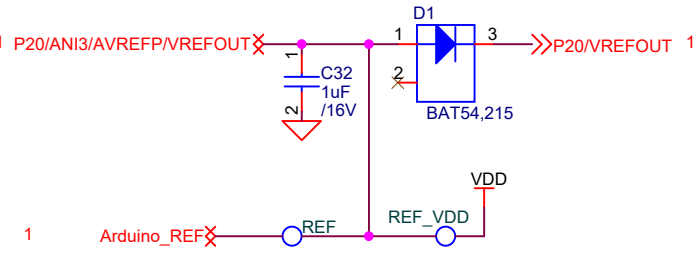
Page 3 : LDO, Select SW



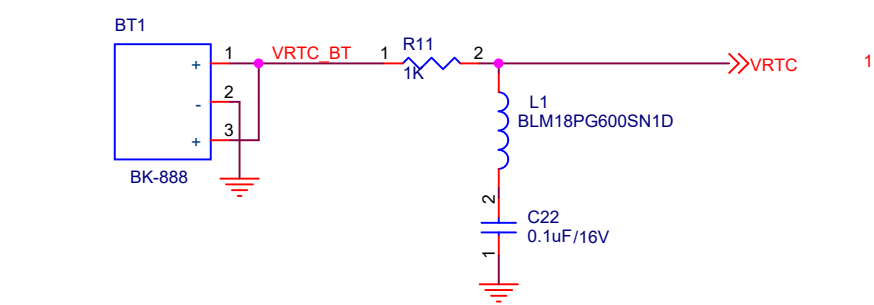
LCD CONFIGURATION CIRCUITRY



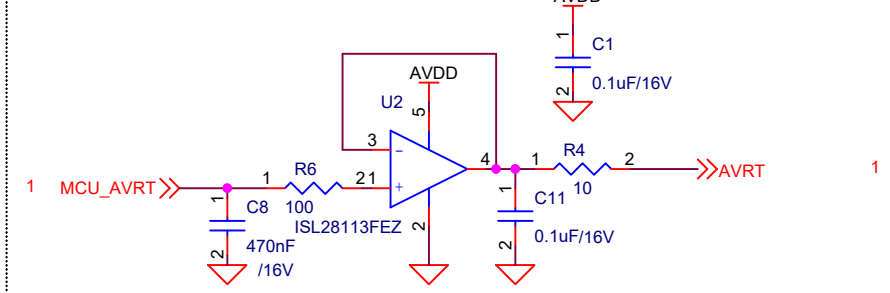
VREFOUT



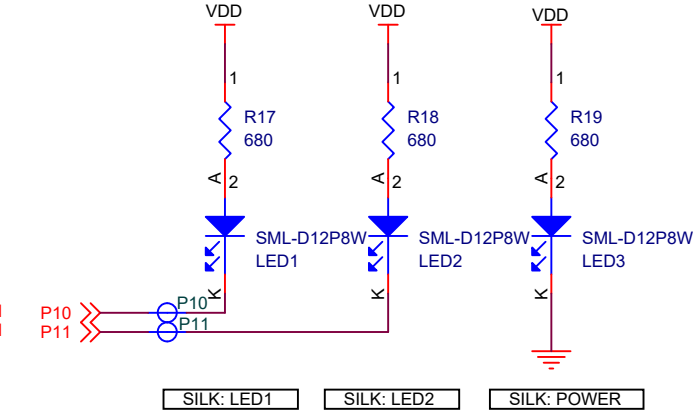
Coin cell battery



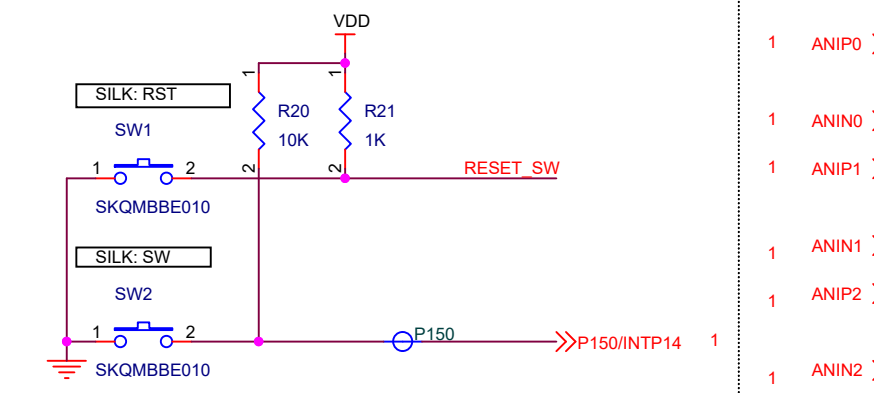
AVRT



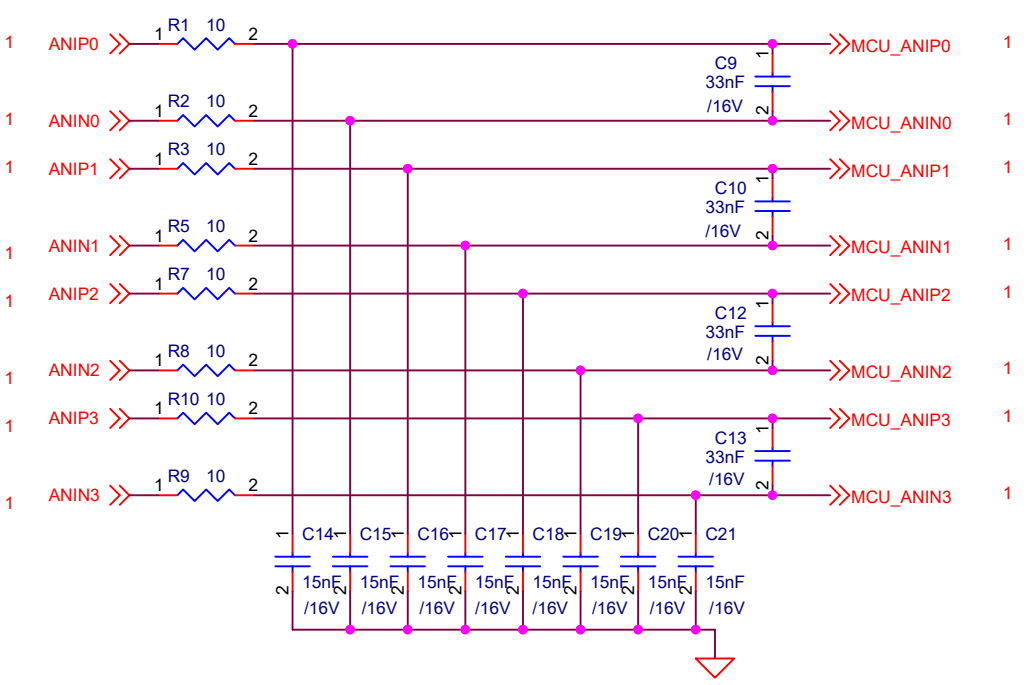
LED



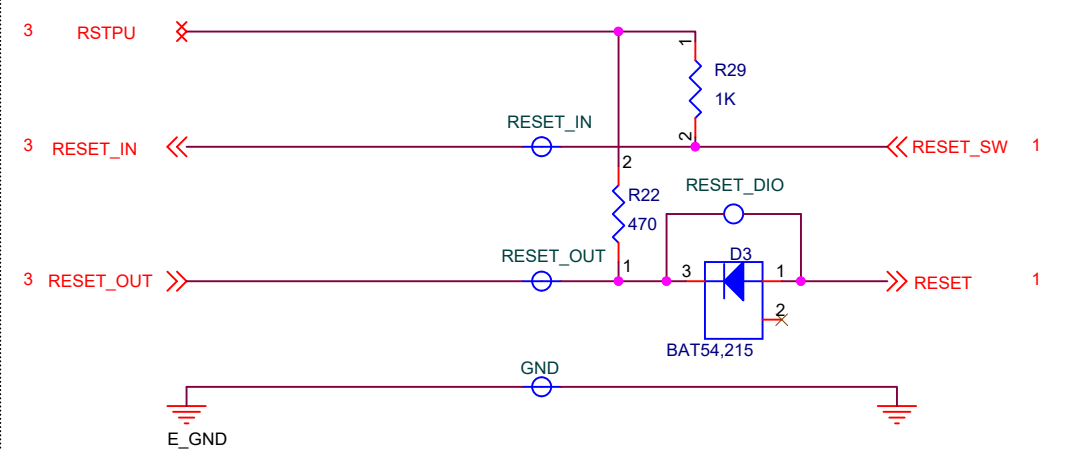
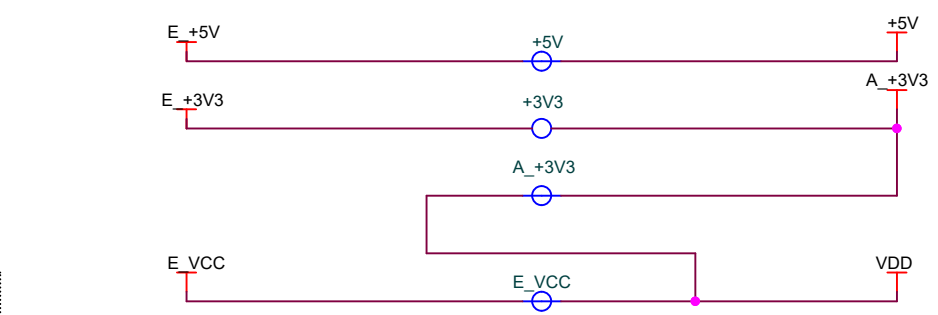
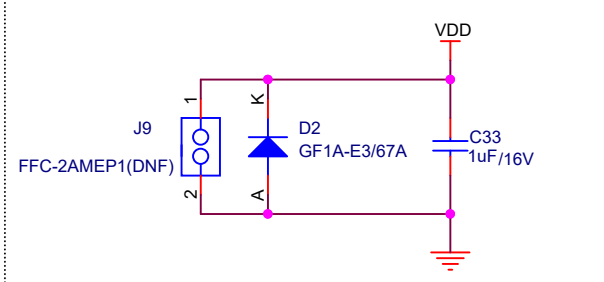
SW



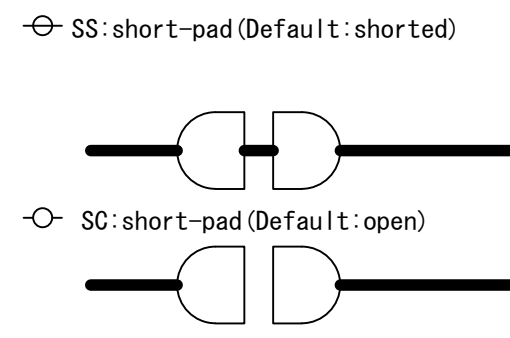
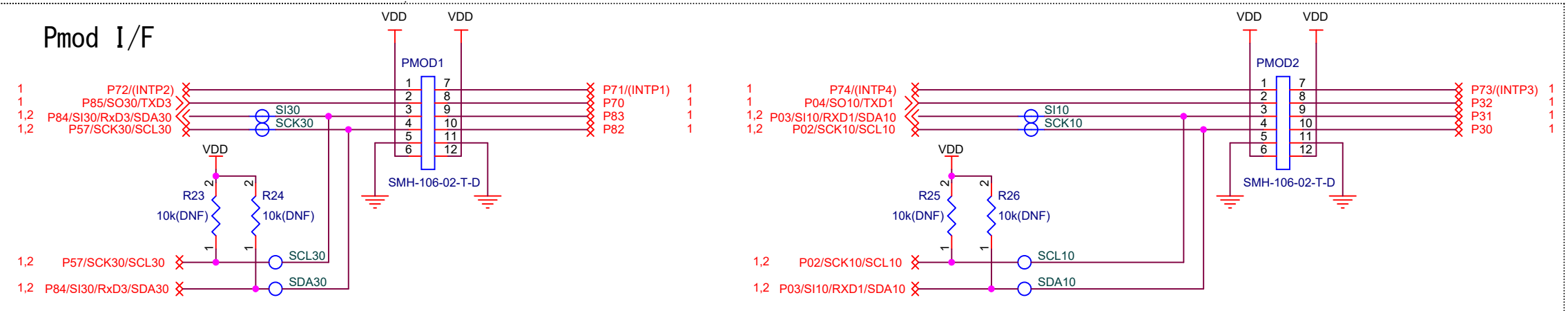
Antialiasing filter



External power-supply header



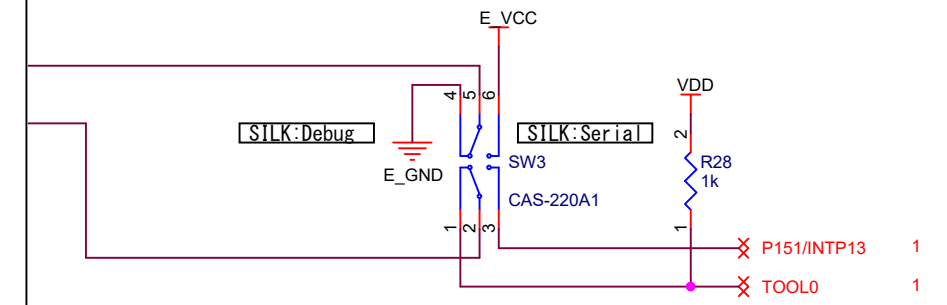
Pmod I/F



Shielded the line by GND
X1, X2, XT1, XT2, RESET, RESET_SW
Thicken the power line
VDD, AVDD, EVDD2, REGC, +5V, VIN, AREGC, A_+3V3, E_VCC, E_+5V, VIN, E_VBUS, E_+3V3, VRTC, VRTC_BT
Shield the line with AGND as twisted pair
MCU_ANIPx - MCU_ANINx, ANIPx - ANINx

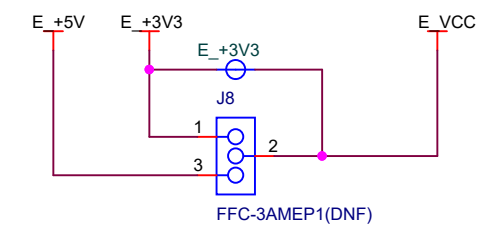
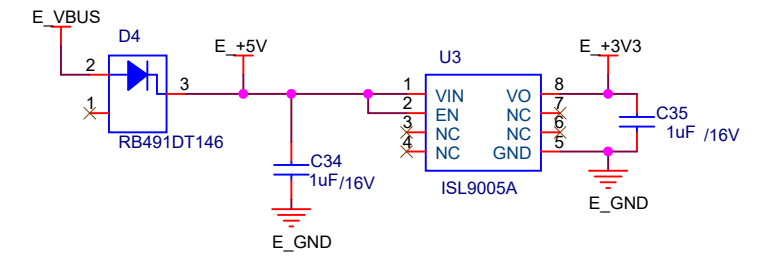
RENESAS		Renesas Electronics Corporation	
Title RTK5RL10N0CPL000BJ			
Size A3	Document Number R20UT4948EJ		Rev 1.00
Date: Friday, March 26, 2021	Sheet 2 of 3		

Renesas Confidential Emulator Circuit



Select SW(SW3)

SW Position	MODE
1Pin	Debug/Programming
3Pin	Serial



1-2Short : VDD=3.3V
 2-3Short : VDD=5.0V (VBUS)
 (E_+3V3 PAD=CUT)
 OPEN : VDD=3.3V (Default)