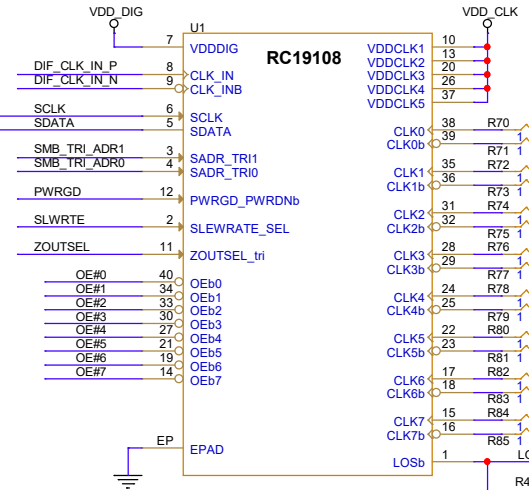


When in 85-ohm option, use 7.5-ohm series resistor and place it close to driver/output pin. Then use diff 100-ohm transmission lines. Or use diff 85-ohm transmission lines without series resistor.

When in 33-ohm option, use 33-ohm series resistor and place it close to driver/output pin. Then use SE 50-ohm or diff 100-ohm transmission lines



Output driver can be configured 33/85/100-ohm diff impedance and internally terminated. Following examples are 100-ohm.

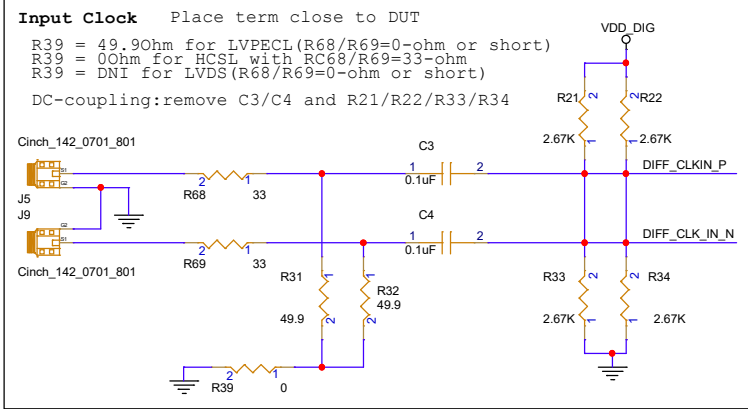
(1) DC-coupled to Rcvr with 100-ohm internal term

(2) AC-coupled to Rcvr with 100-ohm internal term. DC-bias may be added depending Rcvr

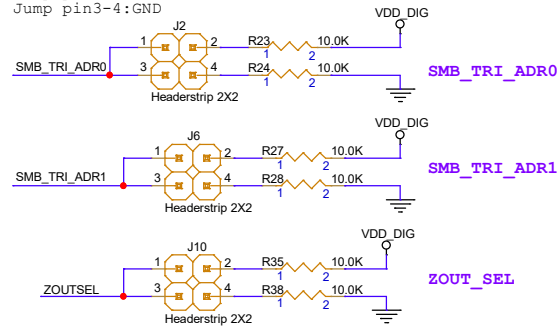
(3) DC-coupled to Rcvr with out internal term

Diff impedance 33/85/100ohm
10" diff pair from OUT to Rcvr

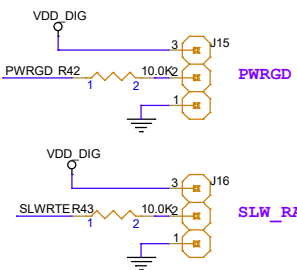
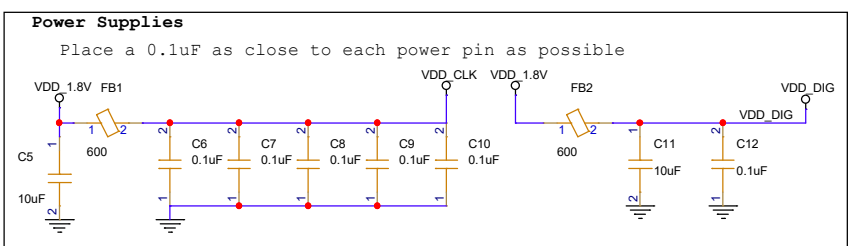
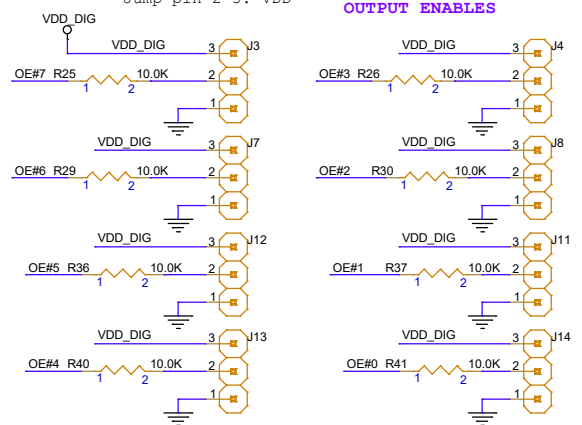
Serial resistors:
0-ohm:
When 100-ohm driver configured
7.5-ohm:
When 85-ohm driver configured



For all 4-header jumpers:
Jump pin 1-2: VDD
Jump pin1-2, and 3-4: MID
Jump pin3-4: GND

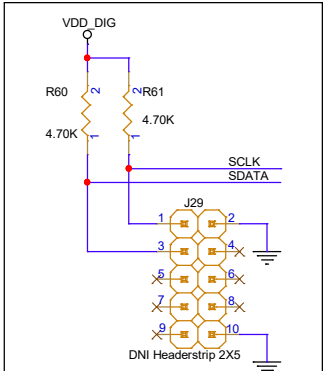


For all 3-header jumpers:
Jump pin 1-2: GND
Jump pin 2-3: VDD



RENESAS Renesas
1140 West Warner Rd.
Tempe, AZ 85284

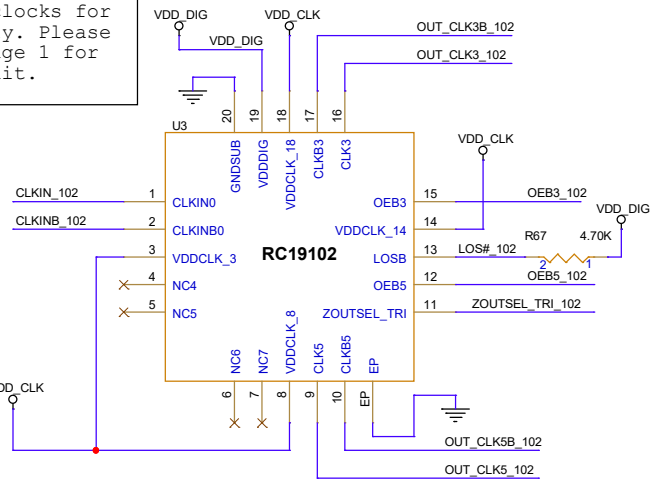
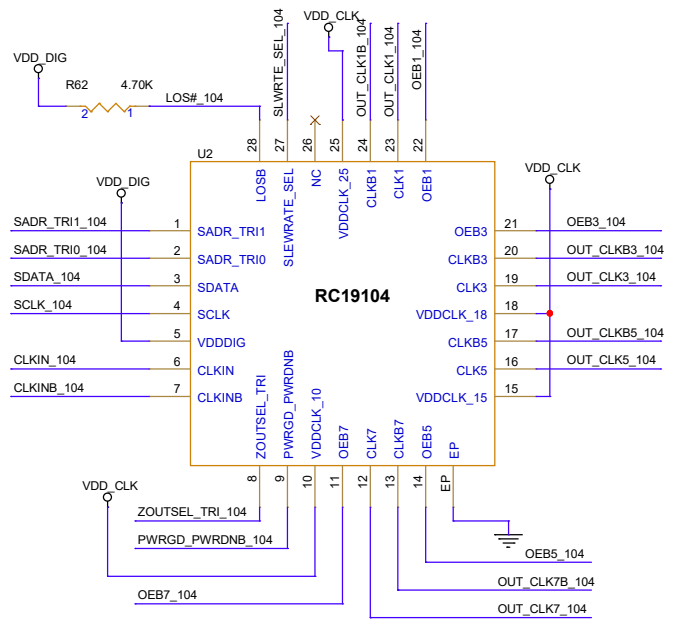
Title: RC19108 Ref Sch			
Size B	HW Number:	HW#	Engineer: Renesas Applications
	Date: 04/29/2024		Sheet: 1 of 2



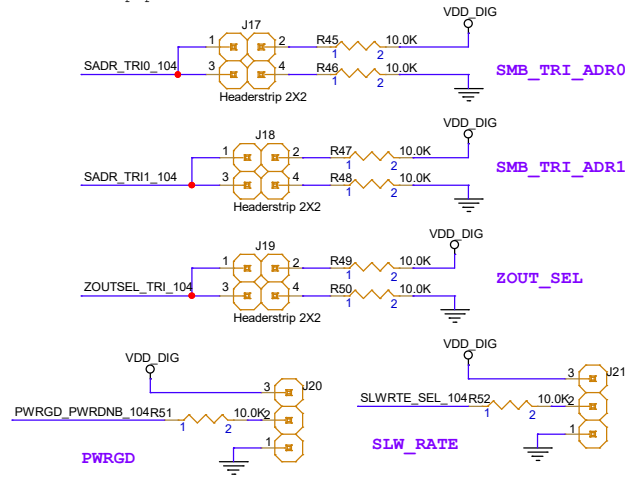
I2C BUS
 I2C signals need pull-up
 I2C signals 1.8V
 Aardvark conn as an
 example (need level
 shifter)

INPUT CLOCKS
 CLKIN 104/CLKINB 104 and
 CLKIN 102/CLKINB 102 are input clocks for
 RC19104 and RC19102, respectively. Please
 refer to INPUT CLOCK notes on Page 1 for
 ac-coupling and DC-biasing circuit.

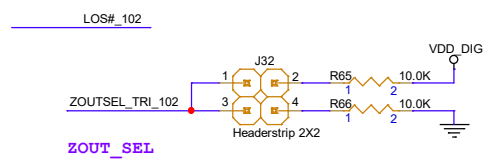
Power filtering
 A 0.1uF decoupling capacitor is
 used for each power pin and placed
 as close to the pin as possible



For all 4-header jumpers:
 Jump pin 1-2: VDD
 Jump pin 1-2, and 3-4: MID
 Jump pin 3-4: GND

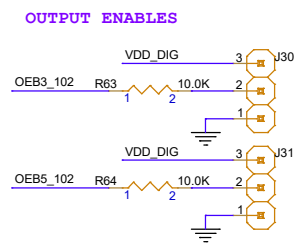
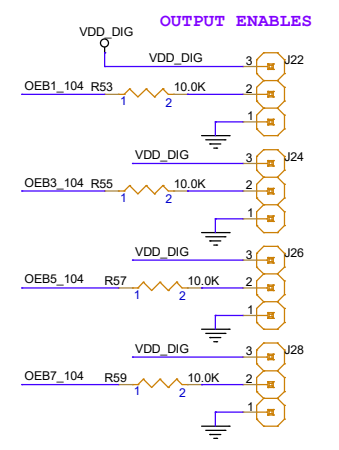


OUTPUT CLOCKS
 RC19104 has 4 diff outputs: OUT_CLKx_104/OUT_CLKxB_104
 (x = 1,3,5,7) Please refer to Page 1 for output
 connections and terminations.



OUTPUT CLOCKS
 RC19102 has 2 diff outputs:
 OUT_CLKx_104/OUT_CLKxB_104 (x = 1,3)
 Please refer to Page 1 for output
 connections and terminations.

For all 3-header jumpers:
 Jump pin 1-2: GND
 Jump pin 2-3: VDD



RENESAS		Renesas 1140 West Warner Rd. Tempe, AZ 85284	
		Title: Project Name	
Size B	HW Number: HW#	Engineer: Engineer Name	Rev. A
	Date: 03/07/2024	Sheet: 2 of 2	