

85V - 264V RMS
20A RMS @ 100V RMS, 7.6A RMS @ 264V RMS

2000W @ 85V - 264V RMS
385 - 400V DC rated voltage

P03301-C0-002

Sheet3

Sheet2

P03301-C0-001

Sheet3

P03301-C0-001

Sheet5

P03301-C0-001

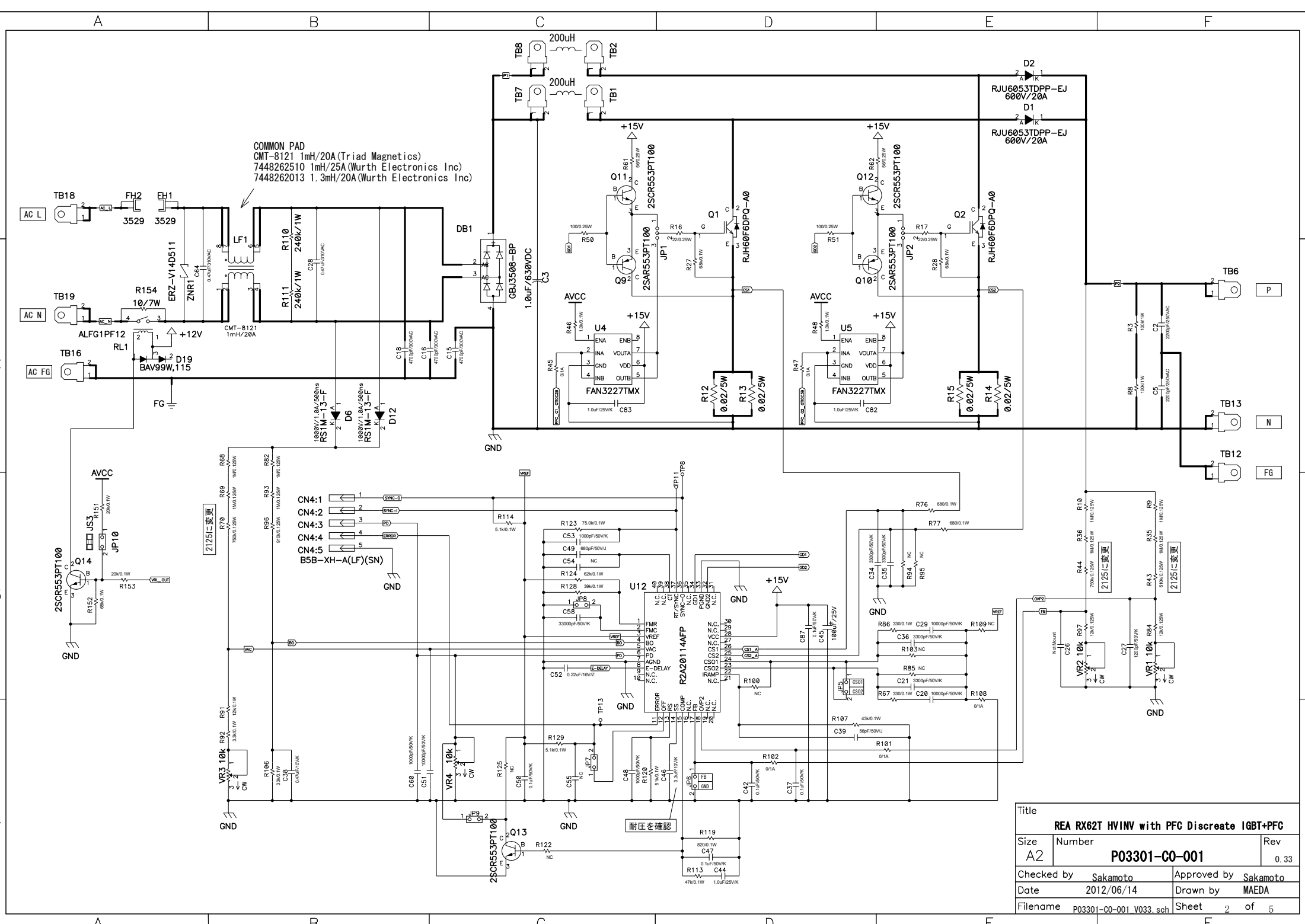
Sheet2

P03301-C0-004

Sheet5

P03301-C0-001

Title		
REA RX62T HVINV with PFC Discrete IGBT+PFC		
Size	Number	Rev
A2	P03301-C0-001	0.33
Checked by	Sakamoto	Approved by Sakamoto
Date	2012/06/14	Drawn by MAEDA
Filename	P03301-C0-001 V033.sch	Sheet 1 of 5

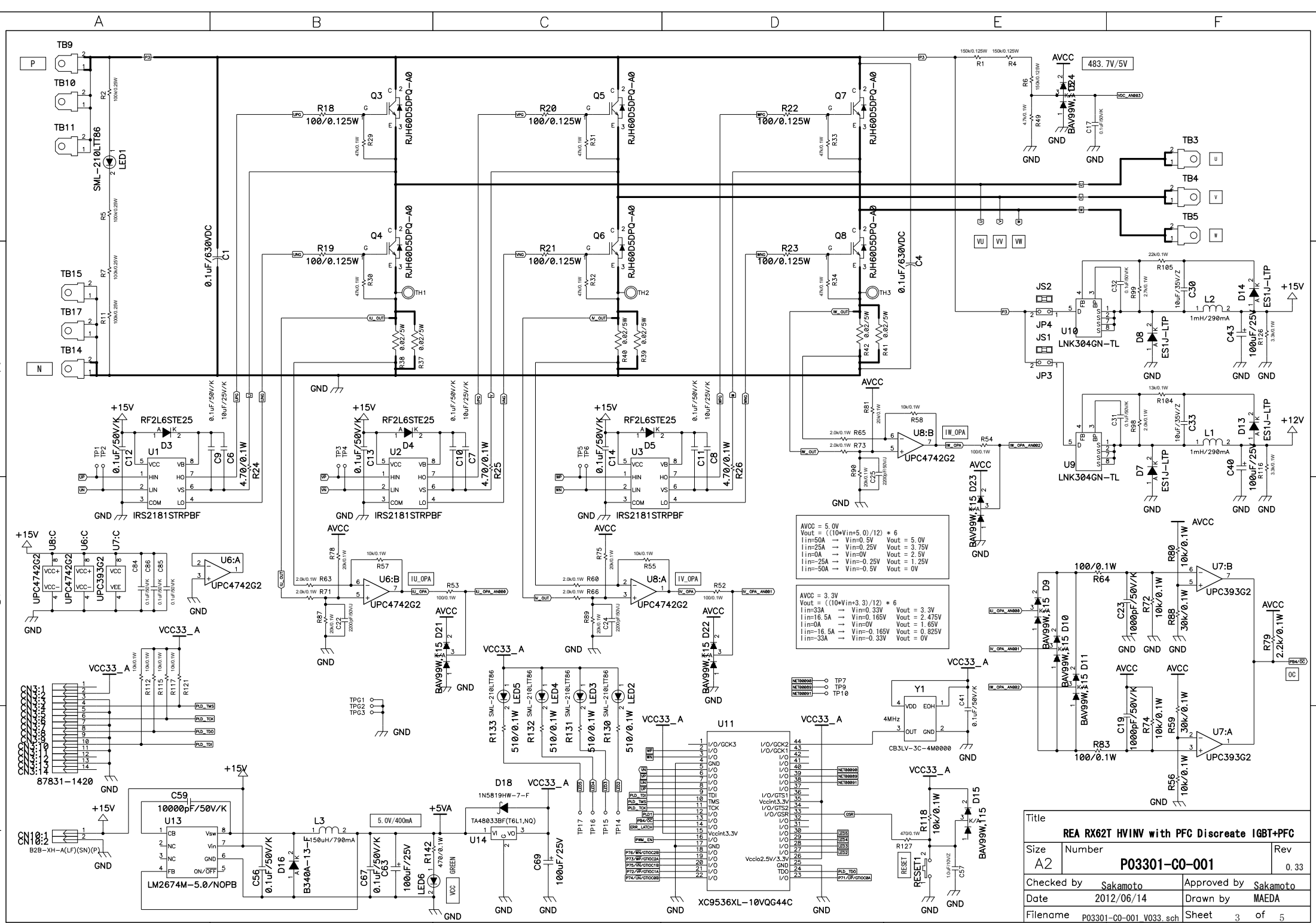


COMMON PAD
 CMT-8121 1mH/20A (Triad Magnetics)
 7448262510 1mH/25A (Würth Electronics Inc)
 7448262013 1.3mH/20A (Würth Electronics Inc)

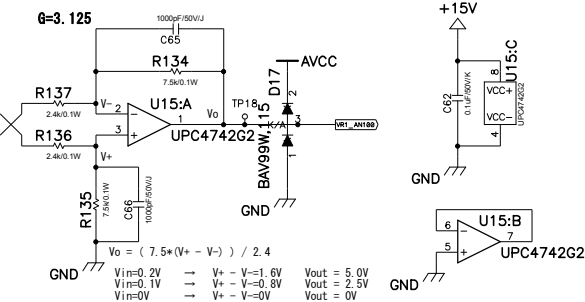
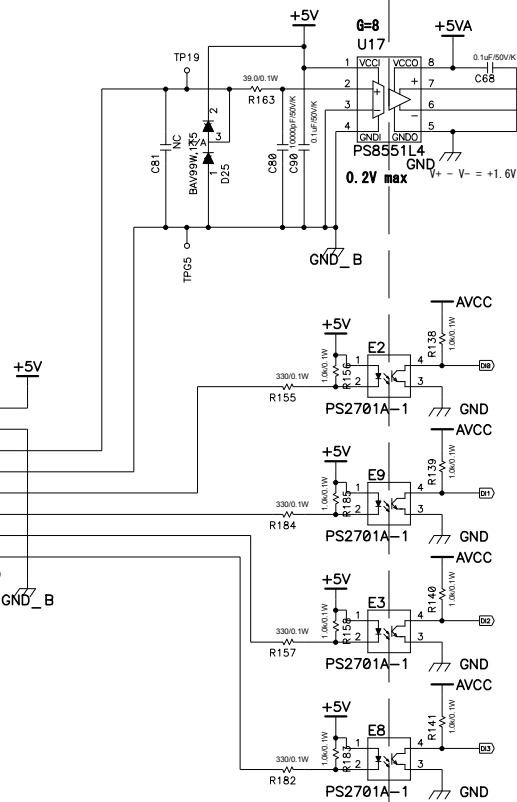
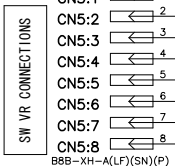
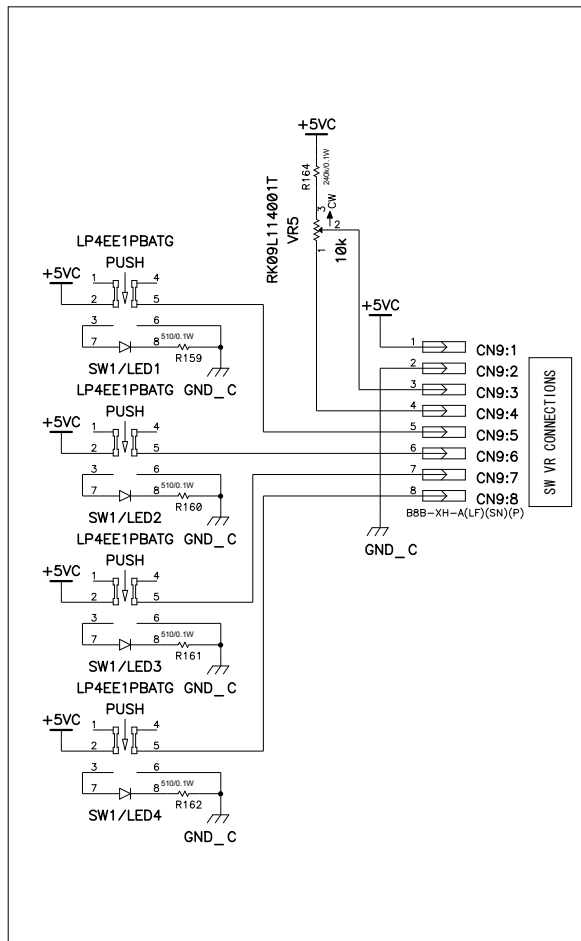
- CN4:1 1 SYNC
- CN4:2 2 SYNC
- CN4:3 3 B
- CN4:4 4 ERROR
- CN4:5 5 B5B-XH-A(LF)(SN)

耐圧者確認

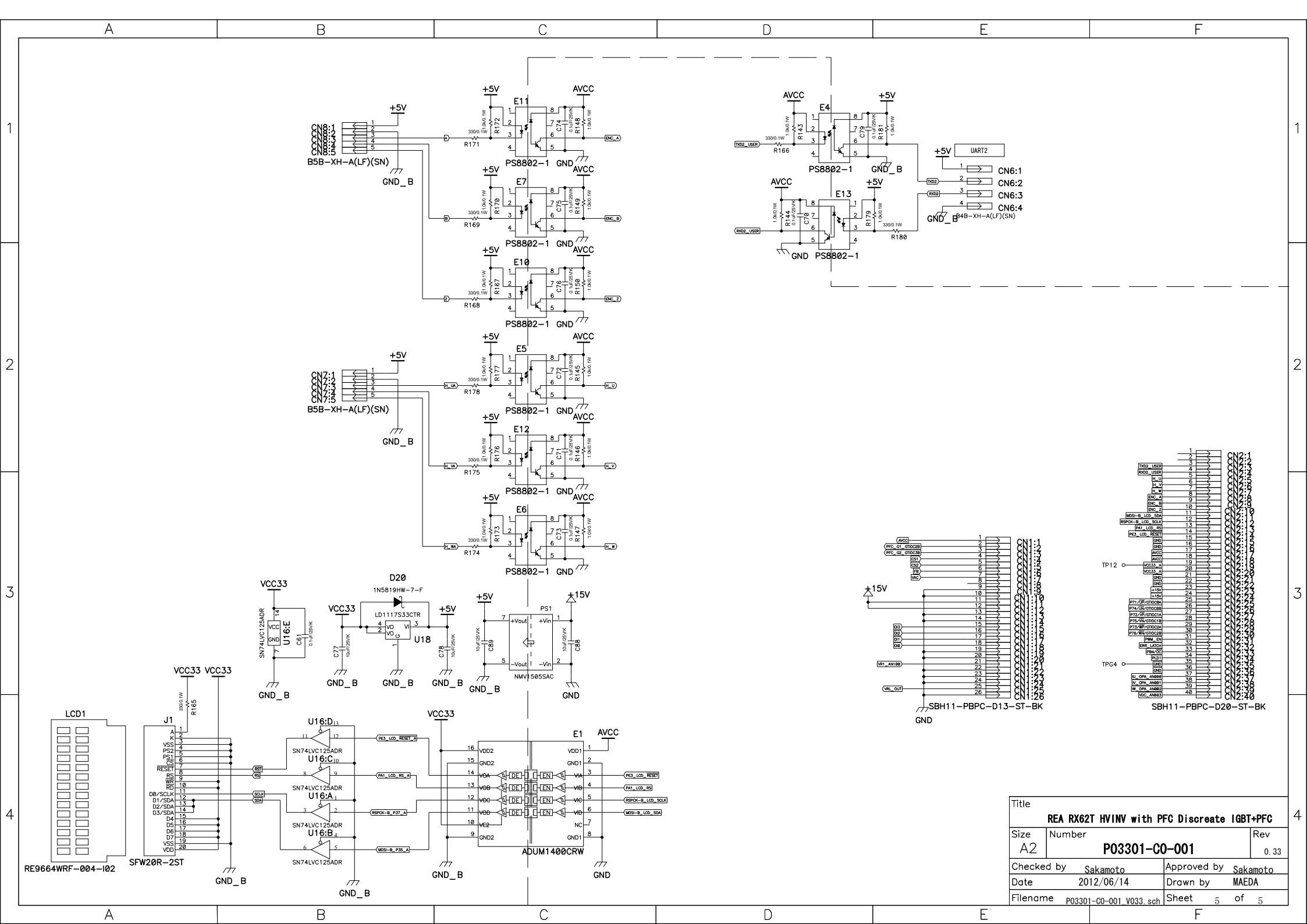
Title REA RX62T HV1NV with PFC Discreate IGBT+PFC		
Size A2	Number P03301-C0-001	Rev 0.33
Checked by Sakamoto	Approved by Sakamoto	
Date 2012/06/14	Drawn by MAEDA	
Filename P03301-C0-001_V033_sch	Sheet 2	of 5



Title			
REA RX62T HVINV with PFC Discrete IGBT-PFC			
Size	Number	Rev	
A2	P03301-C0-001	0.33	
Checked by	Sakamoto	Approved by	Sakamoto
Date	2012/06/14	Drawn by	MAEDA
Filename	P03301-C0-001_V033_sch	Sheet	3 of 5



Title		
REX RX62T HVINV with PFC Discreate IGBT+PFC		
Size	Number	Rev
A2	P03301-C0-001	0.33
Checked by	Sakamoto	Approved by Sakamoto
Date	2012/06/14	Drawn by MAEDA
Filename	P03301-C0-001_V033_sch	Sheet 4 of 5



Title REA RX62T HV1NV with PFC Discrete IGBT+PFC		
Size A2	Number P03301-C0-001	Rev 0.33
Checked by Sakamoto	Approved by Sakamoto	
Date 2012/06/14	Drawn by MAEDA	
Filename P03301-C0-001_V033.sch	Sheet 5	of 5