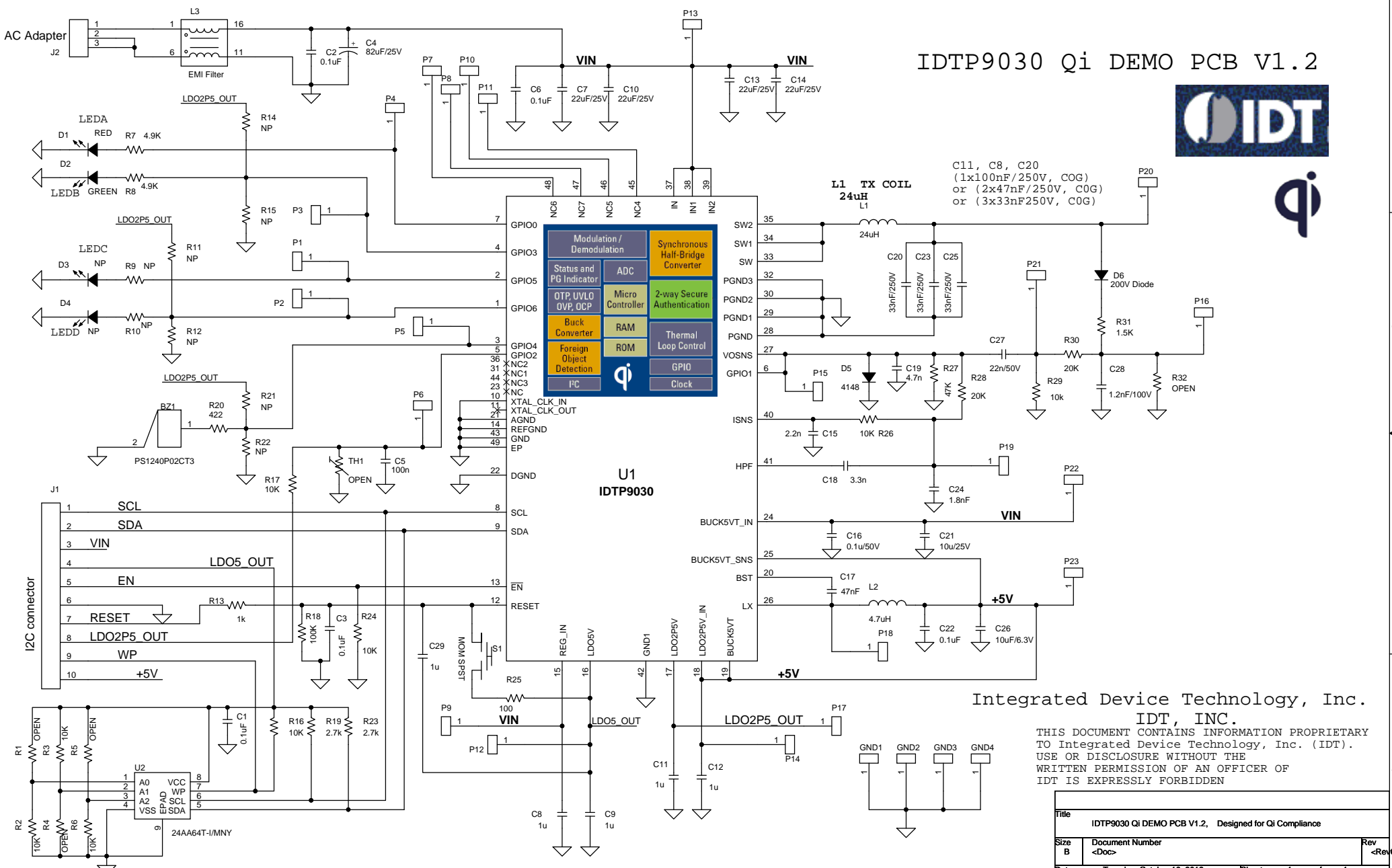


IDTP9030 Qi DEMO PCB V1.2



C11, C8, C20
(1x100nF/250V, COG)
or (2x47nF/250V, COG)
or (3x33nF/250V, COG)

Integrated Device Technology, Inc.

IDT, INC.

THIS DOCUMENT CONTAINS INFORMATION PROPRIETARY TO Integrated Device Technology, Inc. (IDT). USE OR DISCLOSURE WITHOUT THE WRITTEN PERMISSION OF AN OFFICER OF IDT IS EXPRESSLY FORBIDDEN

Title		IDTP9030 Qi DEMO PCB V1.2, Designed for Qi Compliance	
Size	Document Number	Rev	
B	<Doc>	<Rev Code>	
Date:	Tuesday, October 16, 2012	Sheet	1 of 1