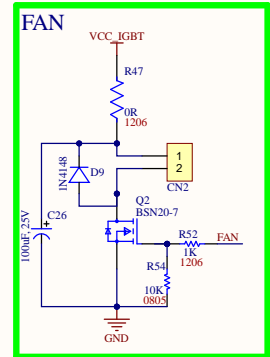
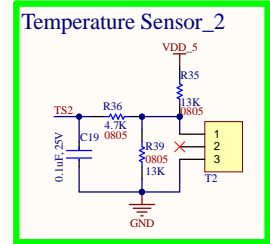
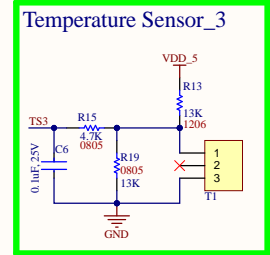
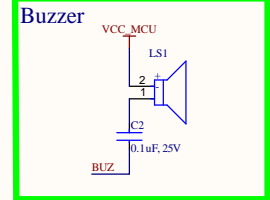
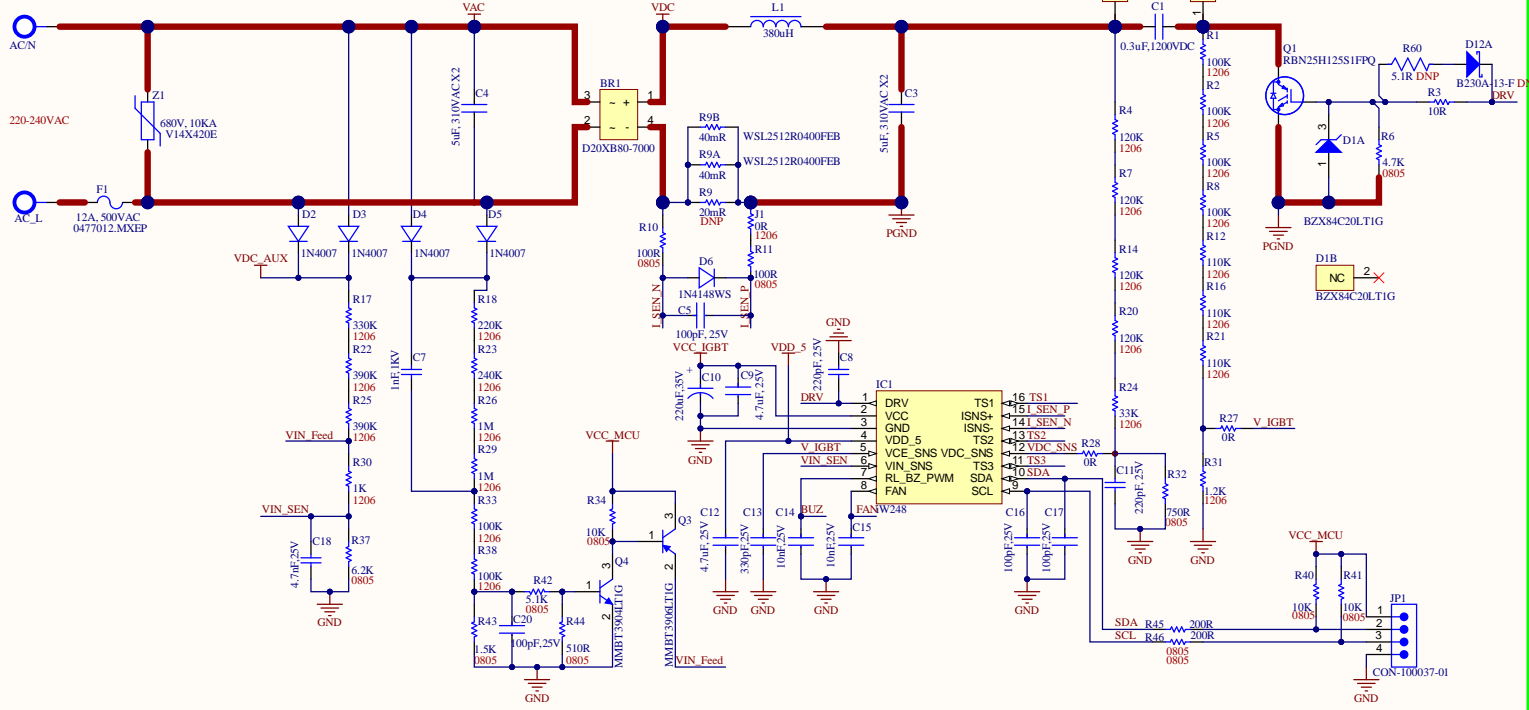
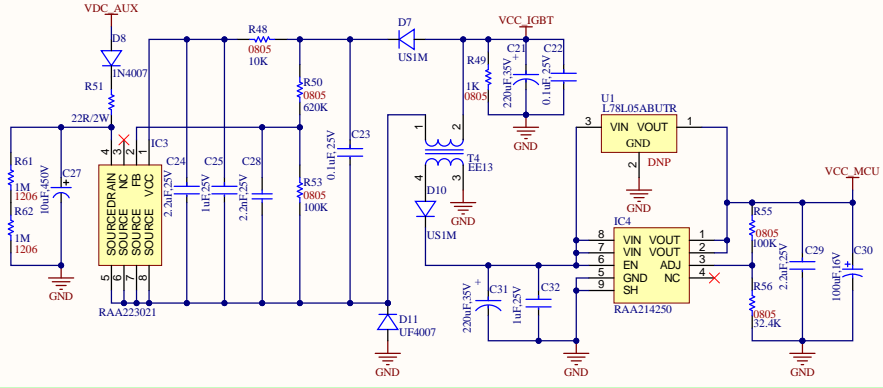


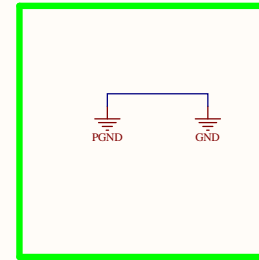
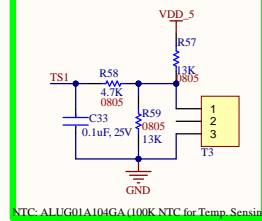
AC-DC and IGBT Driver:



Power Supply



Temperature Sensor_1



AS048 Energy Efficient Induction Cooktop

AS048 Energy Efficient Induction Cooktop_1.2.sch

Release Date: 1/30/2024	Revision: 02	Drawn by: Gaurav	Checked by: Nitin	Approved by: Nitin
Last Updated: 1/30/2024				
SHEET 1 OF 1		Renesas Electronics India Pvt Ltd, Bangalore, India.		