

A

B

C

D

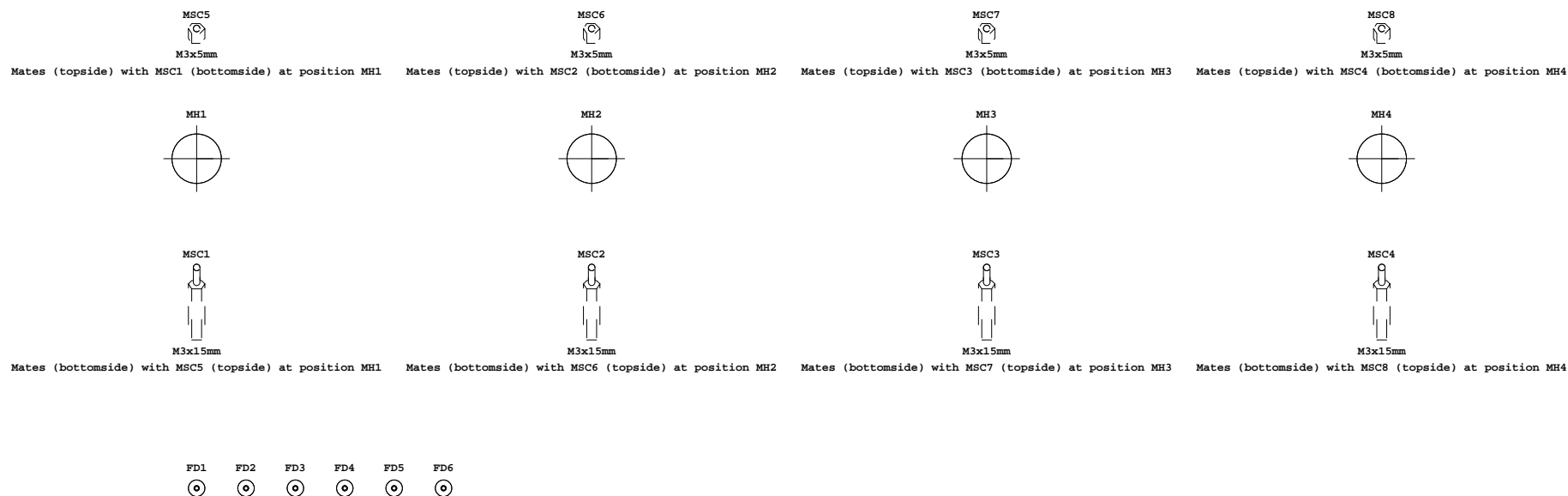
E

F

REVISION TABLE

REV.	DATE	ENGINEER	NOTES
A1	05/07/2021	XB	Manufactured version.

MECHANICAL PARTS



SCHEMATIC TEMPLATE REV.rxd_V8 (10-07-2019)		CONFIDENTIAL INFORMATION	SIZE A3L	TITLE: DA913x Customer Eval Board VARIANT: Master Sch no Var defined		
DESIGNED BY: CH, XB	REVIEWED BY: SK	SAVED DATE: 05/07/2021:11:21	REVIEWED DATE:	DA913X-30-A 1 <small>BOARD No. Sch Rev Variant Var Rev</small> DRAWING No:		SHEET NAME: Revision and Mechanical

A

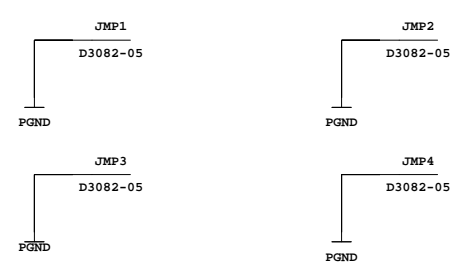
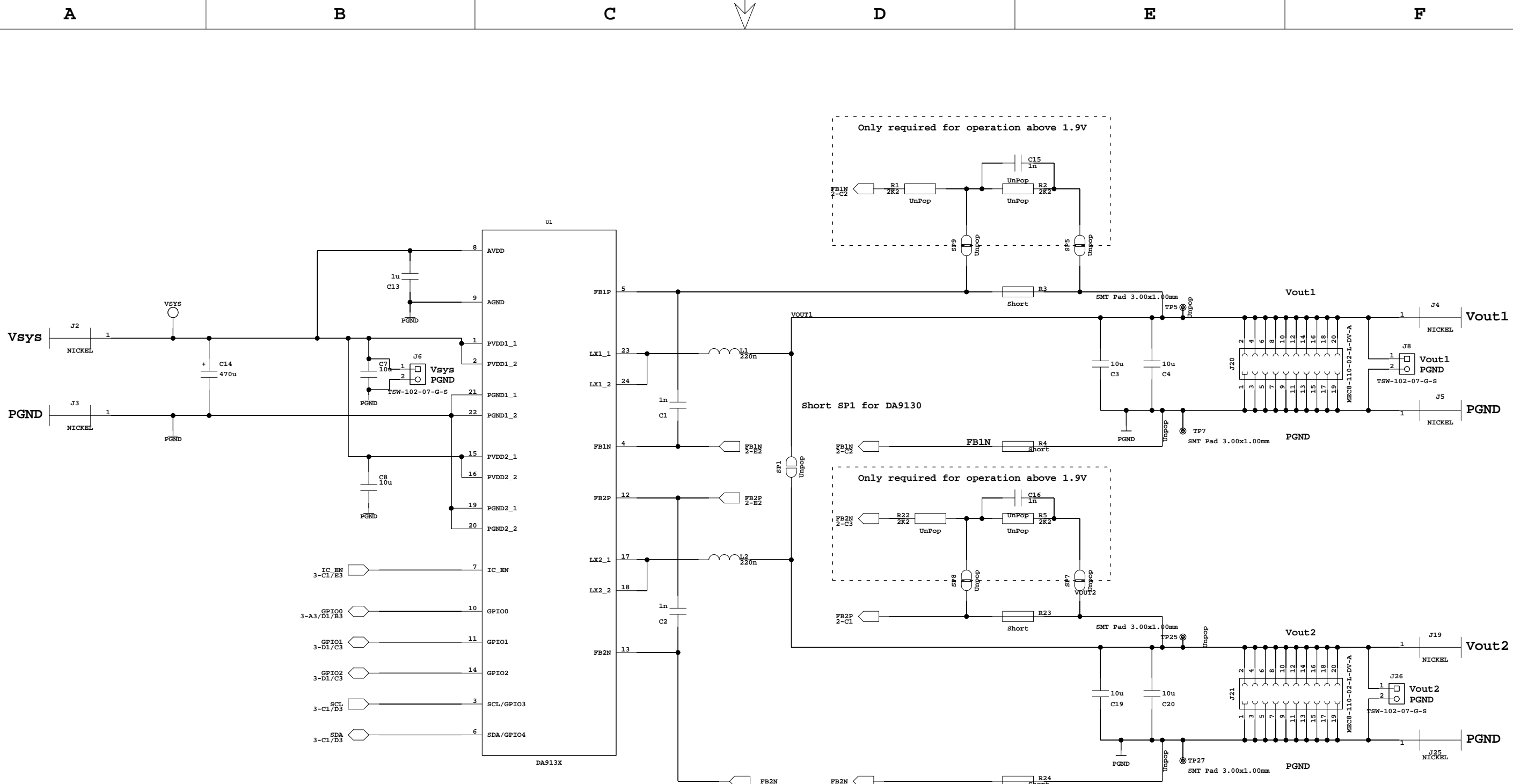
B

C

D

E

F



Comments:
 - 70um copper planes top/bottom
 - Fill copper areas top/bottom
 - Place 20 thermal vias under U1
 - Place 2mm 1mm pitch
 - Place 60 thermal vias around U1
 - Place 2mm 10mm pitch
 - 2mm clearance between J15 and the board edge

Specific to DA9130:
 - Short SP1
 - Open R23 and R24
 - Do not populate C2

SCHEMATIC TEMPLATE REV.xdxd_V8 (10-07-2019)	CONFIDENTIAL	SIZE	TITLE: DA913x Customer Eval Board
DESIGNED BY: CH, XB	INFORMATION	A3L	VARIANT: Master Sch no Var defined
REVIEWED BY: SK	SAVED DATE: 03/12/2021:15:12	DA913X-30-A 1	
	REVIEWED DATE:	DRAWING No:	SHEET NAME: DA913x
			PAGE: 2 of 3



A

B

C

D

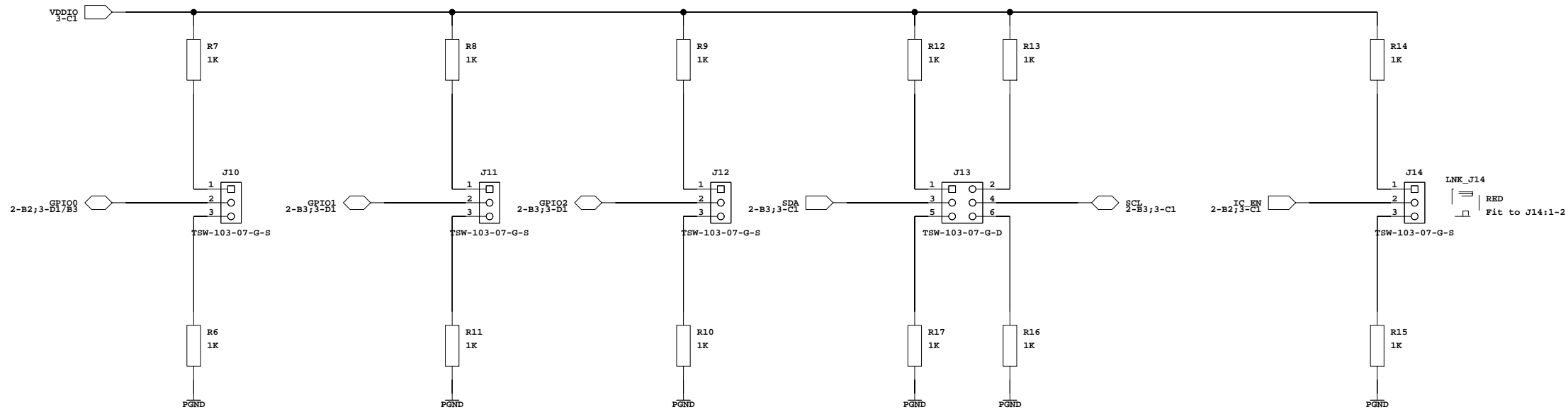
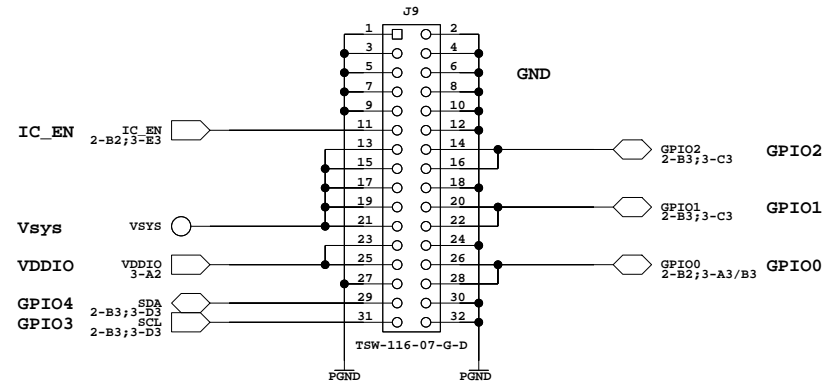
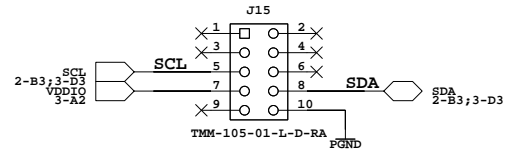
E

F

1

1

Place J15 2mm from the board edge



2

2

3

3

4

4

Schematic Template Rev. xdx_V8 (10-07-2019)		CONFIDENTIAL	SIZE	TITLE: DA913x Customer Eval Board	
DESIGNED BY: CH, XB		INFORMATION	A3L	VARIANT: Master Sch no Var defined	
REVIEWED BY: SK		SAVED DATE: 25/06/2021:16:59	DA913X-30-A 1		
		REVIEWED DATE:	DRAWING No:	PAGE: 3 of 3	
			SHEET NAME: GPIOs		



A

B

C

D

E

F