

A

B

C

D

E

F

1

1

2

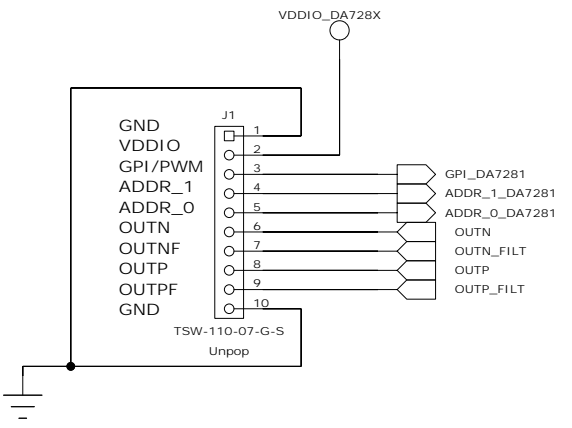
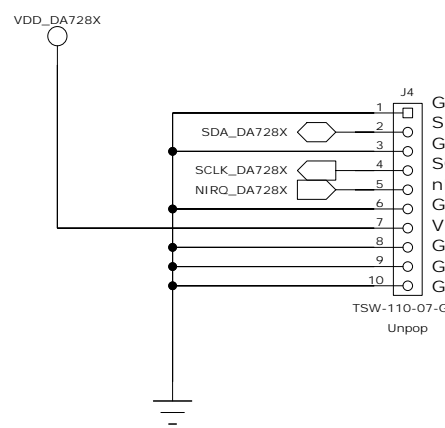
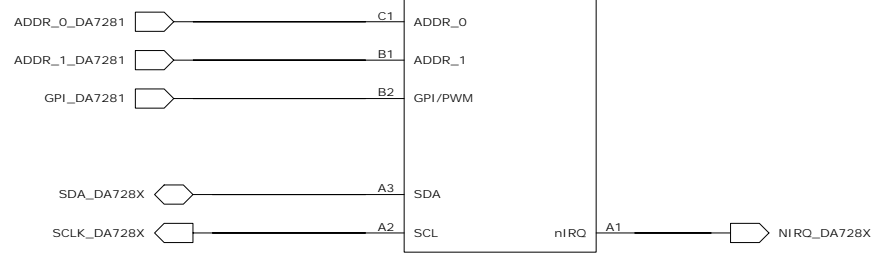
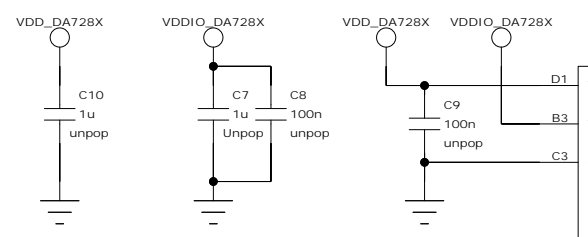
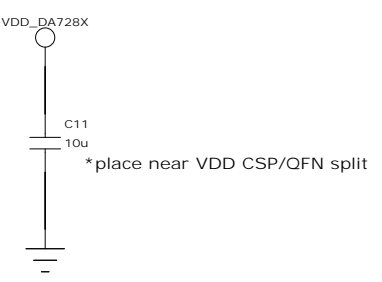
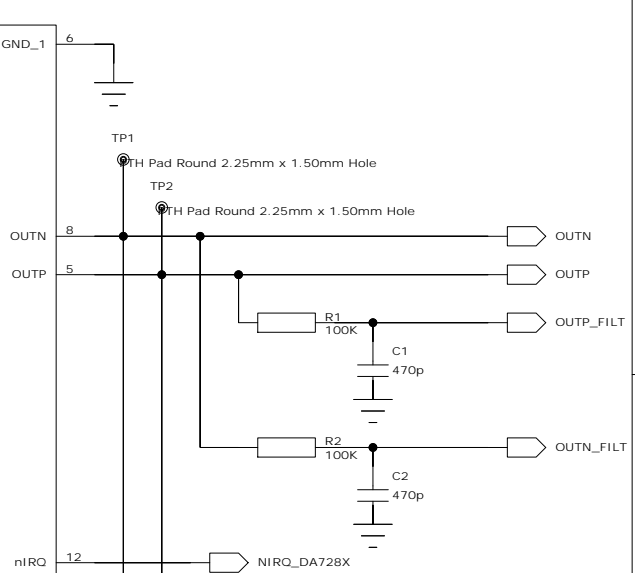
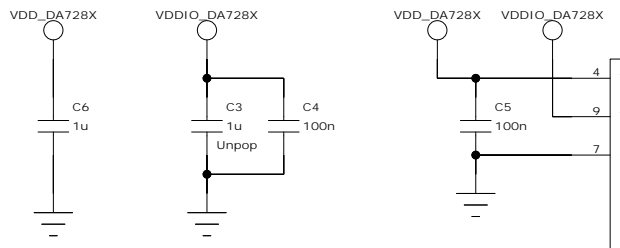
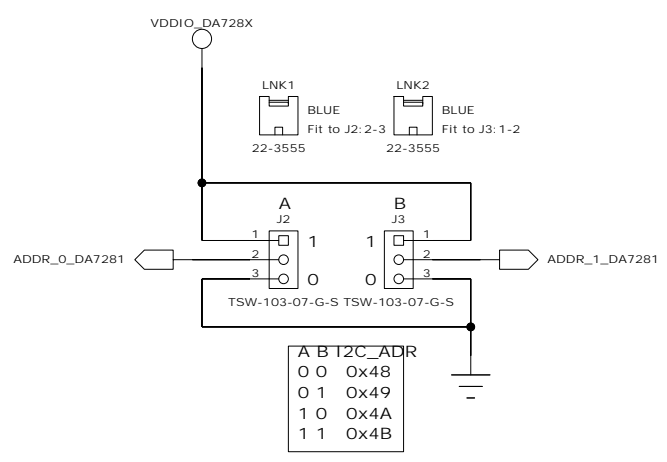
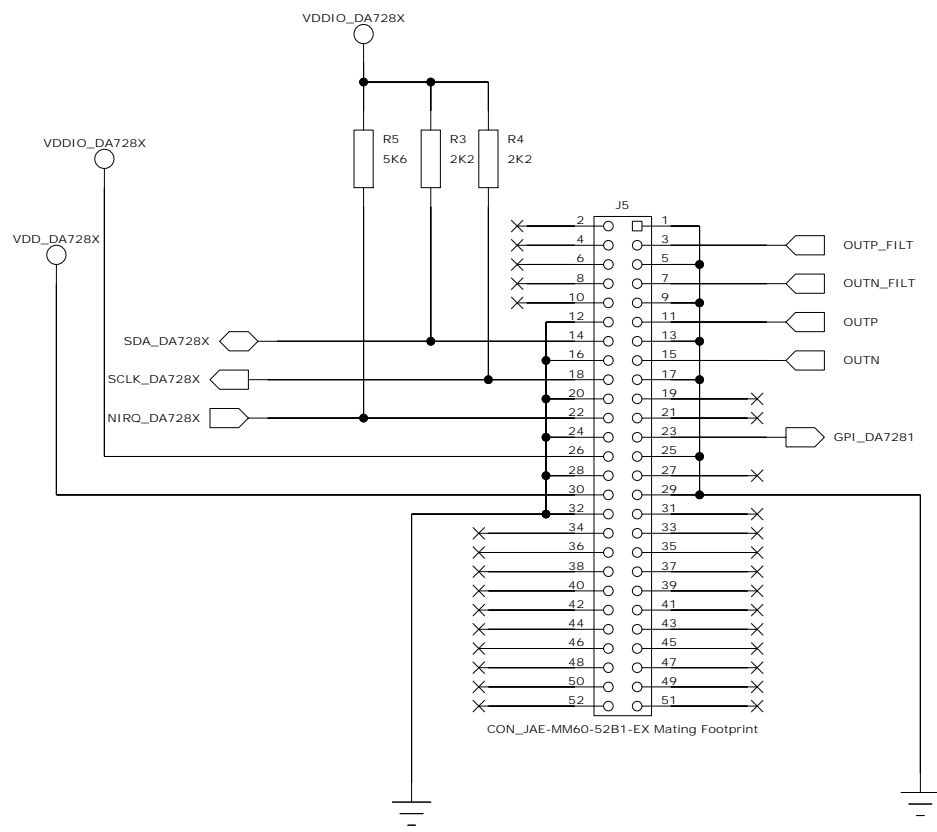
2

3

3

4

4



SCHEMATIC TEMPLATE REV.xDxD\_V7 (01-06-2017)

DESIGNED BY:  
JM  
MG

REVIEWED BY:  
JM  
AY, WF

CONFIDENTIAL INFORMATION

SIZE: A3L

TITLE: DA7281 Daughter board  
VARIANT: Master Sch no Var defined

359-07-A 1

26/10/2018: 10:13

REVIEWED DATE: 22/09/2018

DRAWING No: [ ]

SHEET NAME: DUT

dialog SEMICONDUCTOR

PAGE: 1 of 2

A

B

C

D

E

F

