

A

B

C

D

E

F

1

1

2

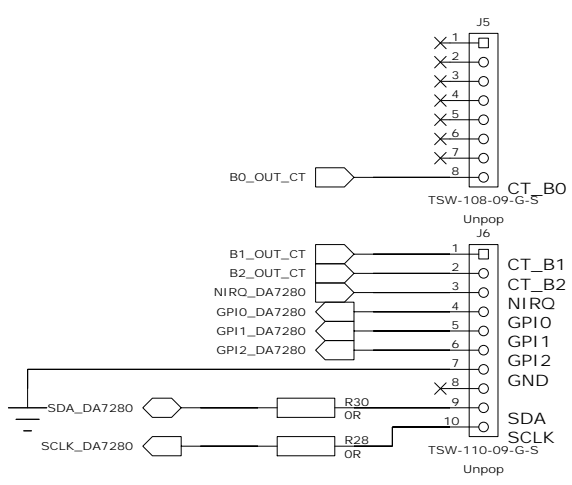
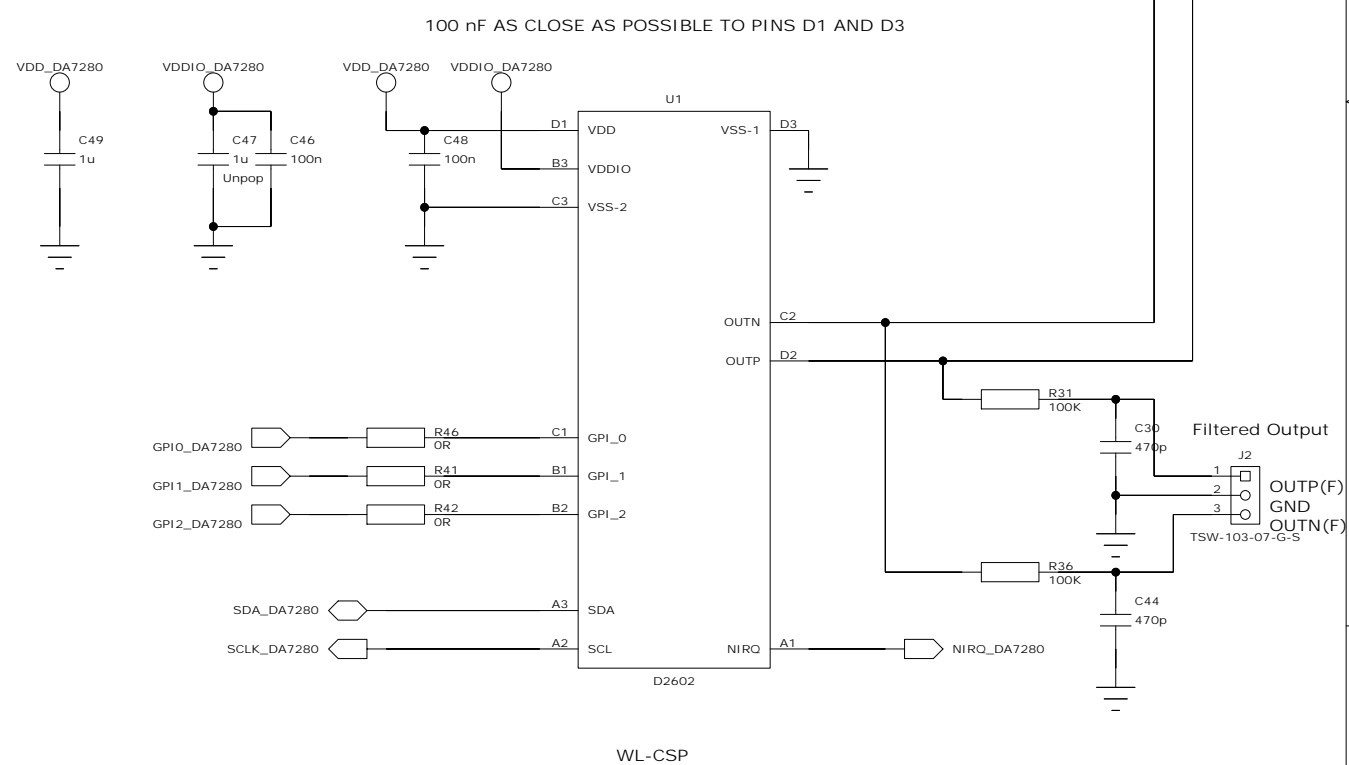
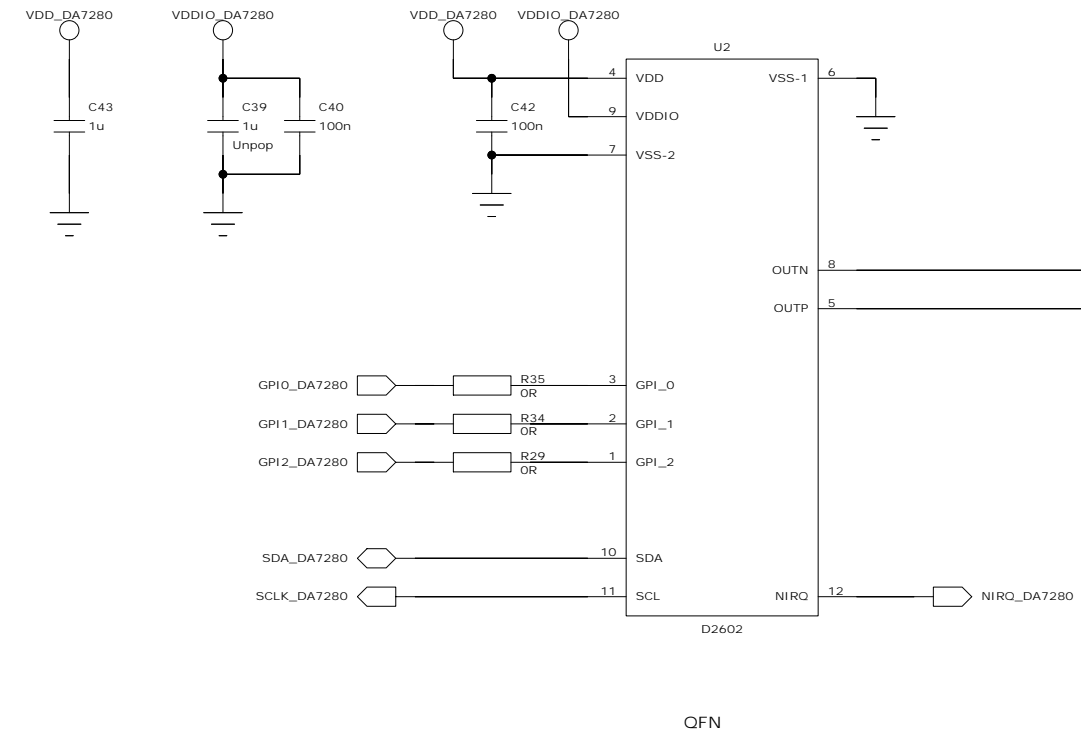
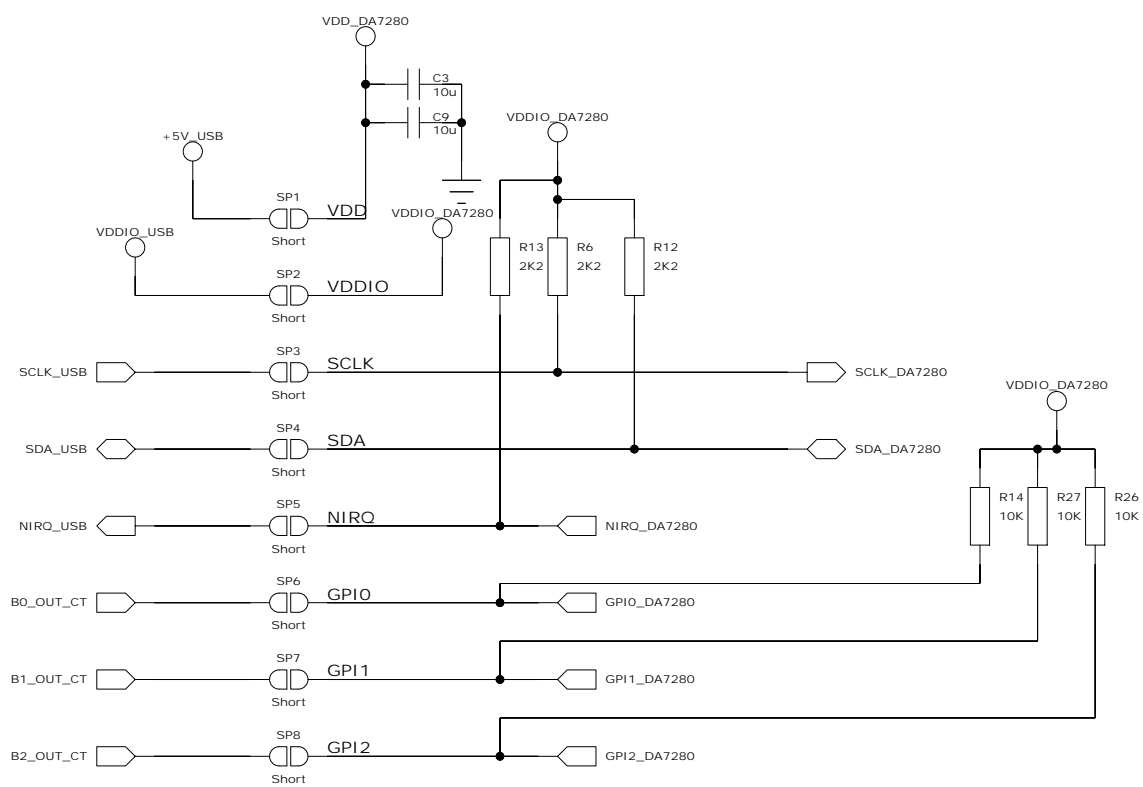
2

3

3

4

4



To fit Arduino Uno headers

SCHEMATIC TEMPLATE REV.xDxD\_V7 (01-06-2017)

DESIGNED BY:

REVIEWED BY:

14/12/2017: 12: 21

14/12/2017

CONFIDENTIAL INFORMATION

SIZE A3L

SAVED DATE:

REVIEWED DATE:

TITLE: DA7280 Performance Board

VARIANT: Master Sch no Var defined

359-02-B 1000

DRAWING No:

SHEET NAME: DUT

dialog SEMICONDUCTOR

PAGE: 1 of 5

A

B

C

D

E

F

A

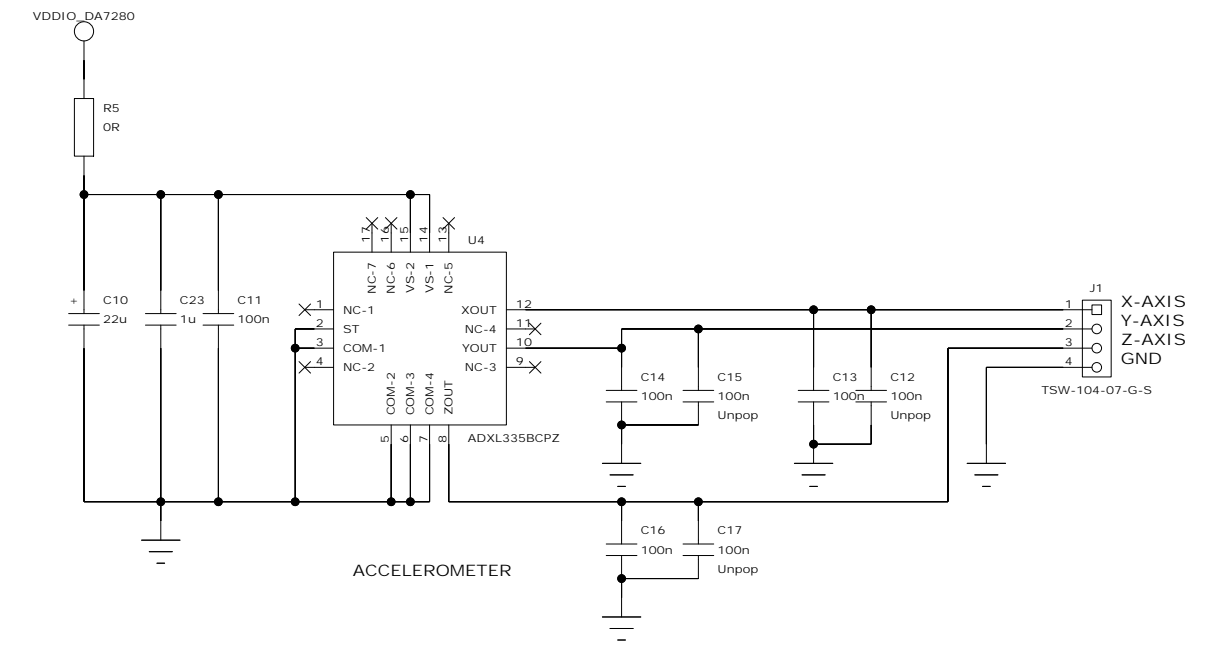
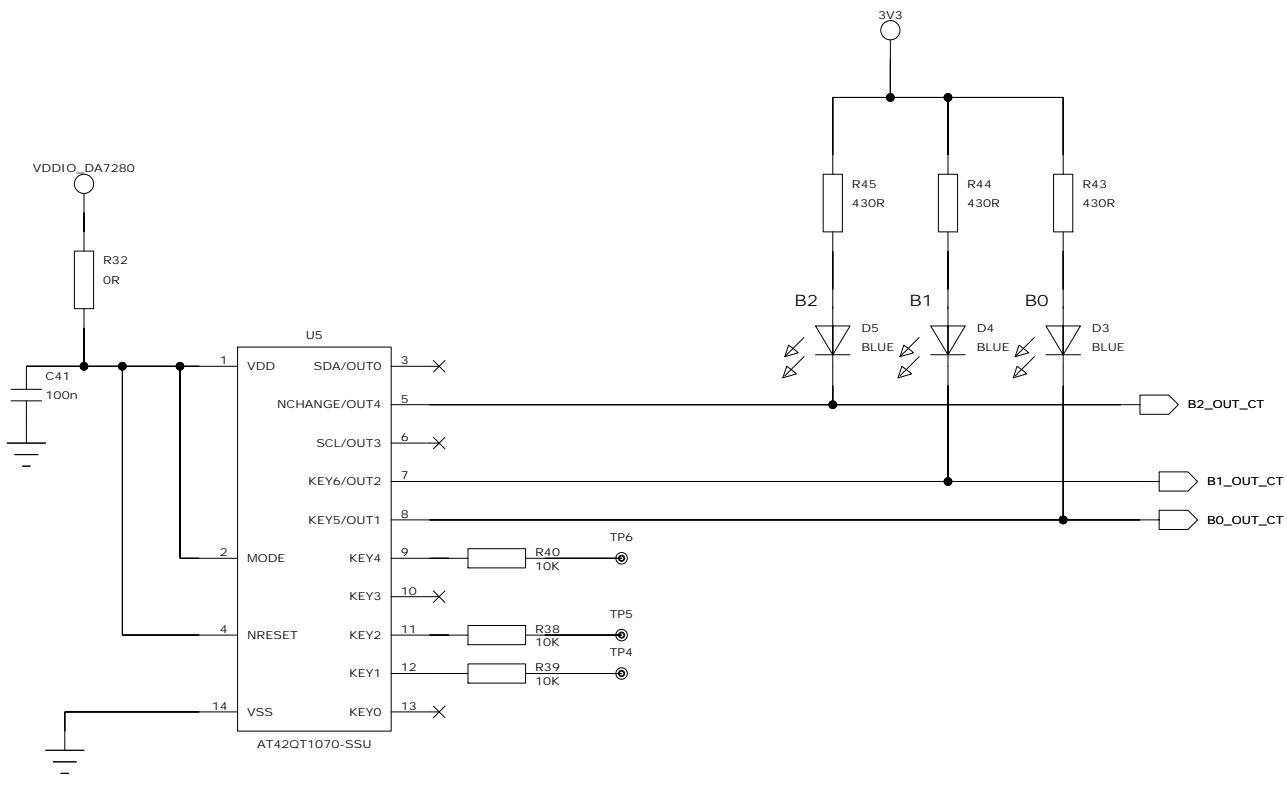
B

C

D

E

F



SCHEMATIC TEMPLATE REV.xDxD\_V7 (01-06-2017)

DESIGNED BY:

REVIEWED BY:

CONFIDENTIAL INFORMATION

SAVED DATE:  
14/12/2017: 12: 21

REVIEWED DATE:  
14/12/2017

SIZE  
A3L

TITLE: DA7280 Performance Board  
VARIANT: Master Sch no Var defined

359-02-B 1000

DRAWING No: [ BOARD No. ] [ Sch Rev ] [ Variant ] [ Var Rev ]

SHEET NAME:  
CAP SENSE AND ACCEL

dialog SEMICONDUCTOR

PAGE: 2 of 5

A

B

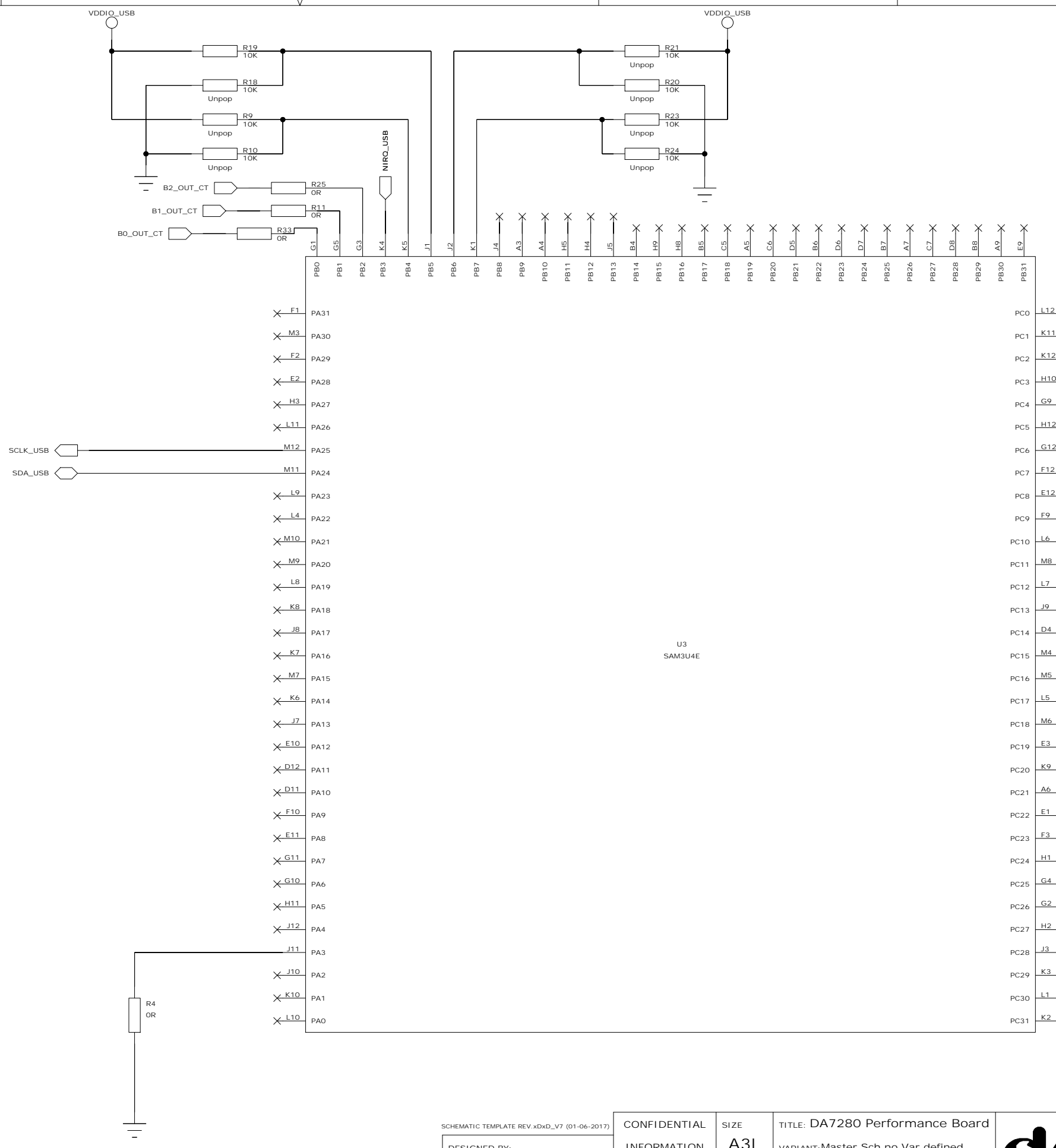
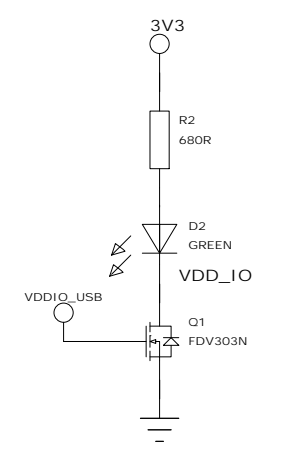
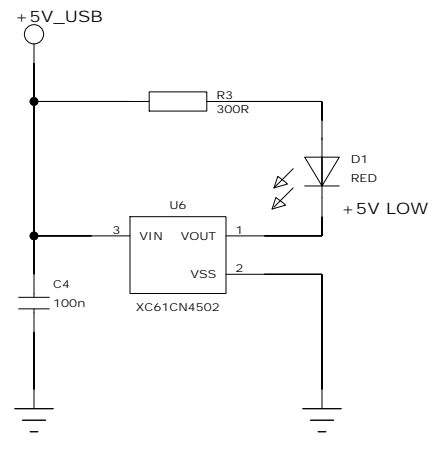
C

D

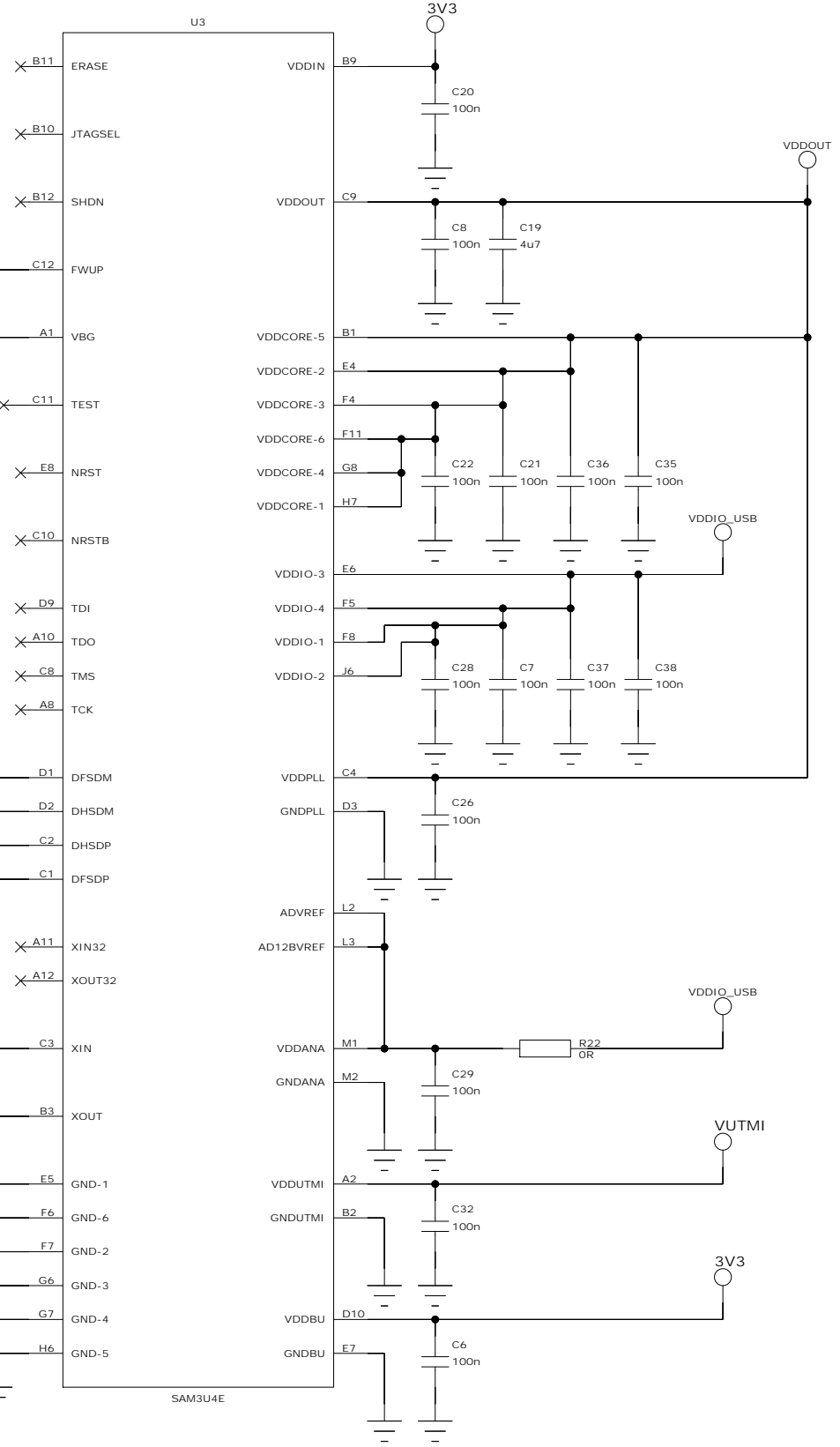
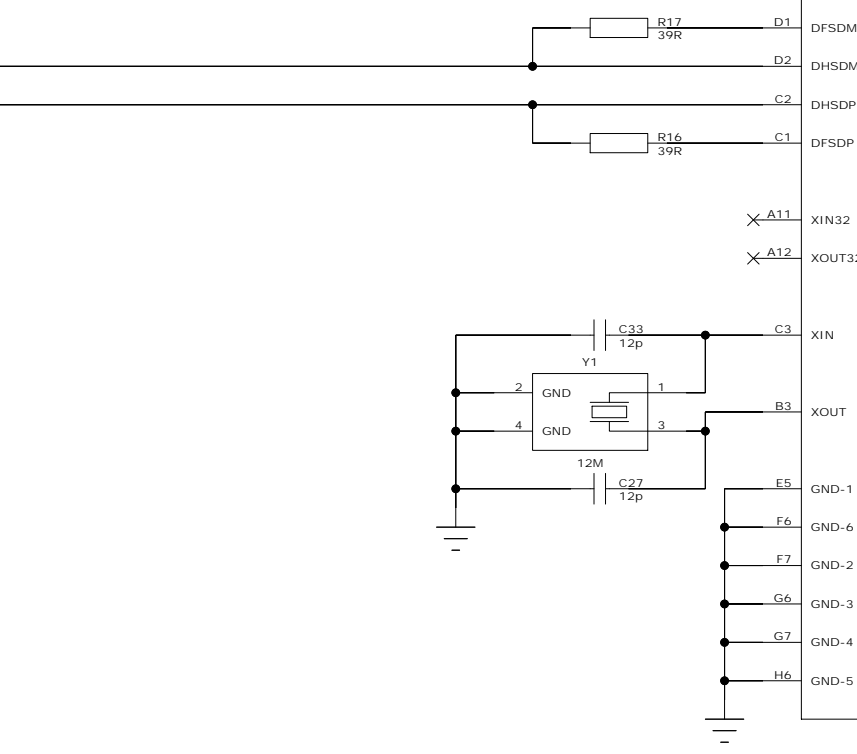
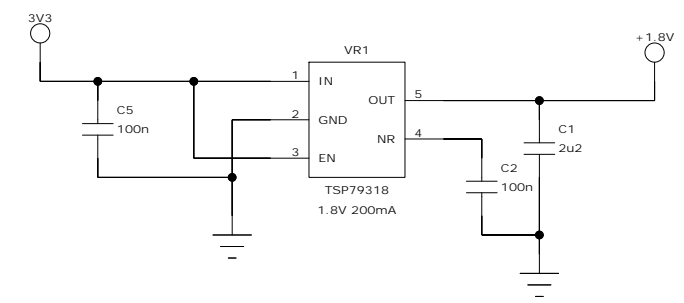
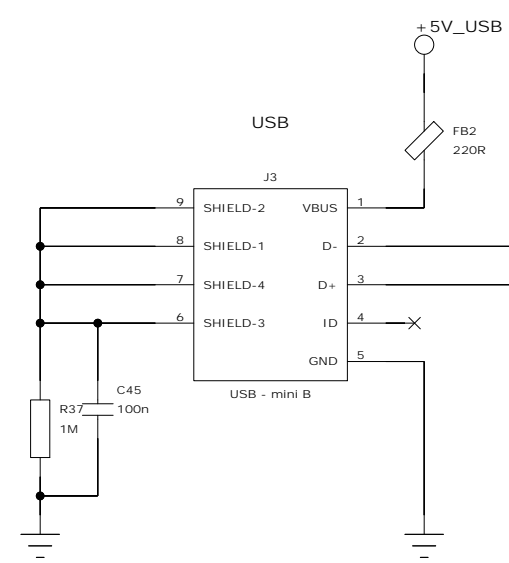
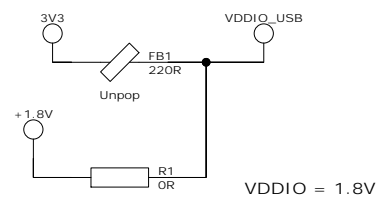
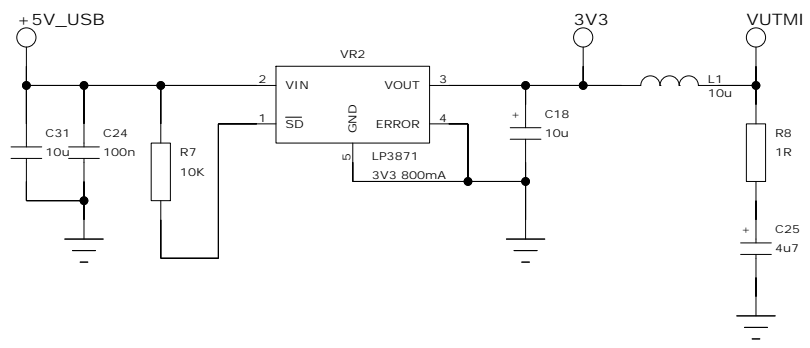
E

F

# SAM3U\_IOs



Schematic Template Rev: xDxD_V7 (01-06-2017)		CONFIDENTIAL	SIZE	TITLE: DA7280 Performance Board		
DESIGNED BY:		INFORMATION	A3L	VARIANT: Master Sch no Var defined		
REVIEWED BY:		SAVED DATE: 14/12/2017: 12: 21		DRAWING No: 359-02-B 1000		PAGE: 3 of 5
		REVIEWED DATE: 14/12/2017		SHEET NAME: USB_IO		



SCHEMATIC TEMPLATE REV.xDxD_V7 (01-06-2017)	CONFIDENTIAL	SIZE	TITLE: DA7280 Performance Board	
	INFORMATION	A3L	VARIANT: Master Sch no Var defined	
DESIGNED BY:	SAVED DATE:		359-02-B 1000	PAGE: 4 of 5
REVIEWED BY:	14/12/2017 12:21		DRAWING No: BOARD No: Sch Rev: Variant: Var Rev:	
	REVIEWED DATE:	SHEET NAME: USB_IF		
	14/12/2017			

A

B

C

D

E

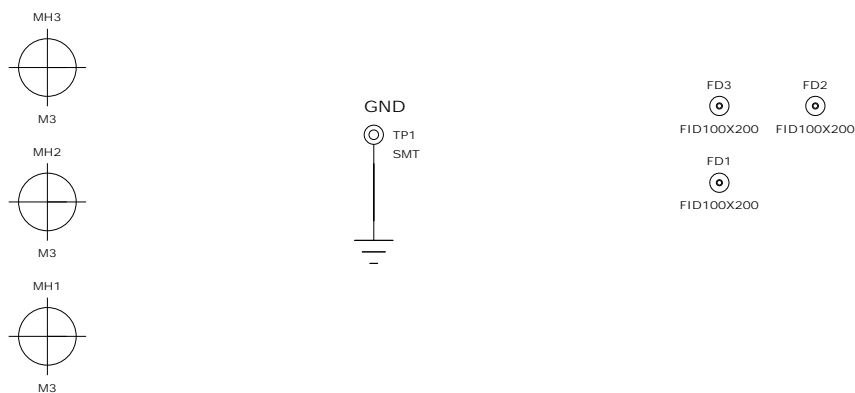
F

# REVISION TABLE

REV.	DATE	ENGINEER	NOTES
B1000	14/12/2017	CM/MG	Manufactured version.

# MECHANICAL PARTS

# MECHANICAL



SCHEMATIC TEMPLATE REV.xDxD\_V7 (01-06-2017)

DESIGNED BY:  
  
REVIEWED BY:

CONFIDENTIAL  
INFORMATION

SIZE  
A3L

TITLE: DA7280 Performance Board  
VARIANT: Master Sch no Var defined

359-02-B 1000

BOARD No: Sch Rev: Variant: Var Rev:

SAVED DATE:  
14/12/2017: 12: 26

REVIEWED DATE:  
14/12/2017

DRAWING No:

SHEET NAME:  
REVISION

**dialog**  
SEMICONDUCTOR

PAGE: 5 of 5

A

B

C

D

E

F