

DA1458x Reference Design

Design Name	da1458x_qfn40_prodb_va1
Supported chips	DA14580,DA14581,DA14583,DA14585(default),DA14586
Ref. Number	321-2-A1
Version	A01
Date	May , 02, 2017
Designer	PR KR

History Table		
Version	Date	Comments
A00	19 /Oct / 2016	Initial Schematic
A01	02 /May / 2017	1.R7 changed to 1Kohm 2.Xtall Y2 changed to TXC 9HT11-32.768KDZB-T (6pF)

Configuration note

NOTE box

Changes in this Version.



Label_Dialog_L6008

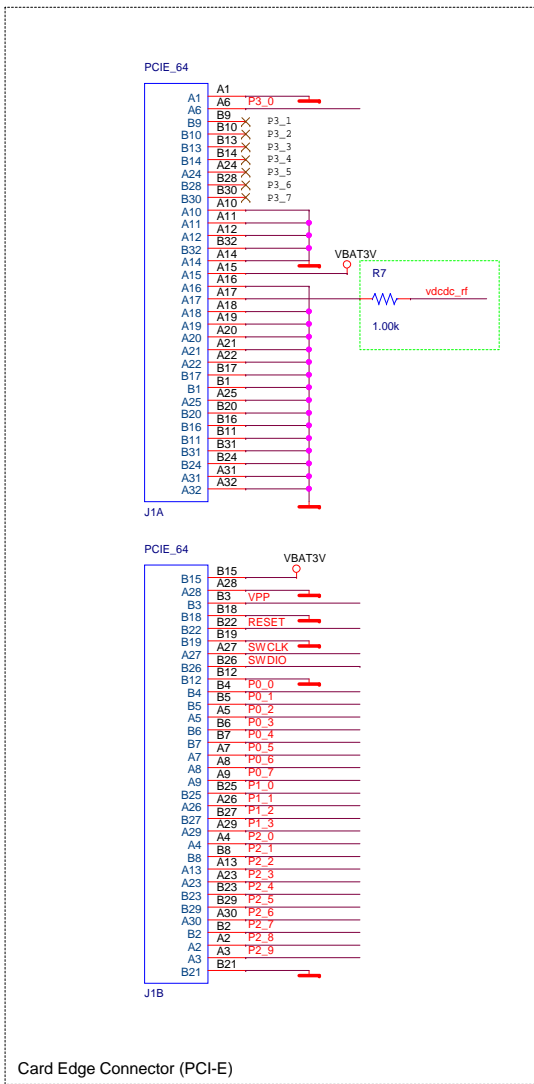
<Variant Name>

		Dialog Semiconductor N.E.O. Athinon- Patron 15 26441, Patra, Greece tel. (+30) 2610390940 fax. (+30) 2610390941
Title : da1458x_qfn40_prodb		
Doc. Nr.	Designer: PR	Rev:A
Date: Friday, May 05, 2017	Sheet: 0 of	1

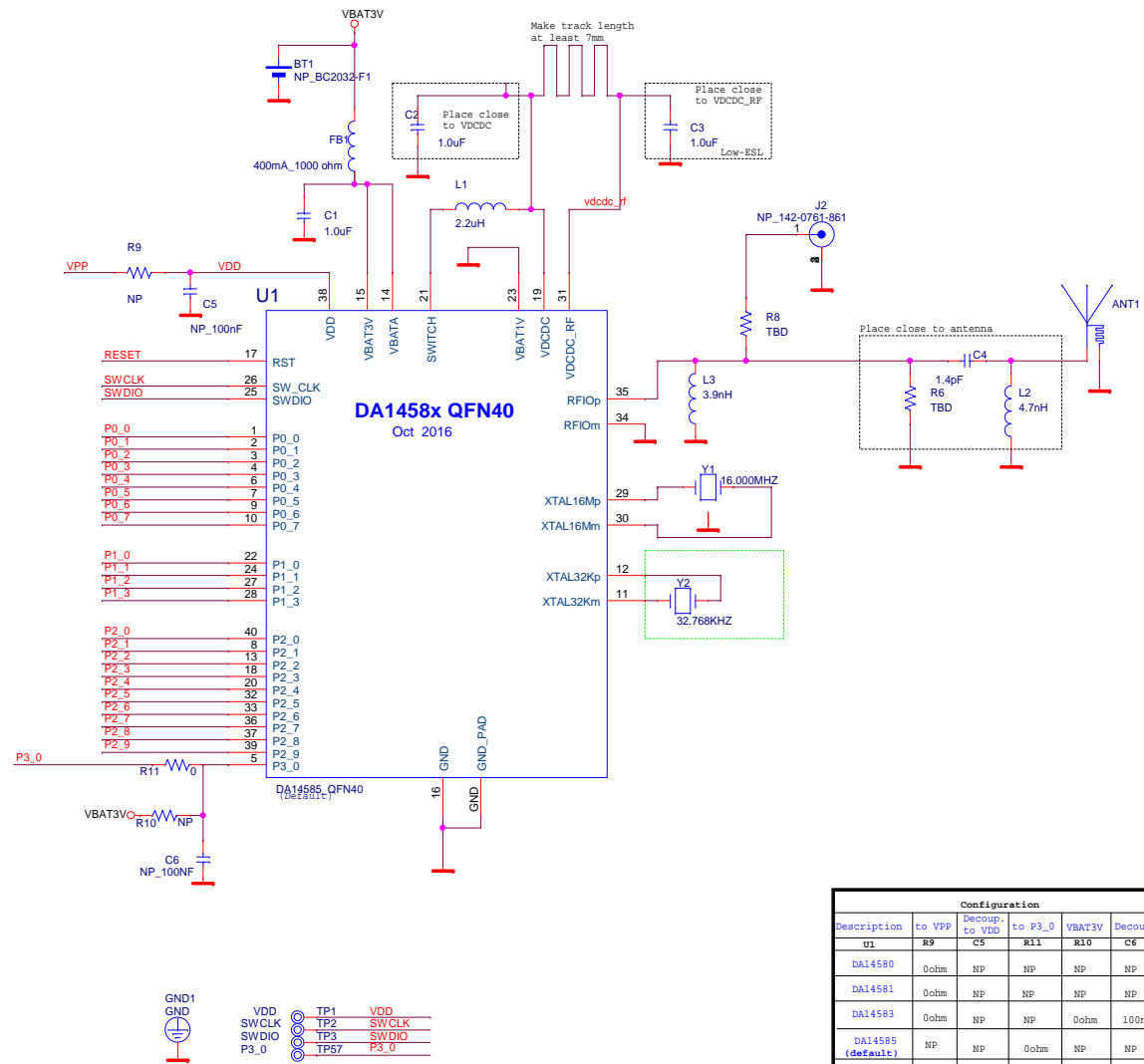
—○ TP11 FIDUCIAL

—○ TP12 FIDUCIAL





Card Edge Connector (PCI-E)



Description	Configuration				
	to VPP	Decoup. to VDD	to P3_0	VBAT3V	Decoup.
u1	R9	C5	R11	R10	C6
DA14580	0ohm	NP	NP	NP	NP
DA14581	0ohm	NP	NP	NP	NP
DA14583	0ohm	NP	NP	0ohm	100nF
DA14585 (default)	NP	NP	0ohm	NP	NP
DA14586	NP	NP	NP	0ohm	100nF

<Variant Name>

dialog
SEMICONDUCTOR

Dialog Semiconductor
N.E.O. Athinon - Patron 15
26441, Patra, Greece
tel. (+30) 2610390940
fax. (+30) 2610390941

Title:	da1458x_qfn40_prodb	Designer:	PR	Rev:	A
Doc. Nr.		Date:	Friday, May 05, 2017	Sheet:	1 of 1