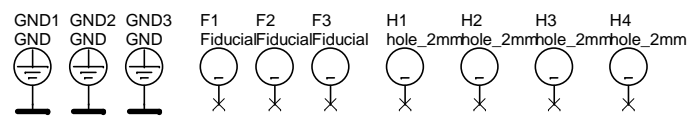
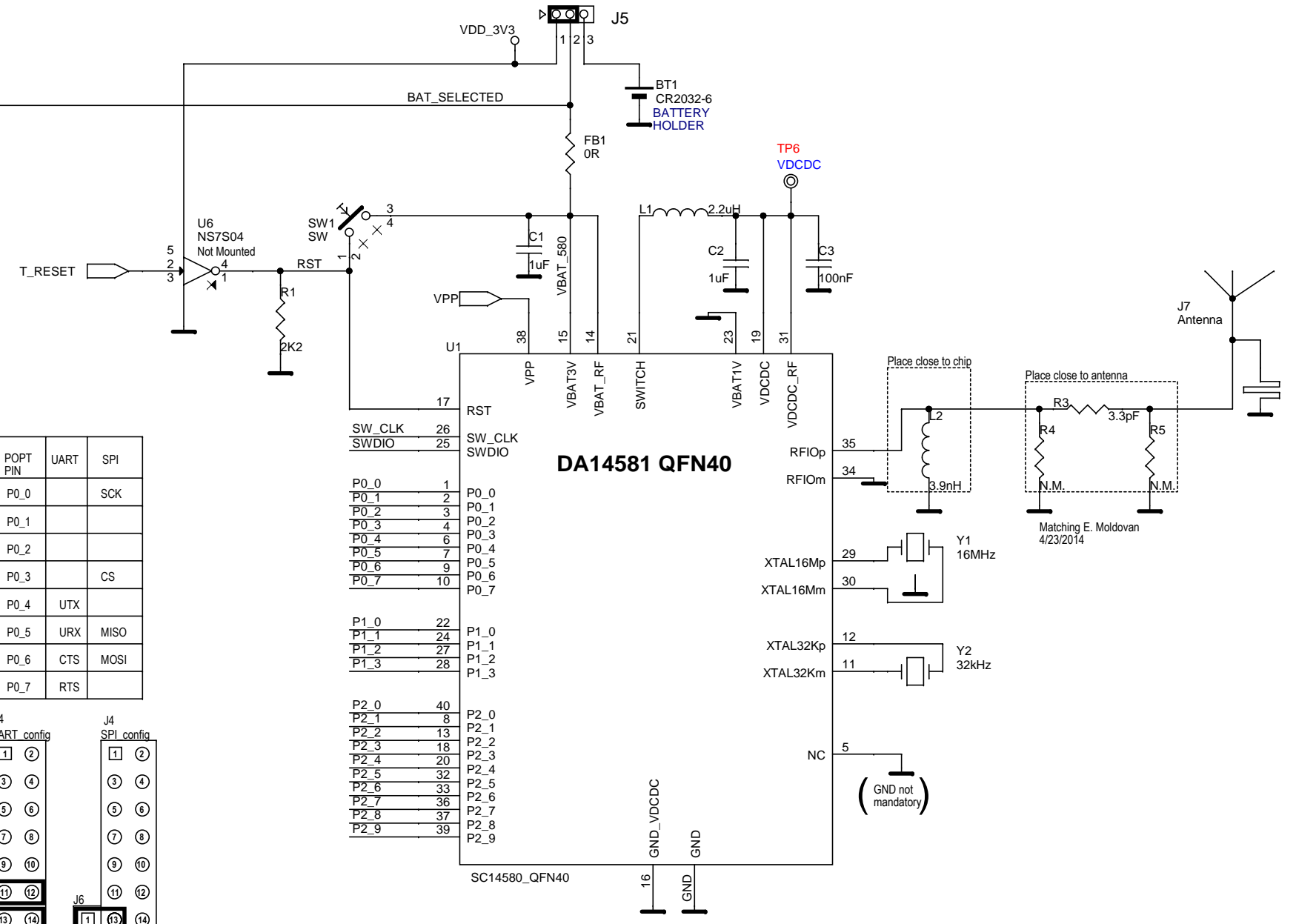
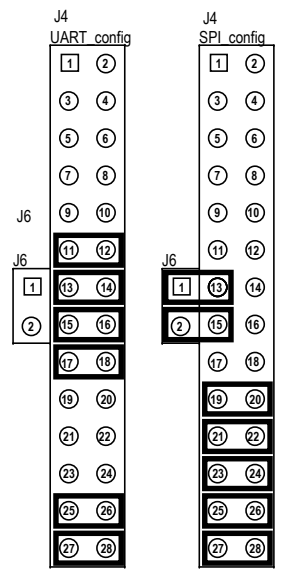


POPT PIN	UART	SPI
P0_0		SCK
P0_1		
P0_2		
P0_3		CS
P0_4	UTX	
P0_5	URX	MISO
P0_6	CTS	MOSI
P0_7	RTS	



Dialog Semiconductor
Het Zuiderkruis 53
5215 MV 's-Hertogenbosch
tel. (+31) 73 6408822
fax. (+31) 73 6408823

Title: DA14581DEVKT-B
Doc. Nr. 228-01-A Designer: FvD Rev: A
Date: Tuesday, September 02, 2014 Sheet: 1 of 2