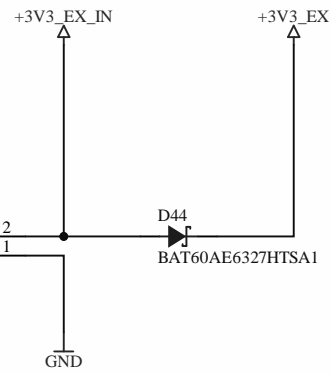
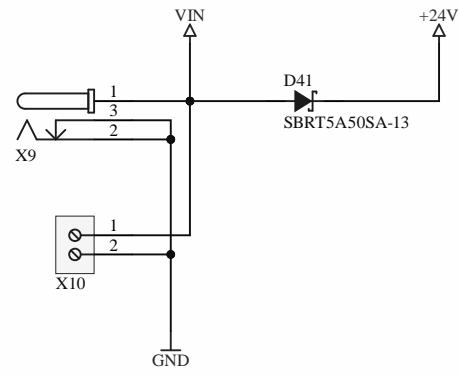
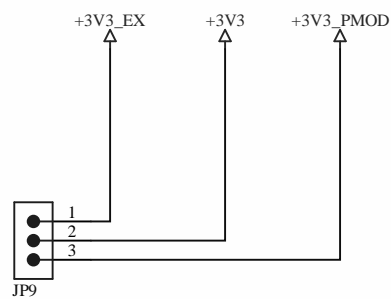


| | | | | | |
|----------------|------|---------|----------|-------------------------------------|--|
| RENESAS | | | | Title: CCE4511-EVAL-V1 | |
| | | | | Project no.: CCE4511 | |
| | | | | (C) Renesas Electronics Corporation | |
| | | | | Subject to change without notice. | |
| | | | | Printed: 19.01.2026 | |
| | | | | Time: 14:40:08 | |
| | | | | Variants: [No Variations] | |
| | | | | Drawn by: S. Baeder | |
| Change | Date | Created | Approved | File: IOL2.SchDoc | |

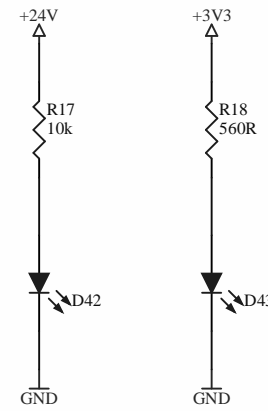
Power Connectors



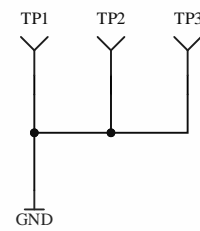
+3V3 Power Select



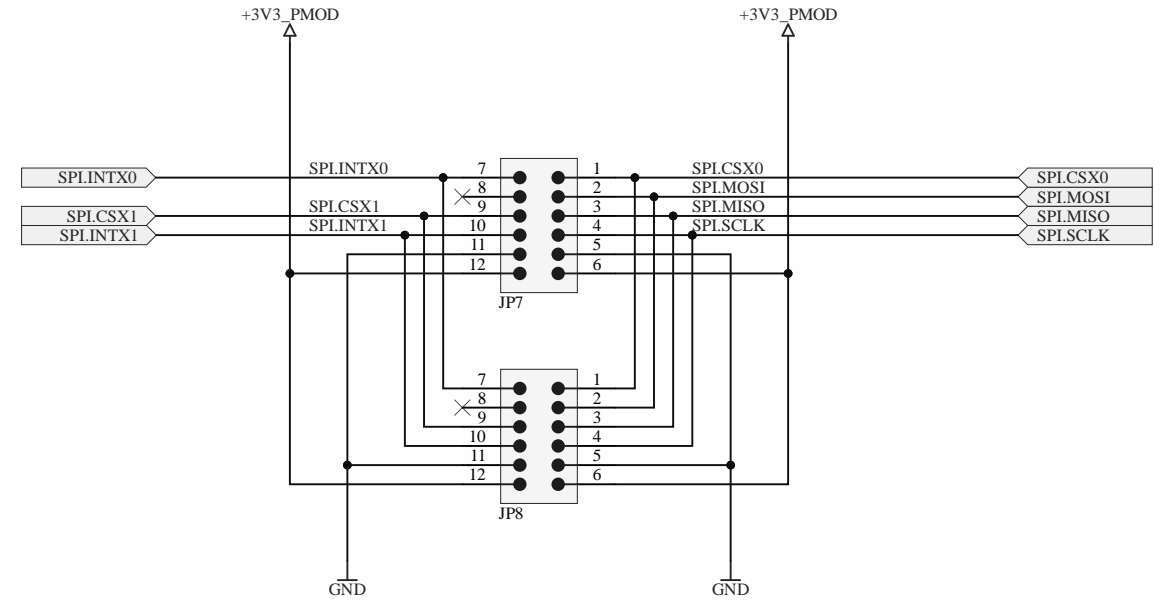
Power LEDs



GND Test Points



PMOD Connector



PMOD Interface Typ 2A (expanded SPI)

| Pin # | Signal | Direction | Alternate Signal | Direction |
|-------|--------|-----------|------------------|-----------|
| 1 | CS | Out | - | - |
| 2 | MOSI | Out | - | - |
| 3 | MISO | In | - | - |
| 4 | SCK | Out | - | - |
| 5 | GND | | | |
| 6 | VCC | | | |
| 7 | GPIO | In/Out | INT | In |
| 8 | GPIO | In/Out | RESET | Out |
| 9 | GPIO | In/Out | CS2 | Out |
| 10 | GPIO | In/Out | CS3 | Out |
| 11 | GND | | | |
| 12 | VCC | | | |

| | | | | | | | |
|--------|------|---------|----------|--------------------|--|-------------------------------------|--|
| | | | | RENESAS | | Title: CCE4511-EVAL-V1 | |
| | | | | | | Project no.: CCE4511 | |
| | | | | | | (C) Renesas Electronics Corporation | |
| | | | | | | Subject to change without notice. | |
| | | | | | | Rev.: V1 | |
| | | | | | | Sheet 3 of 3 | |
| | | | | | | Printed: 19.01.2026 | |
| | | | | | | Time: 14:40:08 | |
| | | | | | | Variants: [No Variations] | |
| | | | | | | Drawn by: S. Baeder | |
| Change | Date | Created | Approved | File: Power.SchDoc | | | |