

JESD204B ADC Evaluation Board Schematics:

ADC1443D125W1-DB

ADC1443D160W1-DB

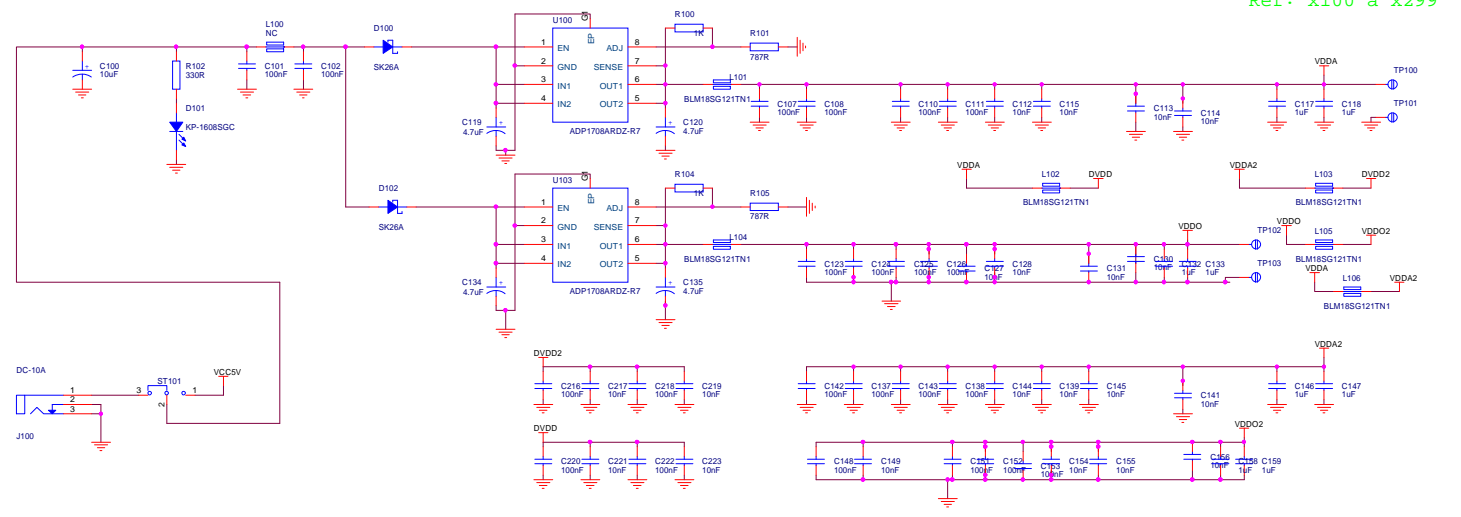
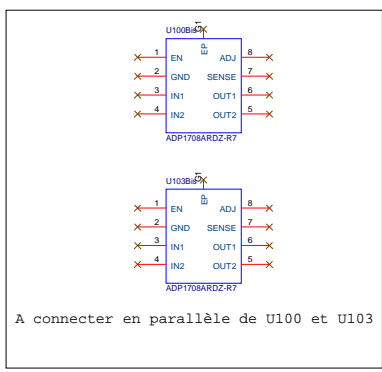
ADC1159D250W1-DB

ADC1453D250W1-DB

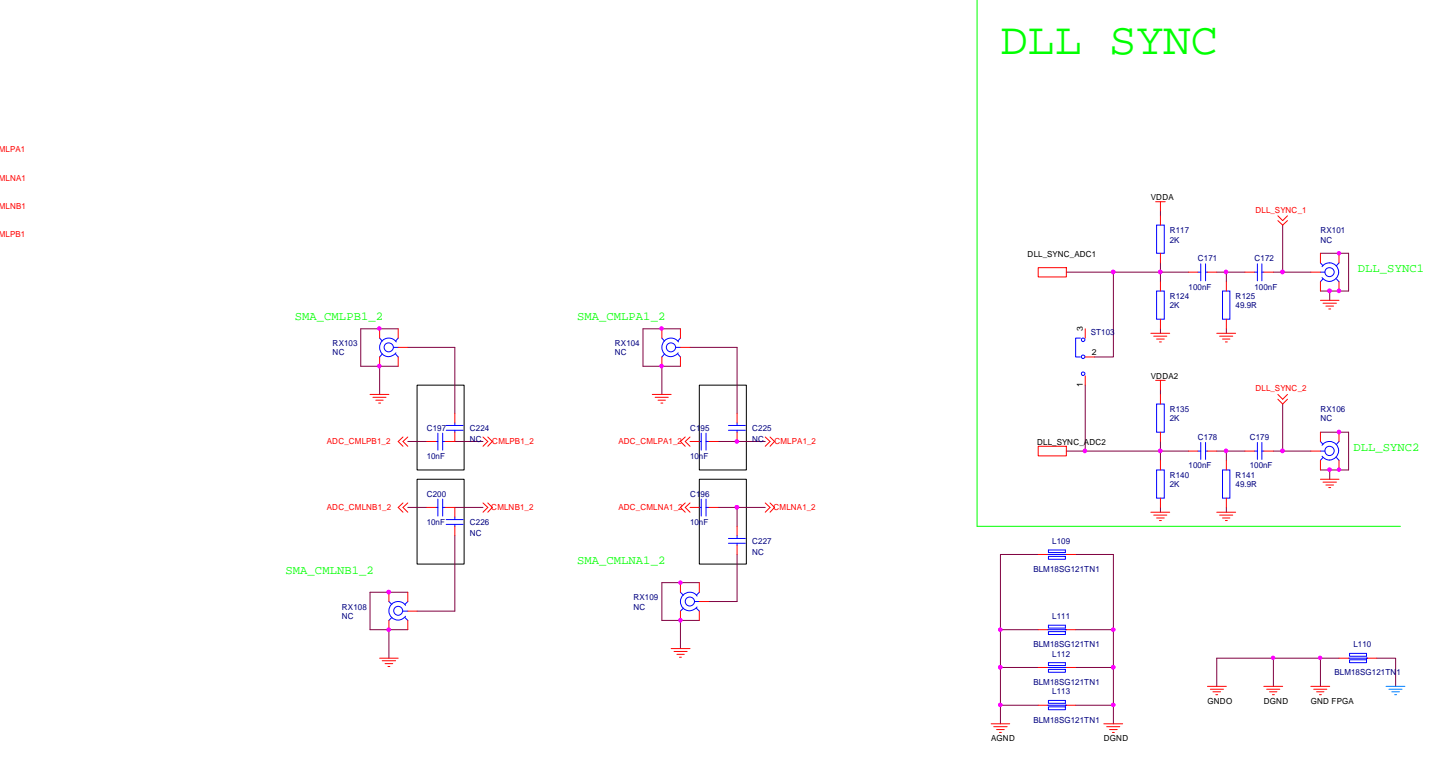
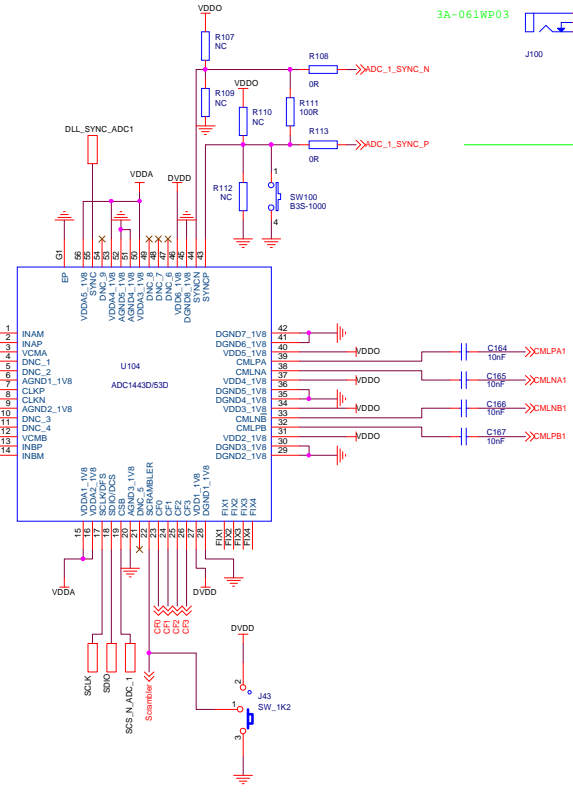
BSX0254-2.a

On board FPGA, Arria II GX

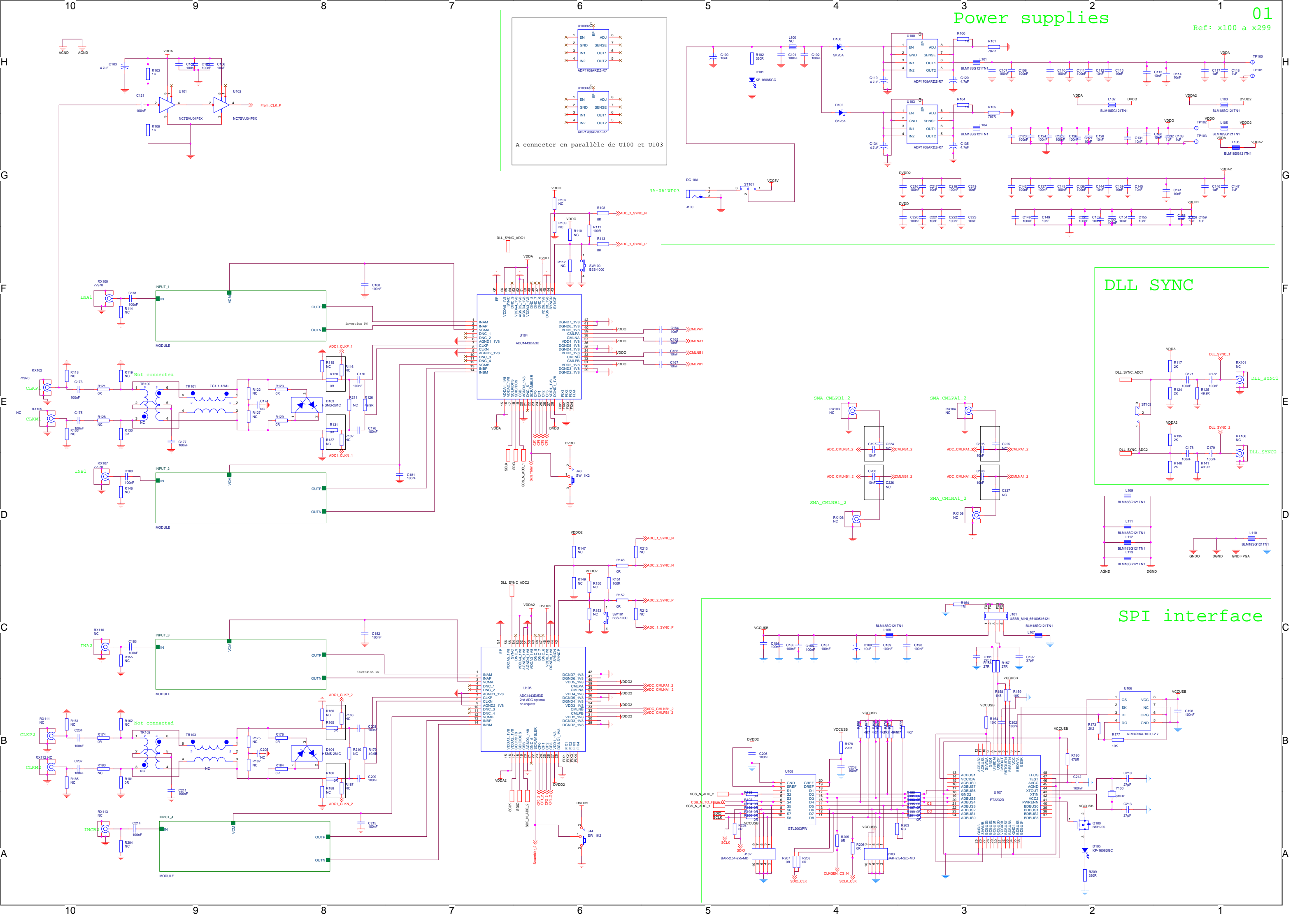
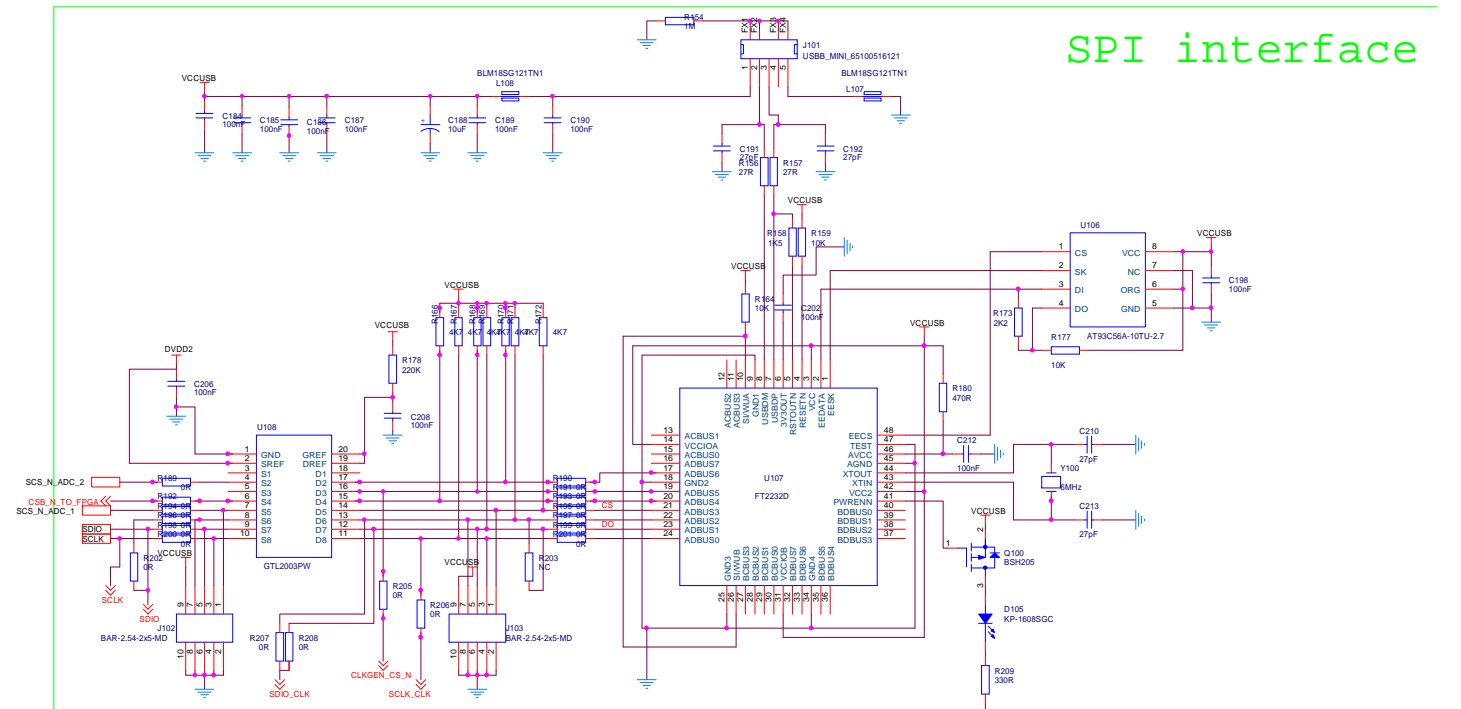
Power supplies

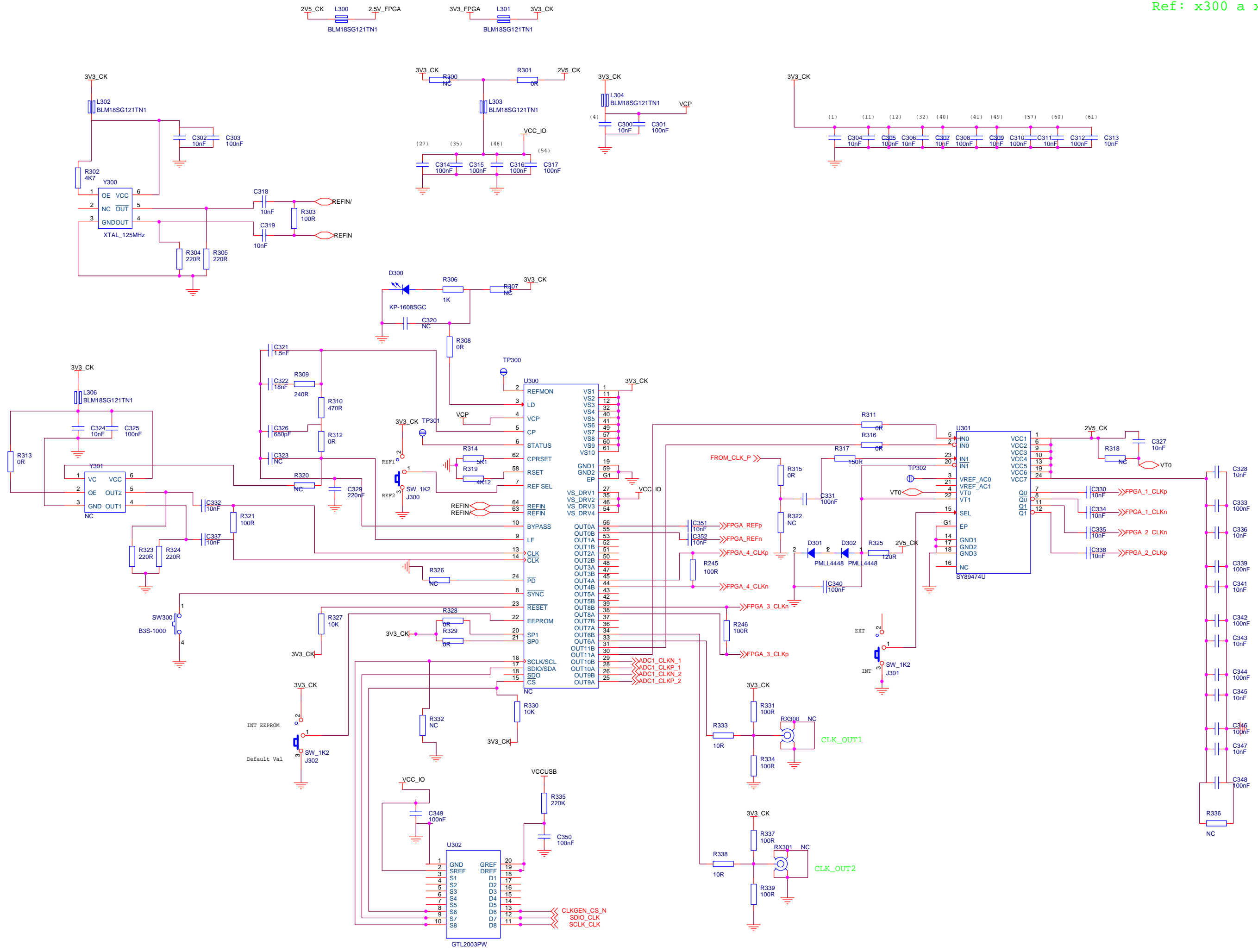


DLL SYNC



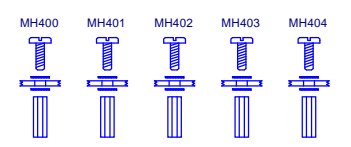
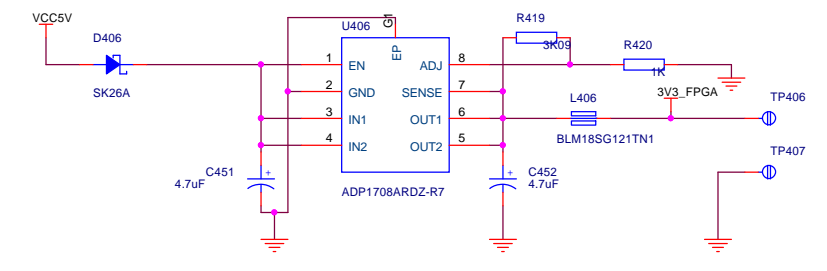
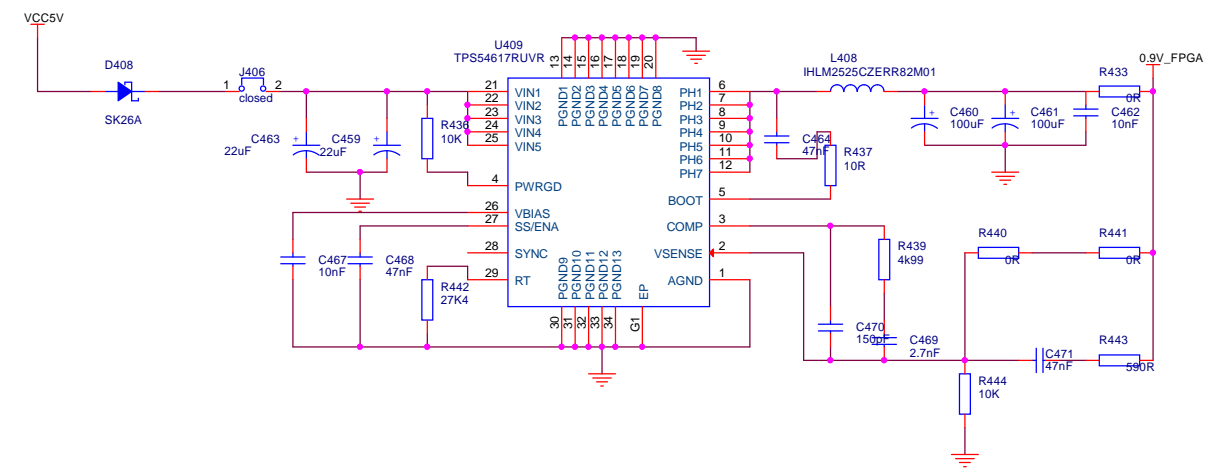
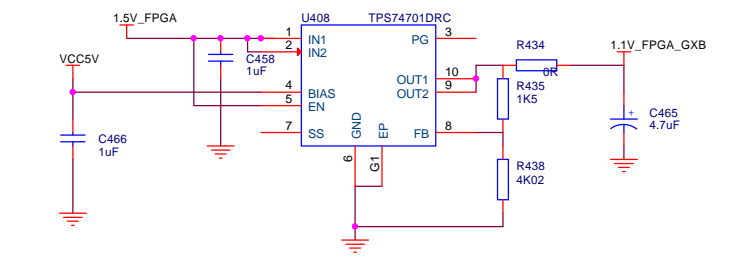
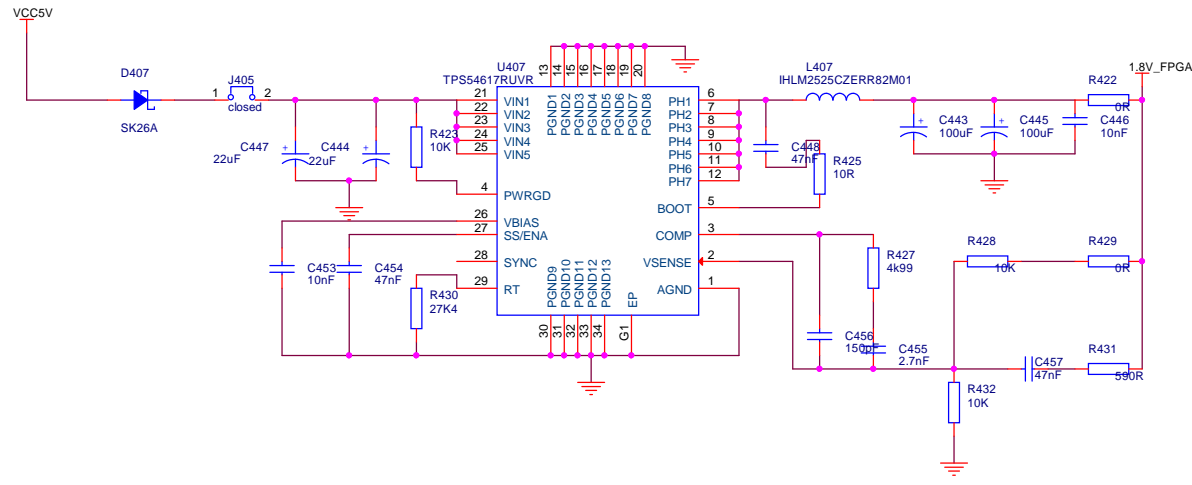
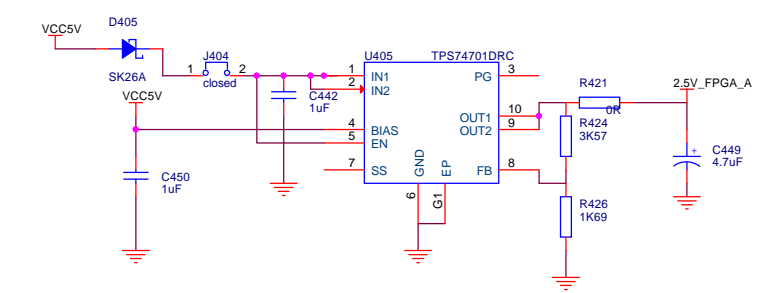
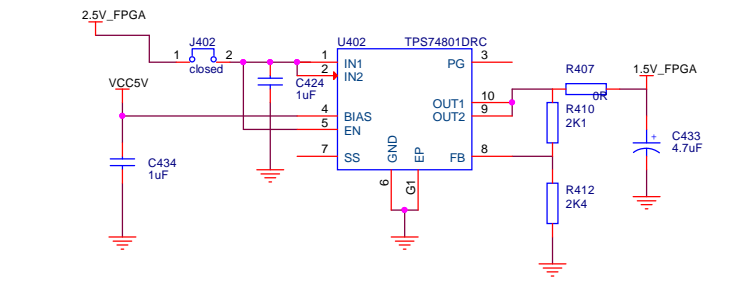
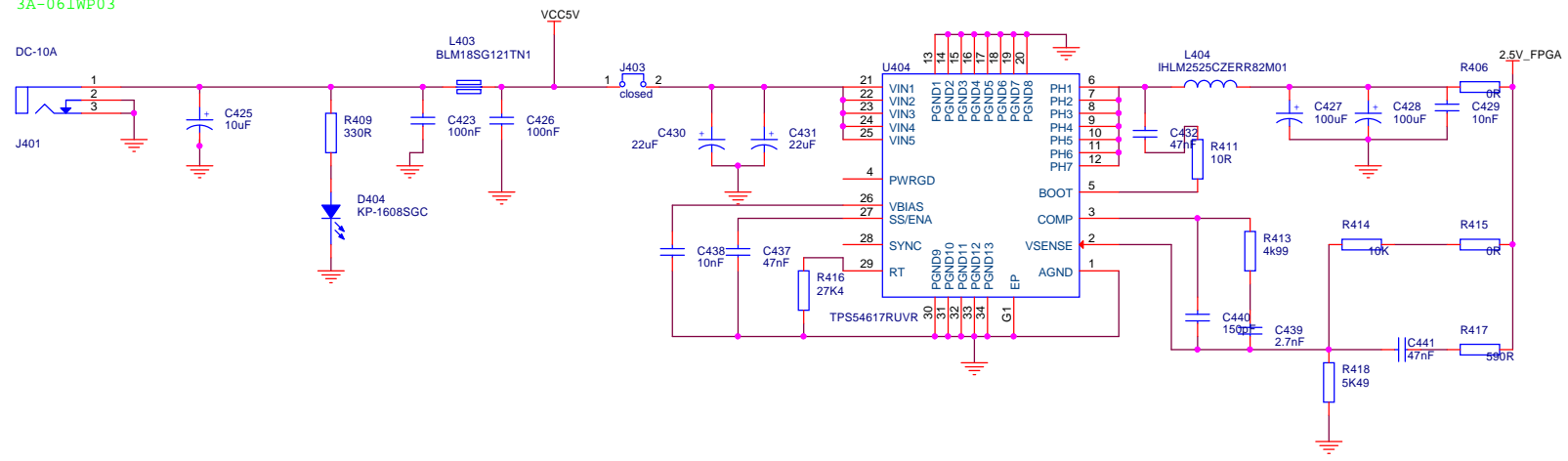
SPI interface

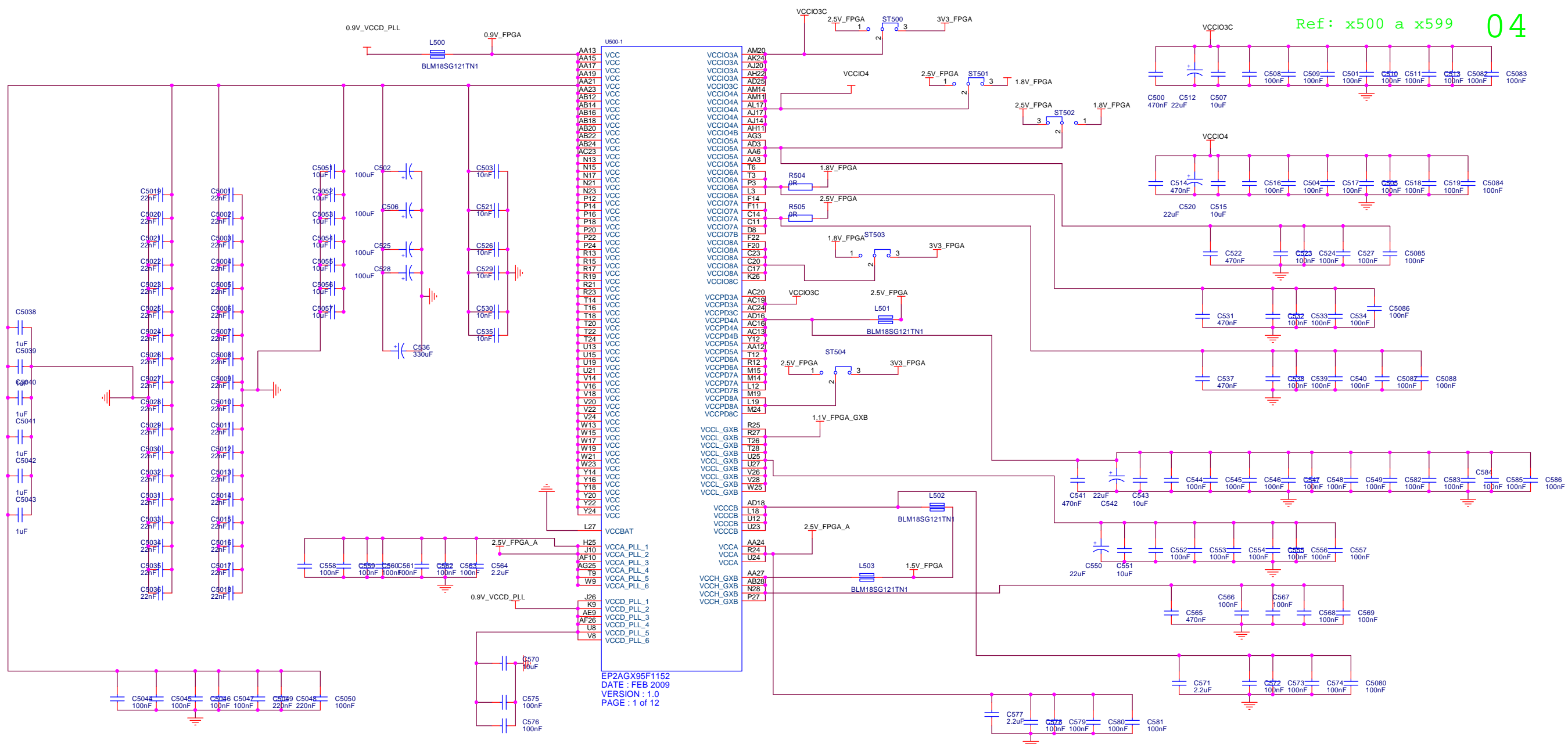




- C328 10nF
- C333 100nF
- C336 10nF
- C339 100nF
- C341 10nF
- C342 100nF
- C343 10nF
- C344 100nF
- C345 10nF
- C346 100nF
- C347 10nF
- C348 100nF
- R336 NC

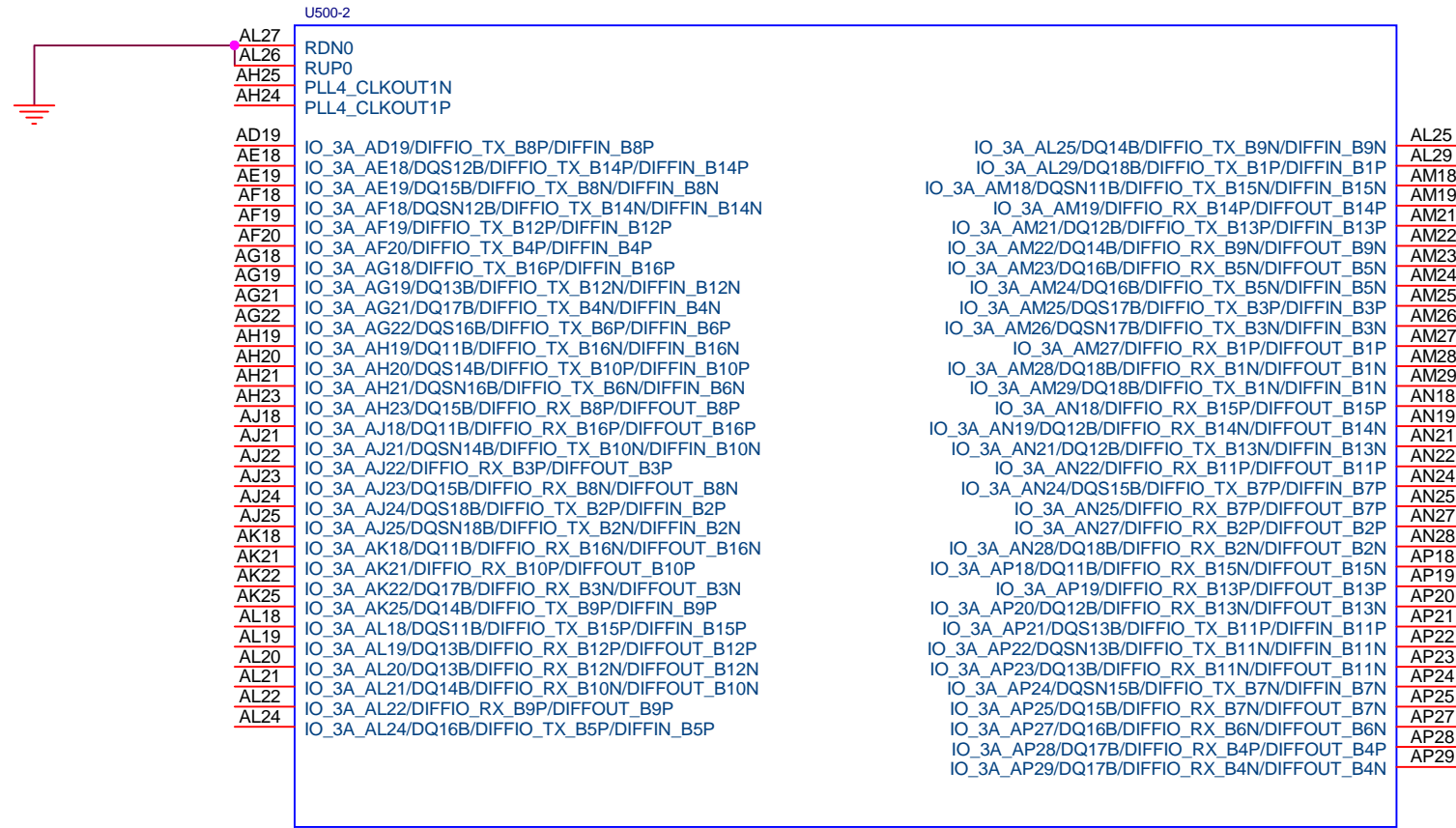
3A-061WP03



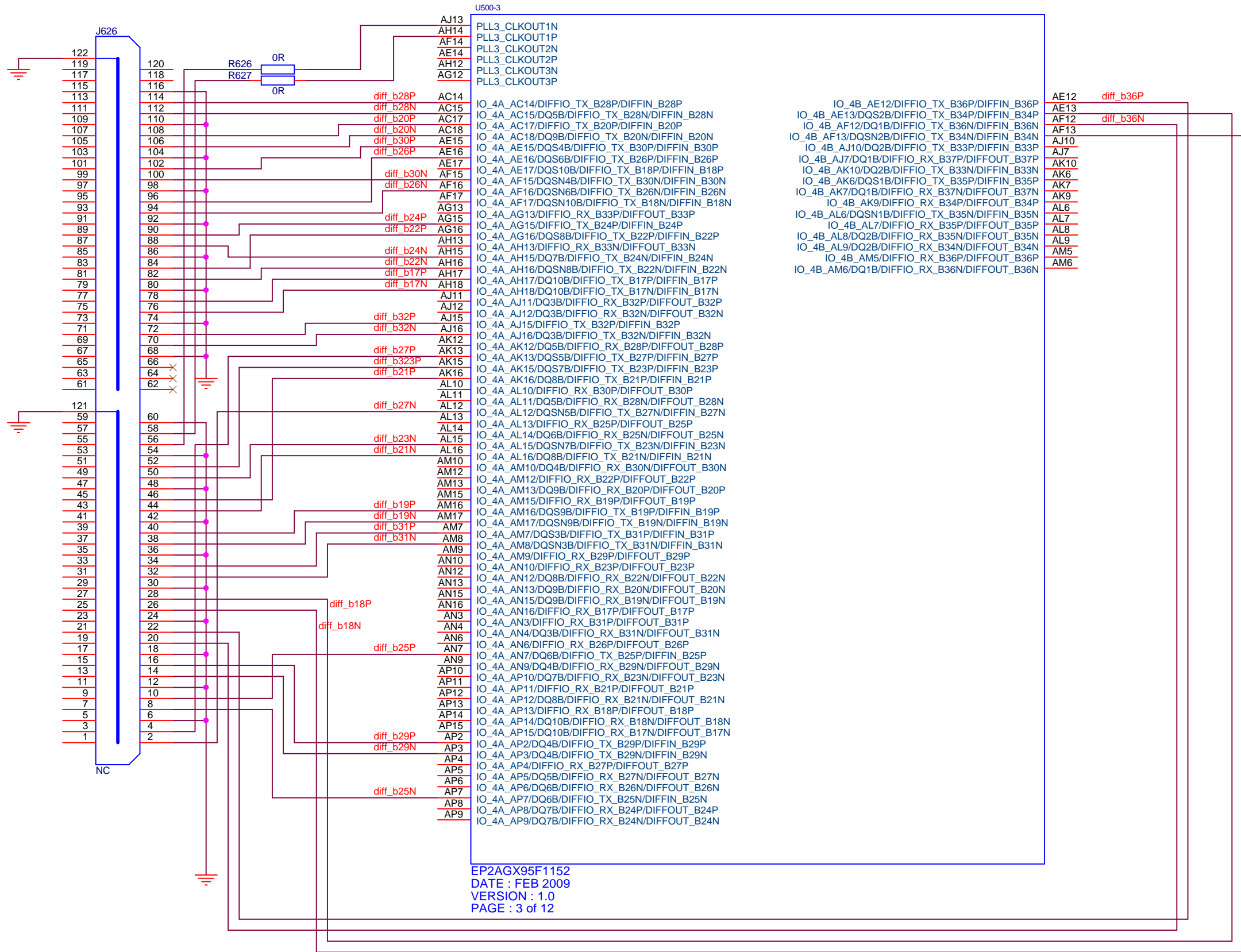


EP2AGX95F1152
 DATE : FEB 2009
 VERSION : 1.0
 PAGE : 1 of 12

Ref: x500 a x599 04



EP2AGX95F1152
 DATE : FEB 2009
 VERSION : 1.0
 PAGE : 2 of 12



U500-5

C1	IO_6A_C1/DQ3R/DIFFIO_RX_R28N/DIFFOUT_R28N	IO_6A_P10/DIFFIO_TX_R28P/DIFFIN_R28P	P10	<<<DLL_SYNC_1
C2	IO_6A_C2/DQ3R/DIFFIO_RX_R28P/DIFFOUT_R28P	IO_6A_P4/DIFFIO_RX_R23P/DIFFOUT_R23P	P4	
D1	IO_6A_D1/DQ4R/DIFFIO_RX_R26N/DIFFOUT_R26N	IO_6A_P7/DQSN4R/DIFFIO_TX_R26N/DIFFIN_R26N	P7	<<<DLL_SYNC_2
D2	IO_6A_D2/DIFFIO_RX_R26P/DIFFOUT_R26P	IO_6A_P9/DQ3R/DIFFIO_TX_R28N/DIFFIN_R28N	P9	
E1	IO_6A_E1/DIFFIO_RX_R25P/DIFFOUT_R25P	IO_6A_R1/DIFFIO_RX_R18P/DIFFOUT_R18P	R1	>>>SCS_N_ADC_2
F1	IO_6A_F1/DQ4R/DIFFIO_RX_R25N/DIFFOUT_R25N	IO_6A_R10/DQSN6R/DIFFIO_TX_R22N/DIFFIN_R22N	R10	
G1	IO_6A_G1/DQ4R/DIFFIO_TX_R25P/DIFFIN_R25P	IO_6A_R11/DQS6R/DIFFIO_TX_R22P/DIFFIN_R22P	R11	>>>SCS_N_ADC_1
H1	IO_6A_H1/DQ4R/DIFFIO_TX_R25N/DIFFIN_R25N	IO_6A_R2/DQS7R/DIFFIO_TX_R19P/DIFFIN_R19P	R2	
J1	IO_6A_J1/DQ5R/DIFFIO_RX_R24N/DIFFOUT_R24N	IO_6A_R3/DQ5R/DIFFIO_RX_R23N/DIFFOUT_R23N	R3	
J2	IO_6A_J2/DQ5R/DIFFIO_RX_R24P/DIFFOUT_R24P	IO_6A_R4/DQ6R/DIFFIO_TX_R21P/DIFFIN_R21P	R4	
J3	IO_6A_J3/DQ1R/DIFFIO_RX_R31N/DIFFOUT_R31N	IO_6A_R5/DQ6R/DIFFIO_RX_R21N/DIFFOUT_R21N	R5	
J4	IO_6A_J4/DQSN1R/DIFFIO_TX_R31N/DIFFIN_R31N	IO_6A_R6/DIFFIO_RX_R21P/DIFFOUT_R21P	R6	>>>CSB_N_TO_FPGA
J5	IO_6A_J5/DQS1R/DIFFIO_TX_R31P/DIFFIN_R31P	IO_6A_R7/DQ8R/DIFFIO_TX_R17P/DIFFIN_R17P	R7	>>>SCLK
K1	IO_6A_K1/DQS5R/DIFFIO_TX_R23P/DIFFIN_R23P	IO_6A_R8/DQS4R/DIFFIO_TX_R26P/DIFFIN_R26P	R8	>>>SDIO
K4	IO_6A_K4/DQ1R/DIFFIO_RX_R32N/DIFFOUT_R32N	IO_6A_R9/DQ5R/DIFFIO_TX_R24N/DIFFIN_R24N	R9	
K5	IO_6A_K5/DQ1R/DIFFIO_RX_R32P/DIFFOUT_R32P	IO_6A_T1/DQ8R/DIFFIO_RX_R18N/DIFFOUT_R18N	T1	
L1	IO_6A_L1/DQSN5R/DIFFIO_TX_R23N/DIFFIN_R23N	IO_6A_T10/DIFFIO_TX_R24P/DIFFIN_R24P	T10	>>>CF3_2
M1	IO_6A_M1/DQ6R/DIFFIO_RX_R22N/DIFFOUT_R22N	IO_6A_T4/DQ6R/DIFFIO_TX_R21N/DIFFIN_R21N	T4	
M2	IO_6A_M2/DIFFIO_RX_R22P/DIFFOUT_R22P	IO_6A_T7/DQ8R/DIFFIO_TX_R17N/DIFFIN_R17N	T7	>>>CF2_2
M3	IO_6A_M3/DQS3R/DIFFIO_TX_R27P/DIFFIN_R27P	IO_6A_U1/DQ8R/DIFFIO_RX_R17N/DIFFOUT_R17N	U1	>>>CF1_2
N1	IO_6A_N1/DQ7R/DIFFIO_RX_R20N/DIFFOUT_R20N	IO_6A_U10/DQSN8R/DIFFIO_TX_R18N/DIFFIN_R18N	U10	
N2	IO_6A_N2/DQ7R/DIFFIO_RX_R20P/DIFFOUT_R20P	IO_6A_U11/DQS8R/DIFFIO_TX_R18P/DIFFIN_R18P	U11	>>>CF0_2
N3	IO_6A_N3/DQSN3R/DIFFIO_TX_R27N/DIFFIN_R27N	IO_6A_U2/DIFFIO_RX_R17P/DIFFOUT_R17P	U2	
N4	IO_6A_N4/DQ3R/DIFFIO_RX_R27N/DIFFOUT_R27N	IO_6A_U3/DQ7R/DIFFIO_RX_R19N/DIFFOUT_R19N	U3	>>>CF3
N5	IO_6A_N5/DIFFIO_RX_R27P/DIFFOUT_R27P	IO_6A_U4/DIFFIO_RX_R19P/DIFFOUT_R19P	U4	>>>CF2
N9	IO_6A_N9/DQ1R/DIFFIO_TX_R32N/DIFFIN_R32N	IO_6A_U9/DIFFIO_TX_R20P/DIFFIN_R20P	U9	>>>CF1
P1	IO_6A_P1/DQSN7R/DIFFIO_TX_R19N/DIFFIN_R19N	IO_6A_V9/DQ7R/DIFFIO_TX_R20N/DIFFIN_R20N	V9	>>>CF0

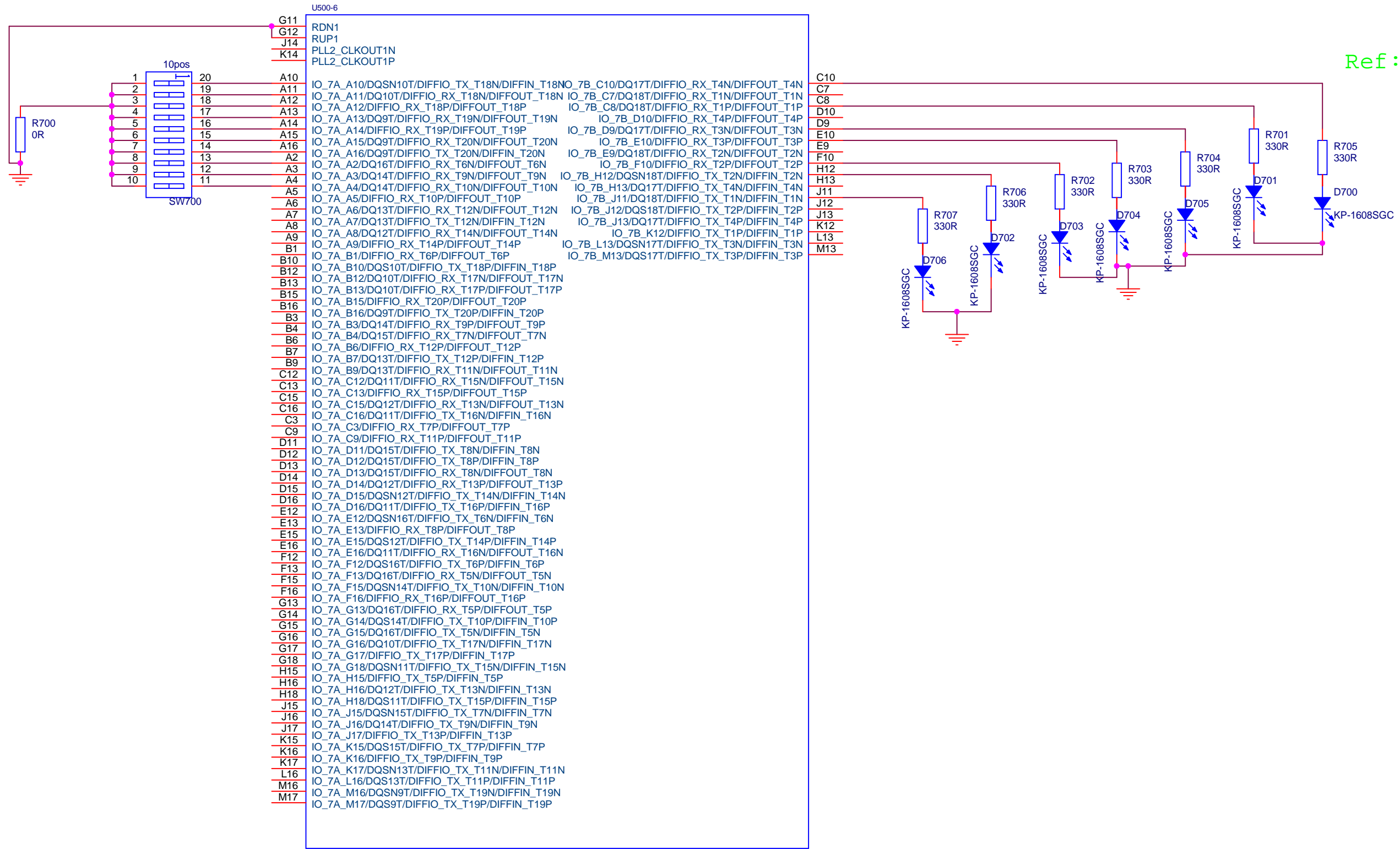
ADC_1_SYNC_N <<<
ADC_1_SYNC_P <<<
ADC_2_SYNC_P <<<

ADC_2_SYNC_N <<<

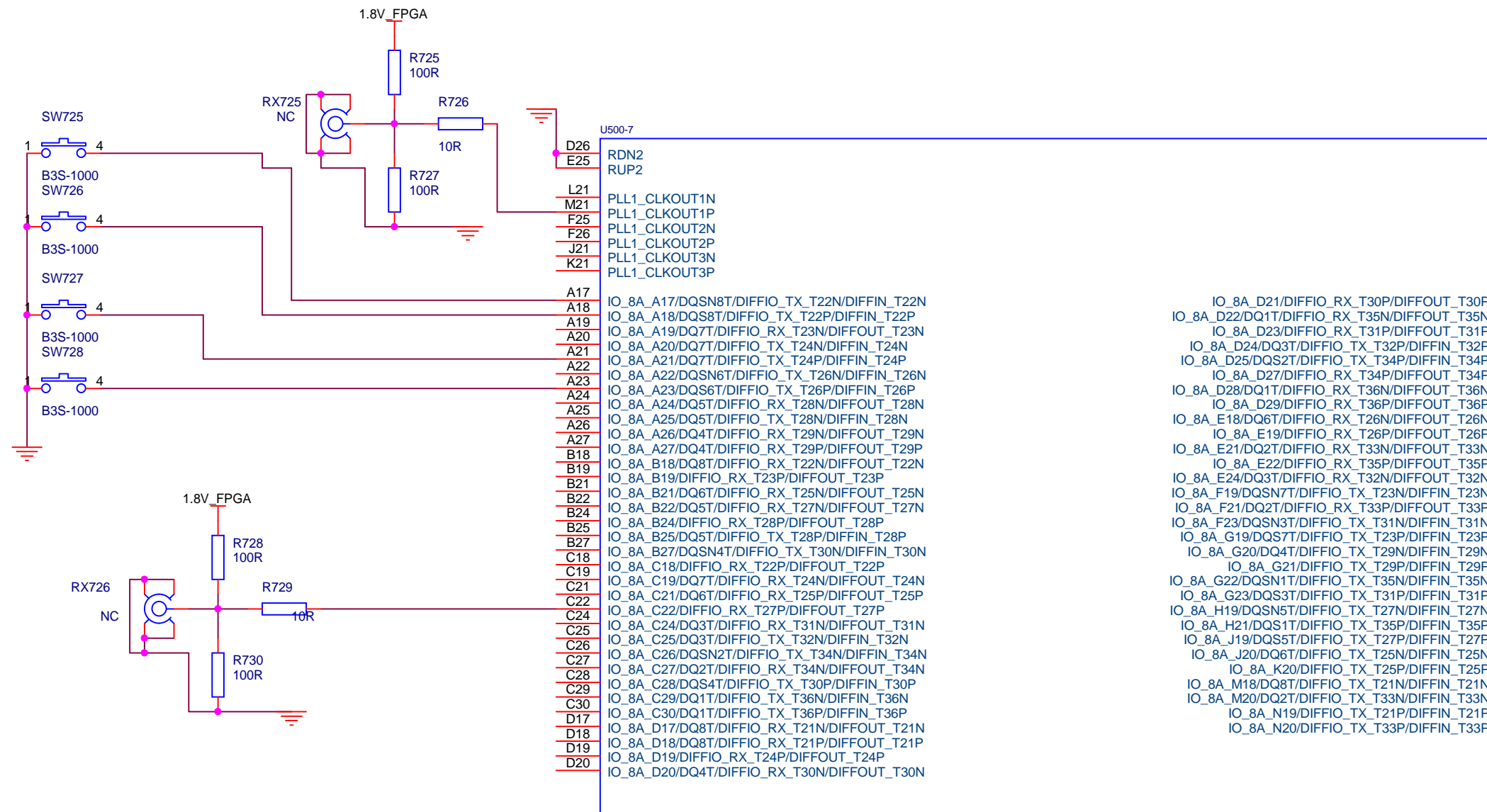
Scrambler <<<

Scrambler_2 <<<

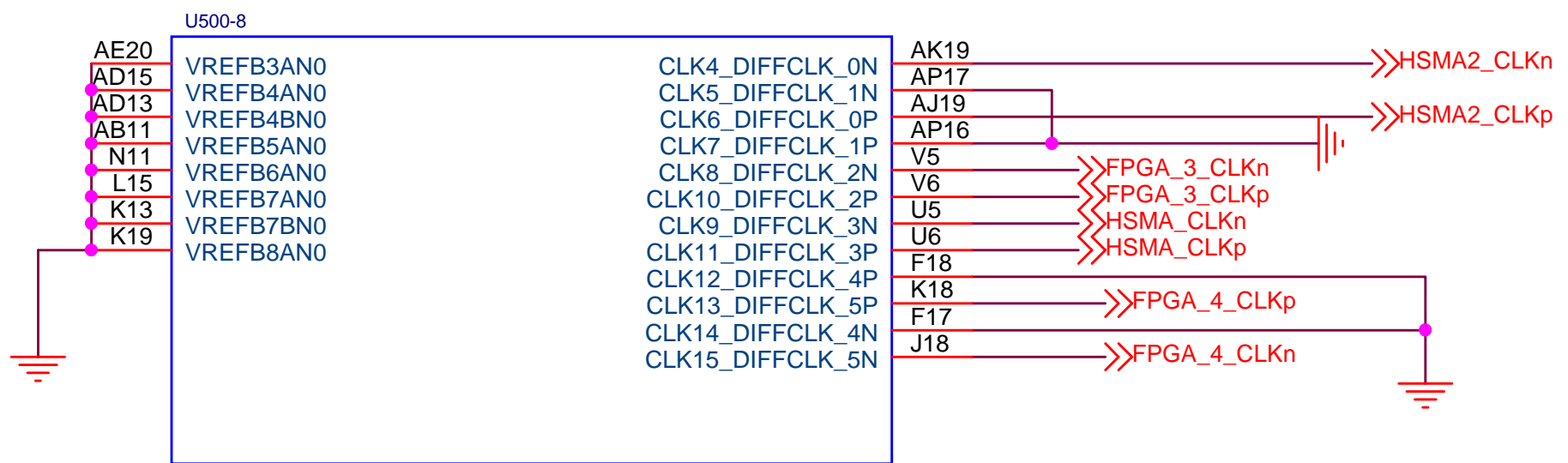
EP2AGX95F1152
DATE : FEB 2009
VERSION : 1.0
PAGE : 5 of 12



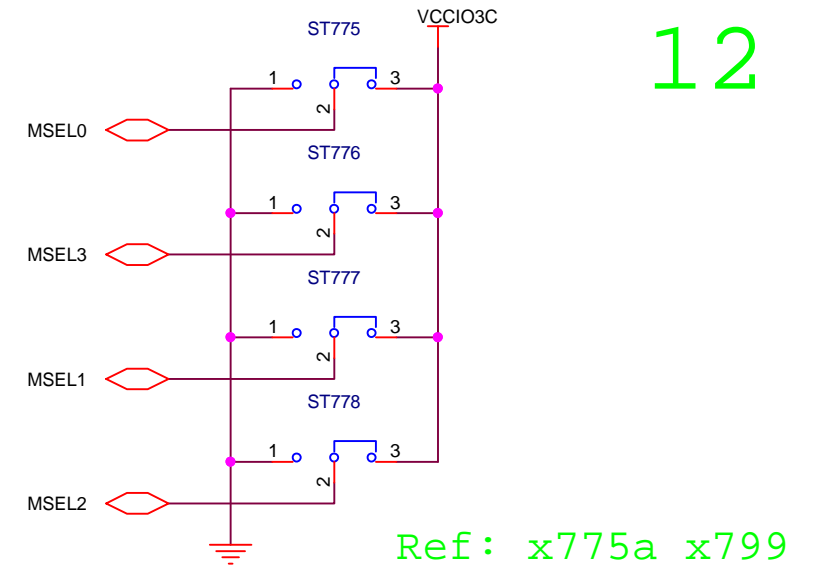
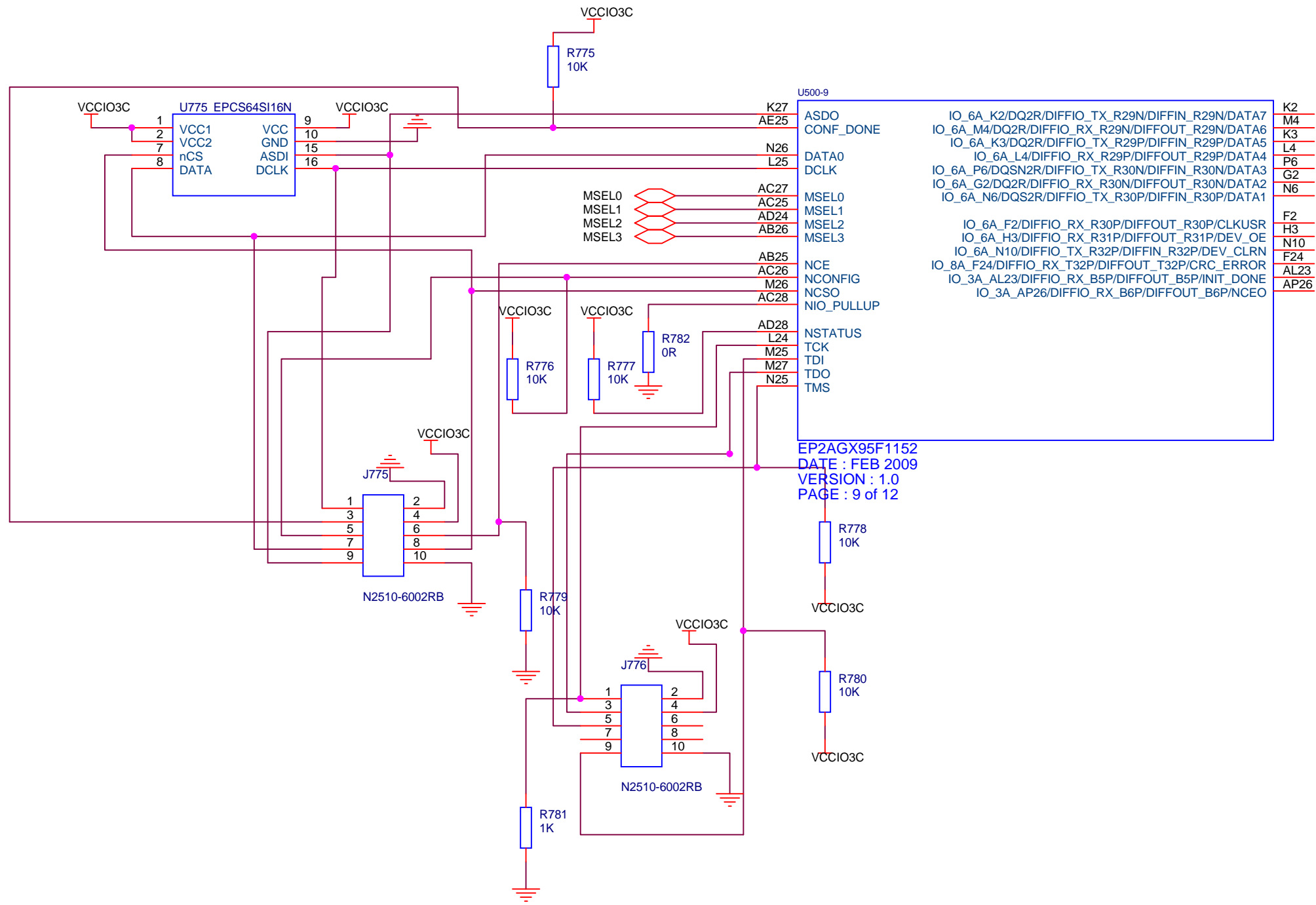
EP2AGX95F1152
 DATE : FEB 2009
 VERSION : 1.0
 PAGE : 6 of 12



EP2AGX95F1152
 DATE : FEB 2009
 VERSION : 1.0
 PAGE : 7 of 12



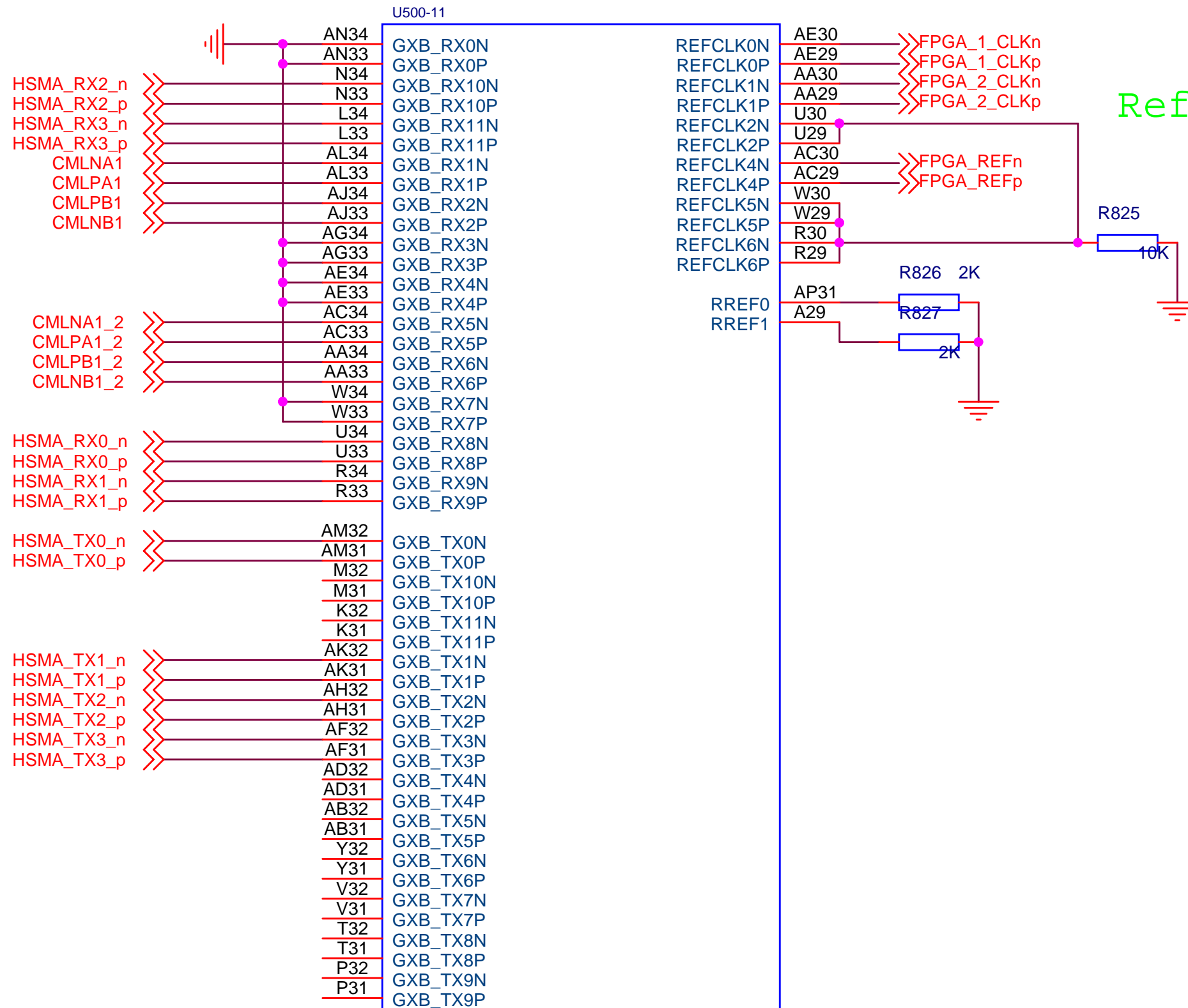
EP2AGX95F1152
DATE : FEB 2009
VERSION : 1.0
PAGE : 8 of 12



EP2AGX95F1152
DATE : FEB 2009
VERSION : 1.0
PAGE : 9 of 12

AC10	NC_AC10	NC_F32	F32
AC11	NC_AC11	NC_F31	F31
AC12	NC_AC12	NC_F30	F30
AC21	NC_AC21	NC_F3	F3
AC22	NC_AC22	NC_F29	F29
AC8	NC_AC8	NC_F28	F28
AC9	NC_AC9	NC_F27	F27
AD10	NC_AD10	NC_E7	E7
AD11	NC_AD11	NC_E6	E6
AD12	NC_AD12	NC_E4	E4
AD21	NC_AD21	NC_E34	E34
AD22	NC_AD22	NC_E33	E33
AD9	NC_AD9	NC_E30	E30
AE11	NC_AE11	NC_E3	E3
AE21	NC_AE21	NC_E28	E28
AE22	NC_AE22	NC_E27	E27
AE23	NC_AE23	NC_E27	E27
AE24	NC_AE23	NC_F4	F4
AE26	NC_AE24	NC_F5	F5
AE27	NC_AE26	NC_F6	F6
AE28	NC_AE27	NC_F7	F7
AE28	NC_AE27	NC_F8	F8
AE5	NC_AE28	NC_F9	F9
AE6	NC_AE5	NC_F9	F9
AE7	NC_AE6	NC_G10	G10
AE8	NC_AE7	NC_G24	G24
AF11	NC_AE8	NC_G25	G25
AF21	NC_AF11	NC_G26	G26
AF22	NC_AF21	NC_G27	G27
AF23	NC_AF22	NC_G28	G28
AF24	NC_AF23	NC_G29	G29
AF25	NC_AF24	NC_G3	G3
AF27	NC_AF25	NC_G30	G30
AF28	NC_AF27	NC_G33	G33
AF5	NC_AF28	NC_G34	G34
AF6	NC_AF5	NC_G4	G4
AF7	NC_AF6	NC_G5	G5
AF8	NC_AF7	NC_G6	G6
AF8	NC_AF8	NC_G7	G7
AG10	NC_AF8	NC_G7	G7
AG24	NC_AG10	NC_G8	G8
AG27	NC_AG24	NC_G9	G9
AG28	NC_AG27	NC_H10	H10
AG30	NC_AG28	NC_H22	H22
AG4	NC_AG30	NC_H24	H24
AG6	NC_AG4	NC_H27	H27
AG7	NC_AG6	NC_H28	H28
AG9	NC_AG7	NC_H30	H30
AH10	NC_AG9	NC_H31	H31
AH26	NC_AH10	NC_H32	H32
AH27	NC_AH26	NC_H4	H4
AH28	NC_AH27	NC_H6	H6
AH29	NC_AH28	NC_H7	H7
AH3	NC_AH29	NC_H9	H9
AH30	NC_AH3	NC_H9	H9
AH4	NC_AH30	NC_J23	J23
AH5	NC_AH4	NC_J24	J24
AH6	NC_AH5	NC_J25	J25
AH7	NC_AH6	NC_J27	J27
AH8	NC_AH7	NC_J28	J28
AH9	NC_AH8	NC_J29	J29
AH9	NC_AH9	NC_J29	J29
AJ1	NC_AH9	NC_J30	J30
AJ2	NC_AJ1	NC_J33	J33
AJ26	NC_AJ2	NC_J34	J34
AJ27	NC_AJ26	NC_J6	J6
AJ28	NC_AJ27	NC_J7	J7
AJ29	NC_AJ28	NC_J8	J8
AJ3	NC_AJ29	NC_K11	K11
AJ30	NC_AJ3	NC_K22	K22
AJ4	NC_AJ30	NC_K23	K23
AJ5	NC_AJ4	NC_K24	K24
AJ6	NC_AJ5	NC_K25	K25
AJ8	NC_AJ6	NC_K28	K28
AJ9	NC_AJ8	NC_K6	K6
AK1	NC_AJ9	NC_K7	K7
AK27	NC_AK1	NC_K8	K8
AK28	NC_AK27	NC_L10	L10
AK3	NC_AK28	NC_L11	L11
AK30	NC_AK3	NC_L22	L22
AK4	NC_AK30	NC_L28	L28
AL1	NC_AK4	NC_L29	L29
AL2	NC_AL1	NC_L30	L30
AL28	NC_AL2	NC_L6	L6
AL3	NC_AL28	NC_L7	L7
AL30	NC_AL3	NC_L9	L9
AL4	NC_AL30	NC_M10	M10
AL5	NC_AL4	NC_M11	M11
AM1	NC_AL5	NC_M12	M12
AM2	NC_AM1	NC_M22	M22
AM3	NC_AM2	NC_M23	M23
AM30	NC_AM3	NC_M5	M5
AM4	NC_AM30	NC_M6	M6
AN1	NC_AM4	NC_M7	M7
AN1	NC_AN1	NC_M8	M8
B32	NC_B31	NC_M9	M9
C33	NC_B32	NC_N29	N29
C34	NC_C33	NC_N30	N30
C4	NC_C34	NC_N7	N7
C5	NC_C4	NC_N8	N8
C6	NC_C5	NC_V17	V17
D3	NC_C6	NC_W24	W24
D30	NC_D3	NC_W27	W27
D31	NC_D30	NC_W27	W27
D32	NC_D31	NC_Y26	Y26
D4	NC_D32	NC_Y28	Y28
D5	NC_D4		
D6	NC_D5		
D7	NC_D6		
	NC_D7		

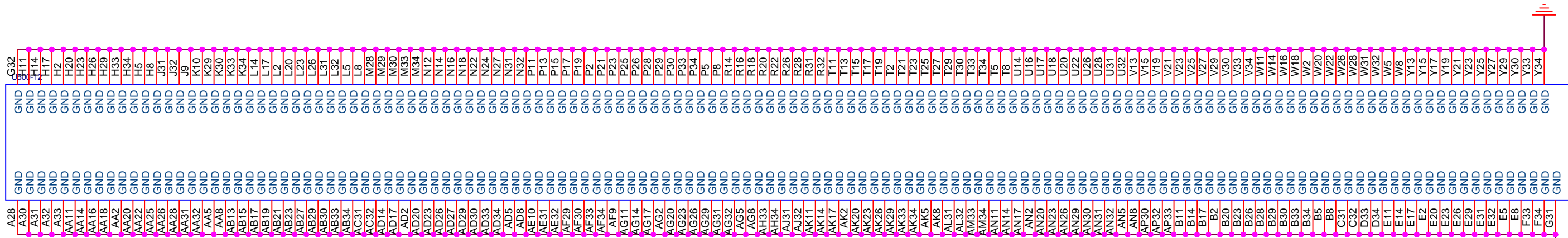
EP2AGX95F1152
DATE : FEB 2009
VERSION : 1.0
PAGE : 10 of 12



14

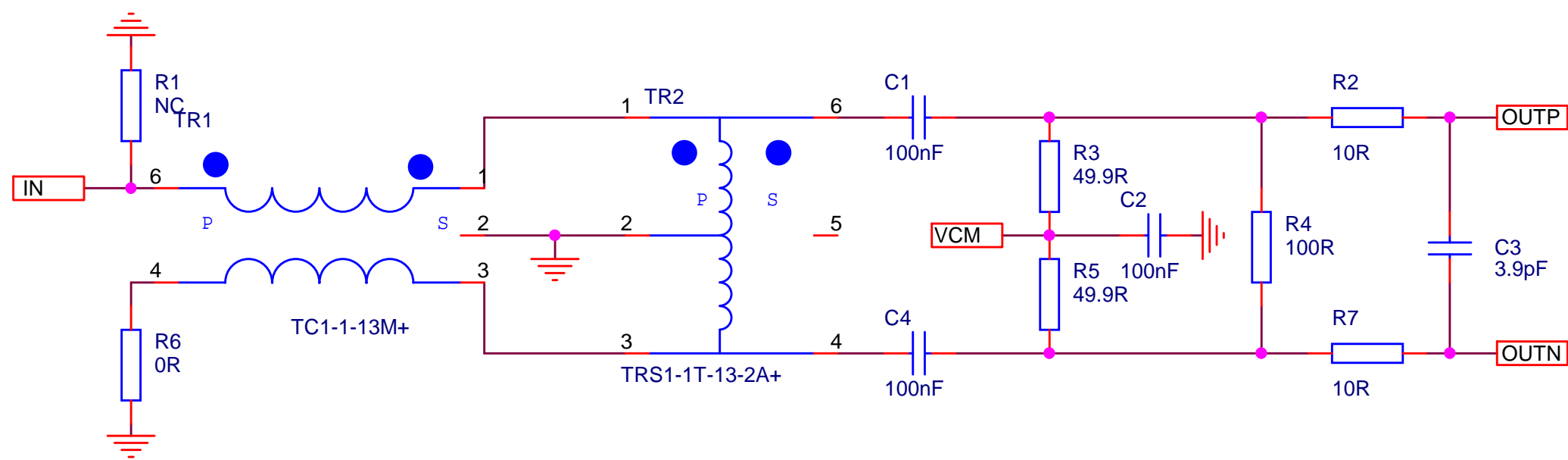
Ref: x825 a x849

EP2AGX95F1152
 DATE : FEB 2009
 VERSION : 1.0
 PAGE : 11 of 12

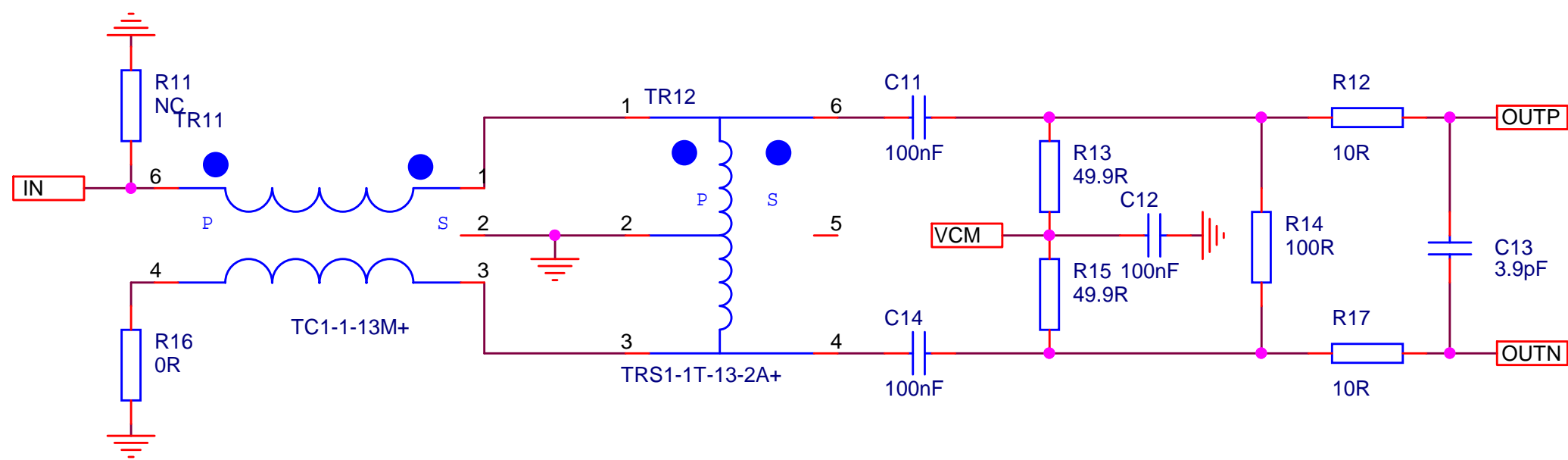


EP2AGX95F1152
DATE : FEB 2009
VERSION : 1.0
PAGE : 12 of 12

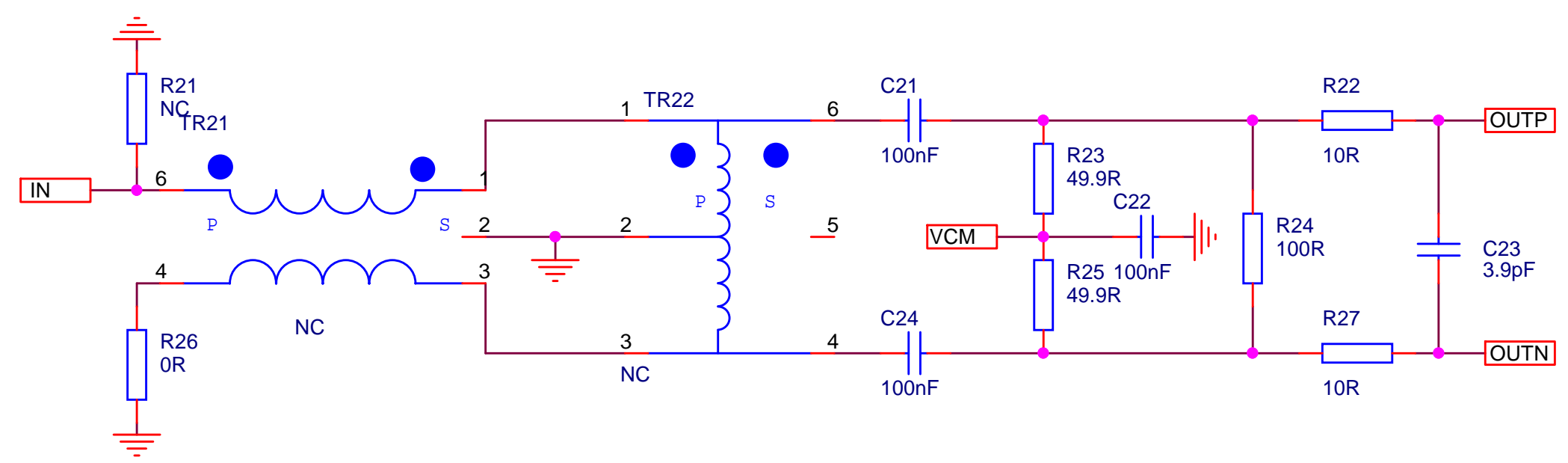
16 - Ref x001 a x010
17 - Ref x011 a x020
18 - Ref x021 a x030
19 - Ref x031 a x040



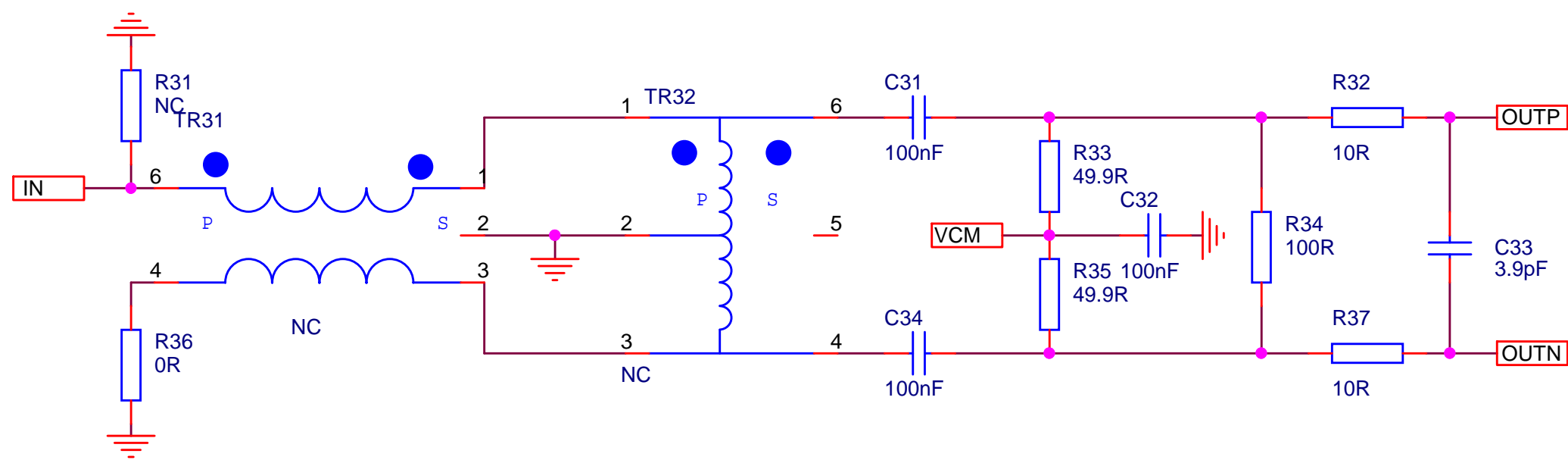
16 - Ref x001 a x010
17 - Ref x011 a x020
18 - Ref x021 a x030
19 - Ref x031 a x040



16 - Ref x001 a x010
17 - Ref x011 a x020
18 - Ref x021 a x030
19 - Ref x031 a x040

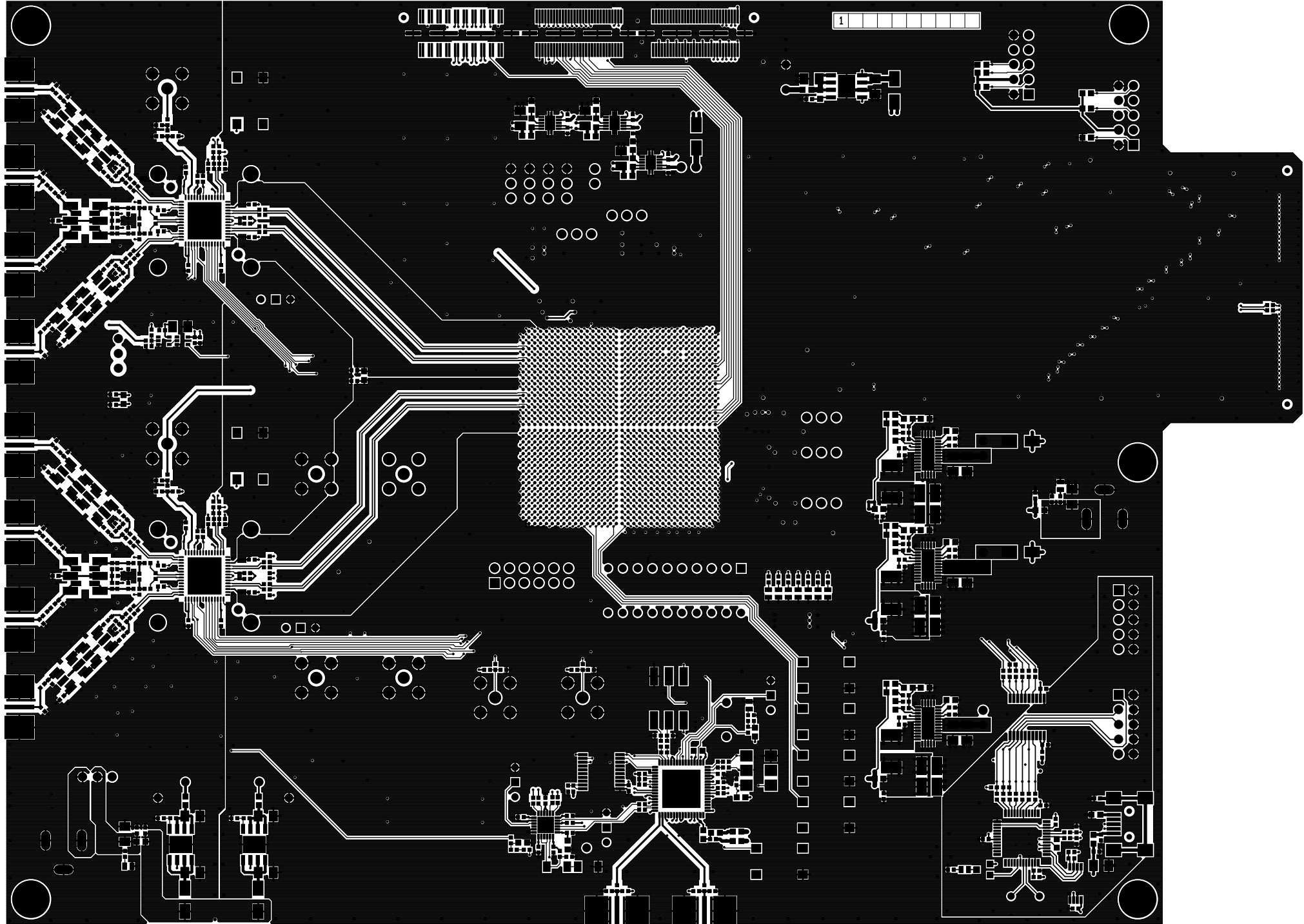


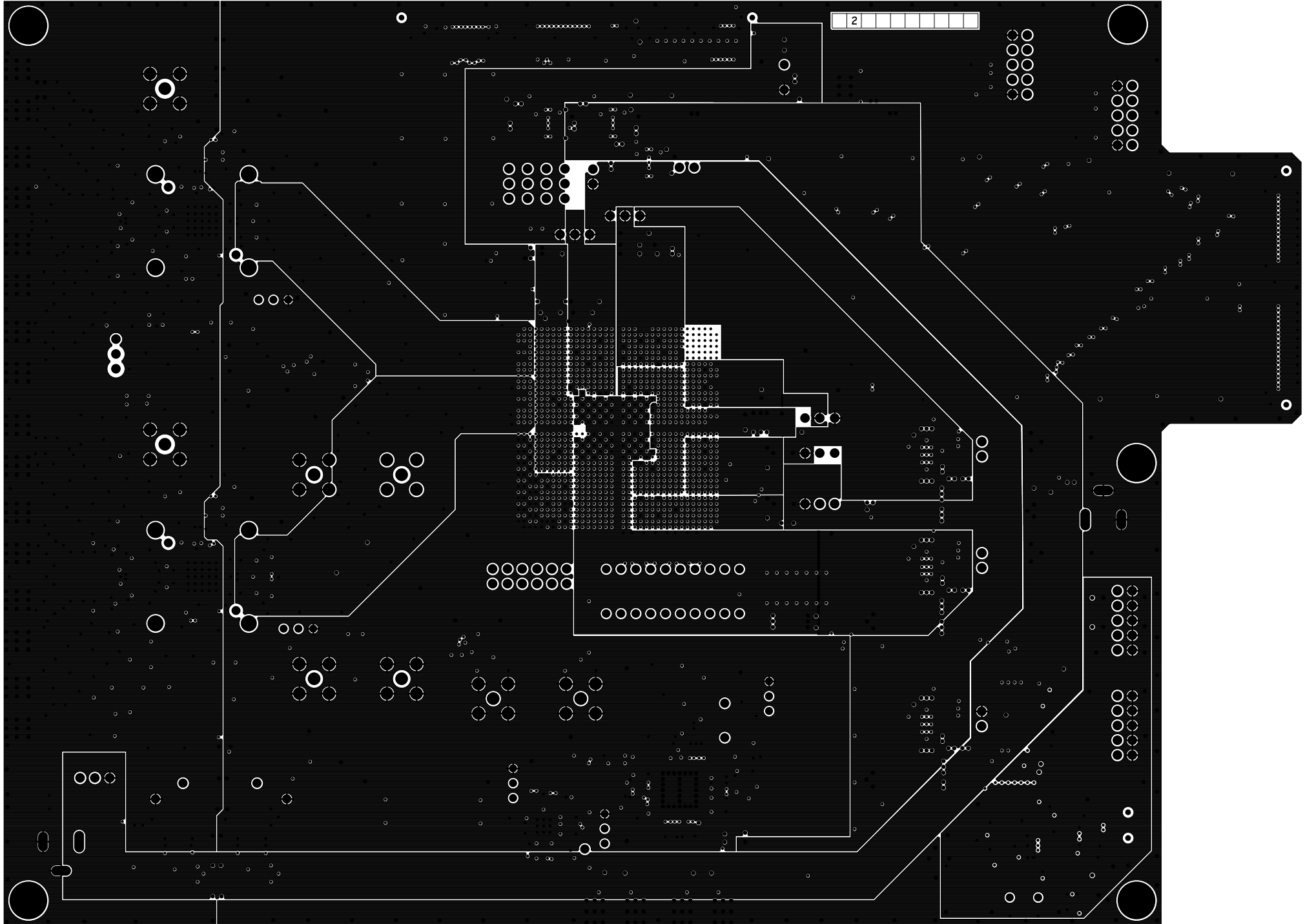
16 - Ref x001 a x010
17 - Ref x011 a x020
18 - Ref x021 a x030
19 - Ref x031 a x040

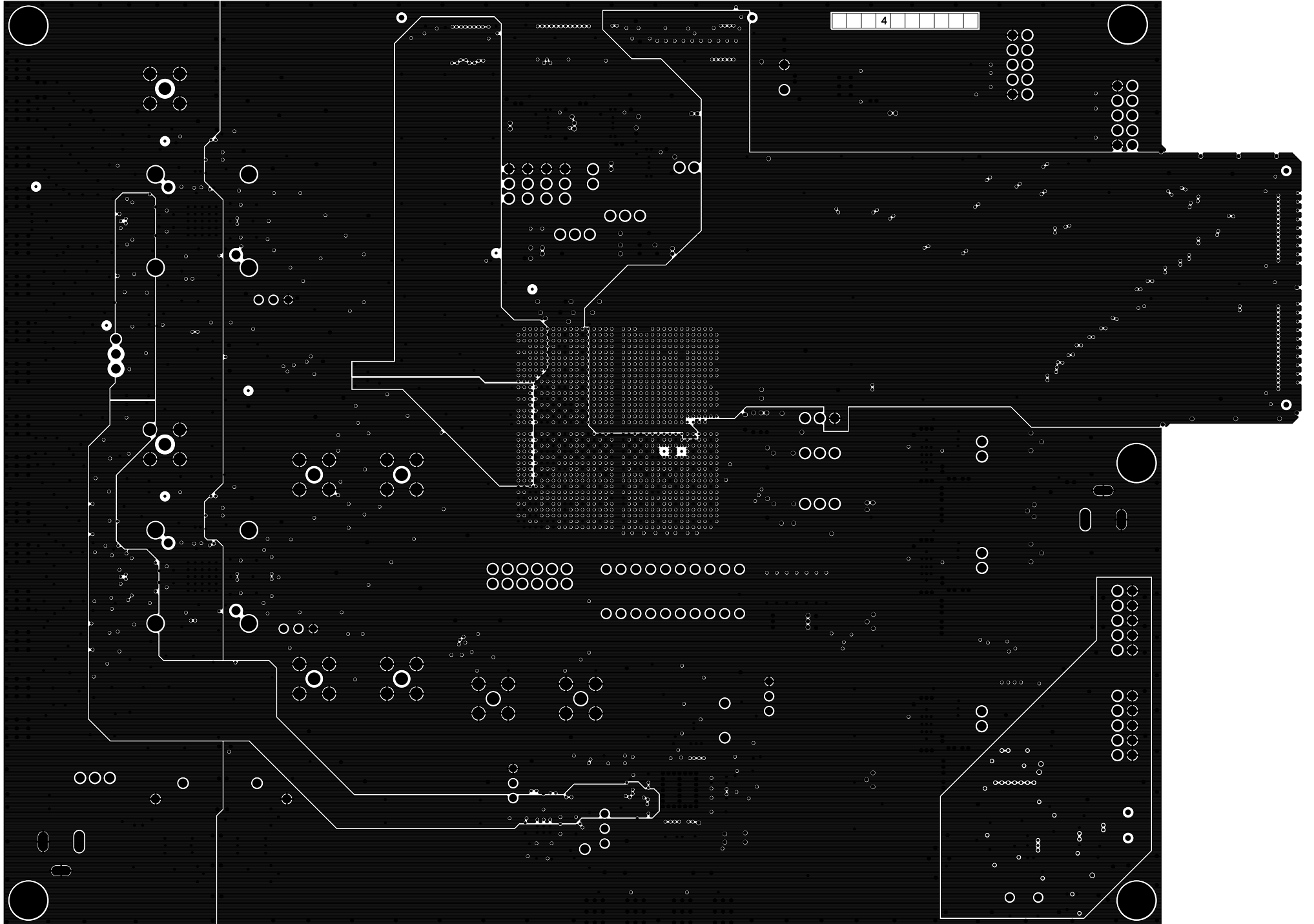


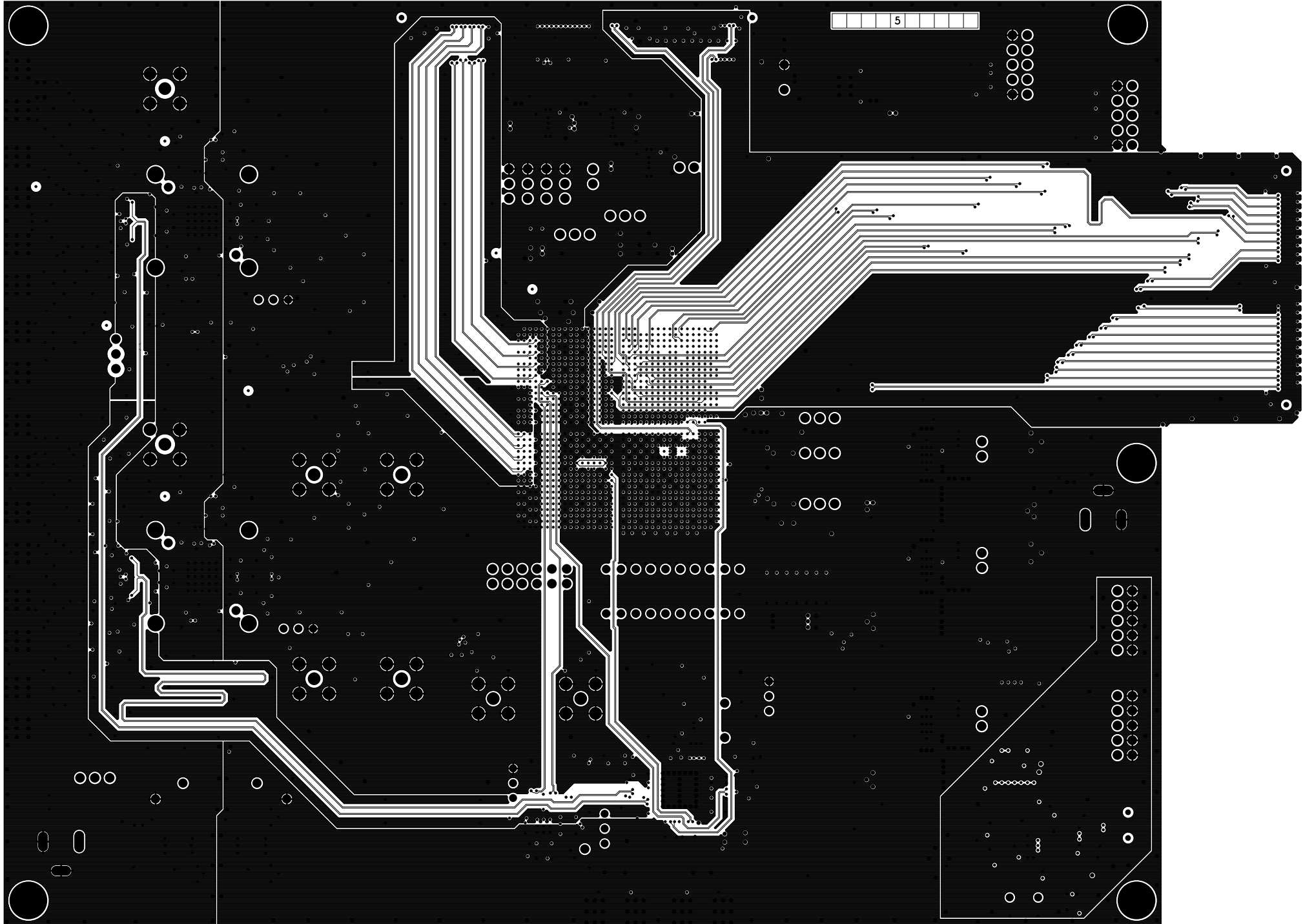
Item Number	Part Number	Quantity	Part Reference	PCB Footprint	Value	Description	Manufacturer	Manufacturer Part Number	Observation	
28	25ECNDA2GK225	3	C564 C571 C577	c0402_local	2.2uF	Cond X5R 0402 10% 6.3V 2.2uF				
10	25ECNDA2GL105AX	14	C117 C118 C132 C133 C146 C147 C158 C159 C424 C434 C442 C450 C458 C466	C0402	1uF	Cond X5R 0402 10% 10V 1uF	Ex:AVX	Ex:0402ZD105KAT2A		
31	25ECNDA2GL105AX	6	C5038 C5039 C5040 C5041 C5042 C5043	c0402_local	1uF	Cond X5R 0402 10% 10V 1uF	Ex:AVX	Ex:0402ZD105KAT2A		
17	25ECNDA2GL224MA	1	C329	C0402	220nF	Cond X5R 0402 10% 10V 220nF	Murata	GRM155R61A224KE19		
32	25ECNDA2GL224MA	2	C5048 C5049	c0402_local	220nF	Cond X5R 0402 10% 10V 220nF	Murata	GRM155R61A224KE19		
23	25ECNDA3GN474	7	C500 C514 C522 C531 C537 C541 C565	C0603	470nF	Cond X5R 0603 10% 16V 470nF	Ex:Kemet	Ex:C0603X474KARAC		
26	25ECNDA3HK106	12	C507 C515 C543 C551 C570 C5051 C5052 C5053 C5054 C5055 C5056 C5057	C0603	10uF	Cond X5R 0603 20% 6.3V 10uF				
5	25ECNDB2GN104	96	C1 C2 C4 C11 C12 C14 C21 C22 C24 C31 C32 C34 C301 C102 C104 C105 C107 C108 C110 C111 C121 C123 C124 C125 C126 C137 C138 C142 C143 C148 C151 C152 C153 C160 C161 C170 C171 C172 C173 C175 C176 C177 C178 C179 C180 C181 C182 C183 C184 C185 C186 C187 C189 C190 C198 C202 C203 C204 C206 C207 C208 C209 C211 C212 C214 C215 C216 C218 C220 C222 C301 C303 C305 C308 C310 C312 C314 C315 C316 C317 C325 C331 C333 C339 C340 C342 C344 C346 C348 C349 C350 C423 C426 C650 C652 C653	C0402	100nF	Cond X7R 0402 10% 16V 100nF				
24	25ECNDB2GN104	70	C501 C504 C505 C508 C509 C510 C511 C513 C516 C517 C518 C519 C523 C524 C527 C532 C533 C534 C538 C539 C540 C544 C545 C546 C547 C548 C549 C552 C553 C554 C555 C556 C557 C558 C559 C560 C561 C562 C563 C566 C567 C568 C569 C572 C573 C574 C575 C576 C578 C579 C580 C581 C582 C583 C584 C585 C586 C5044 C5045 C5046 C5047 C5050 C5080 C5082 C5083 C5084 C5085 C5086 C5087 C5088	c0402_local	100nF	Cond X7R 0402 10% 16V 100nF				
15	25ECNDB2GN183	1	C322	C0402	18nF	Cond X7R 0402 10% 16V 18nF	Multicomp	Ex: MCCA0000044		
20	25ECNDB2GN473	9	C432 C437 C441 C448 C454 C457 C464 C468 C471	C0402	47nF	Cond X7R 0402 10% 16V 47nF				
9	25ECNDB2GQ103MA	61	C106 C112 C113 C114 C115 C127 C128 C130 C131 C139 C141 C144 C145 C149 C154 C155 C156 C164 C165 C166 C167 C195 C196 C197 C200 C217 C219 C221 C223 C300 C302 C304 C306 C307 C309 C311 C313 C318 C319 C324 C327 C328 C330 C332 C334 C335 C336 C337 C338 C341 C343 C345 C347 C351 C352 C429 C438 C446 C453 C462 C467	C0402	10nF	Cond X7R 0402 10% 25V 10nF	Murata	GRM155R71E103KA01		
25	25ECNDB2GQ103MA	6	C503 C521 C526 C529 C530 C535	c0402_local	10nF	Cond X7R 0402 10% 25V 10nF	Murata	GRM155R71E103KA01		
30	25ECNDB2GQ223MA	36	C5001 C5002 C5003 C5004 C5005 C5006 C5007 C5008 C5009 C5010 C5011 C5012 C5013 C5014 C5015 C5016 C5017 C5018 C5019 C5020 C5021 C5022 C5023 C5024 C5025 C5026 C5027 C5028 C5029 C5030 C5031 C5032 C5033 C5034 C5035 C5036	c0402_local	22nF	Cond X7R 0402 10% 25V 22nF	Murata	GRM155R71E223KA61		
21	25ECNDB2GS272	3	C439 C455 C469	C0402	2.7nF	Cond X7R 0402 10% 50V 2.7nF				
22	25ECNDD2FS151	3	C440 C456 C470	C0402	150pF	Cond COG 0402 5% 50V 150pF				
14	25ECNDD2FS152	1	C321	C0402	1.5nF	Cond COG 0402 5% 50V 1.5nF	Ex:Kemet	Ex: C0402C152J5GACTU		
13	25ECNDD2FS270AX	4	C191 C192 C210 C213	C0402	27pF	Cond COG 0402 5% 50V 27pF	AVX	04025A270JAT2A		
16	25ECNDD2FS681MA	1	C326	C0402	680pF	Cond COG 0402 5% 50V 680pF	Murata	GRM1555C1H681JA01		
6	25ECNDD2PS39A	4	C3 C13 C23 C33	C0402	3.9pF	Cond COG 0402 +/-0.1 50V 3.9pF				
11	25ECNDJAGK475	6	C120 C135 C433 C449 C452 C465	cap_320x160x160_a	4.7uF	Cond Tantal A 10% 6.3V 4.7uF	Ex:AVX	Ex:TAJA475K006R		
19	25ECNDJAGL226	10	C430 C431 C444 C447 C459 C463 C512 C520 C542 C550	cap_320x160x160_a	22uF	Cond Tantal A 10% 10V 22uF	Ex:AVX	Ex:TAJA226K010R		
7	25ECNDJAGN106	3	C100 C188 C425	cap_320x160x160_a	10uF	Cond Tantal A 10% 16V 10uF	Ex:AVX	Ex:TAJA106K016R		
8	25ECNDJAGP475	4	C103 C119 C134 C451	cap_320x160x160_a	4.7uF	Cond Tantal A 10% 20V 4.7uF	Ex:AVX	Ex:TAJA475K020R		
18	25ECNDJBHL107	10	C427 C428 C443 C445 C460 C461 C502 C506 C525 C528	cap_350x280x190_b	100uF	Cond Tantal B 20% 10V 100uF	Ex:AVX	Ex:TAJB107M010R		
29	25ECNDJGGL106	1	C651	cap_600x320x260_c	10uF	Cond Tantal C 10% 10V 10uF	Ex:AVX	Ex:TAJC106K010R		
27	25ECNDJEGK337	1	C536	cap_730x430x410_e	330uF	Cond Tantal E 10% 6.3V 330uF	Ex:AVX	Ex:TAJE337K006R		
41	25ECNTA1K0002_2	5	J402 J403 J404 J405 J406	cav_254_bar2_md	closed	Conn bar cav MD 2.54mm 2 pins h=7mm ***closed***				
91	25ECNTA1K0003_2	11	ST101 ST103 ST500 ST501 ST502 ST503 ST504 ST505 ST775 ST776 ST777 ST778	cav_254_bar3_md	***	Conn bar cav MD 2.54mm 3 pins h=7mm				
40	25ECNTA1K0018	2	J102 J103	con_bar_254_2x5_md	BAR-2.54-2x5-MD	Conn bar MD 2.54mm 2x5 pins h=7mm				
44	25ECNTA1K0019	1	J725	con_bar_254_2x6_md	BAR-2.54-2x6-MD	Conn bar MD 2.54mm 2x6 pins h=7mm				
89	25ECNTC300001RL_NC	8	RX101 RX103 RX104 RX106 RX108 RX109 RX725 RX726	con_coax_sma_fd	NC	***NOT CONNECTED*** Conn coax FD SMA	Radiall	R125426000		
90	25ECNTC700001JN_NC	7	RX105 RX110 RX111 RX112 RX113 RX300 RX301	con_coax_sma_bdc_142_0701_851_2	NC	***NOT CONNECTED*** Conn coax SMA F Bdc	Johnson	142-0701-851		
88	25ECNTC700004PA	3	RX100 RX102 RX107	con_coax_sma_bdc_142_0701_851_2	72970	Conn coax SMA F Bdc C1 2mm	Pomona	72970		
45	25ECNTG1K00023M	2	J775 J776	con_he10bp_2x5_md	N2510-6002RB	Conn HE10 MD 2.54 10 pins bas profil	3M	N2510-6002RB		
38	25ECNTH500001CF	2	J100 J401	con_jack_alim_dc10	DC-10A	Conn jack Hor dia 2.1mm	Cliff	DC-10A	BULLEE02	
94	25ECNTM000001KN	9	TP100 TP101 TP102 TP103 TP300 TP301 TP302 TP406 TP407	tp_boucle_d100	TBD	Conn TP Boucle d:1mm noir	Keystone	5001		
39	25ECNTNSD0002WE	1	J101	con_usbmini_fc_24861	USB8_MINI_65100516121	Conn Mini USB Hor Femelle 0.8mm 5 pins CMS Type B	Würth Electronic	65100516121		
43	25ECNTP1B0006SA_NC	1	J650	con_samtec_asp_122953_01	NC	*** NOT CONNECTED*** Conn B2B MD 0.5mm 160 pins (serie QSH-090)	Samtec	ASP-122953-01		
42	25ECNTP3B0006SA_NC	1	J626	con_samtec_qsh_060_01_x_d_a	NC	***NOT CONNECTED*** Conn B2B FD 0.5mm 120 pins	Samtec	QSH-060-01-F-D-A		
36	25EIOA020001NX	2	D301 D302	sod80c	PMLL4448	Dio sig sod80c 0.5W	NXP	PMLL4448		
35	25EIOA020001AO	2	D103 D104	so323_sc70_3	HSMS-281C	Dio schot sot323 20V 1A Avago:HSMS-281C	Avago	HSMS-281C		
33	25EIOA020001TC	6	D100 D102 D405 D406 D407 D408	do214ac_sma	SK26A	Dio schot do214ac 60V 2A TSC:SK26A	TSC	SK26A		
105	25EICSH800002AL	1	U106	ts50p8l	AT93C56A-10TU-2.7	IC mem S08 EEPROM 2K ATMEML:AT93C56A-10TU-2.7	ATMEL	AT93C56A-10TU-2.7		
114	25EICSH800003RA	1	U775	so16_sot162_1	EPCS64S116N	IC config device S016 Altera:EPCS64	Altera	EPCS64S116N		
107	25EICSJ000002NX	2	U108 U302	tssop20_sot360_1	GTL2003PW	IC trans TSSOP20 NXP:GTL2003PW	NXP	GTL2003PW		
103	25EICSKZ00002FD	2	U101 U102	SC70_5	NC75VU04P5X	IC intrf inverter sc70-5 Fairchild:NC75VU04P5X	Fairchild	NC75VU04P5X		
106	25EISLF00001FI	1	U107	lqfp48_sot313_2	FT2232D	IC drvvr LQFP48 USB UART/FIFO	FTDI	FT2232D		
109	25EICSZG00001ME	1	U301	hvfqn24_050_400x400	SY89474U	IC multiplexeur 2:1 LVDS QFN24 Micrel:SY89474U	Micrel Inc	SY89474UMG		
113	25EICSZH00001RA	1	U500	fbga1152_100_370x370	EP2A9K95F35C9N	IC Arria II GX FPGAs 95K 1152FBGA	Altera	EP2A9K95F35C9N		
108	25EICSZ00002AD_NC	1	U300	lfcsp64_050_900x900	NC	*** NOT CONNECTED*** IC clk_generator 2.0GHz 64LFCSP Analog Devices:AD9520_3BCPZ	Analog Devices	AD9520-3BCPZ		
92	25EINTA000001ON	7	SW100 SW101 SW300 SW725 SW726 SW727 SW728	sw_b3s_1000	B3S-1000	BP Omron:b3s-1000	Omron	B3S-1000		
37	25EINTD000001EO	5	J43 J44 J300 J301 J302	sw_1k2	SW_1K2	commut glis	EAO	09-03290-01		
93	25EINTF000003MP	1	SW700	sw_dlp310	10pos	inter-dil 10pos Multicomp: MCDS10	Multicomp	MCDS10		
2	25EINTM000002SA	16			2.54mm	cav bar MD 2.54 1 pos Samtec : SNT-100-BK-G	Samtec	SNT-100-BK-G		
34	25EOPTAC50003KH	11	D101 D105 D300 D404 D700 D701 D702 D703 D704 D705 D706	led_160x080_kp	KP-1608SGC	LED Vert 0603 super bright	Kingbright	KP-1608SGC		
112	25EREGB0F0002TI	2	U405 U408	son10_050_300x300	TPS74701DRCR	regu aj LDO 0.8-3.6V 500mA son10	Texas Instrument	TPS74701DRCR		
102	25EREGB0H0004AD	5	U100 U100BIS U103 U103BIS U406	so8_ep	ADP1708ARDZ-R7	regu aj 0.8-5V 1A so8_ep	Analog Devices	ADP1708ARDZ-R7	BULLEE01	
110	25EREGB0J00001TI	1	U402	son10_050_300x300	TPS74801DRCR	regu aj LDO 0.8-3.6V 1.5A son10	Texas Instrument	TPS74801DRCR		
111	25EREGB0M00001TI	3	U404 U407 U409	vqfn34_050_700x350	TPPS54617RUVR	regu aj Buck 0.9-3.3V 6A vqfn34	Texas Instrument	TPPS54617RUVR		
55	25ERESA2D0000B	51	R6 R16 R26 R36 R108 R113 R120 R121 R123 R129 R130 R131 R148 R152 R165 R174 R176 R181 R184 R186 R189 R190 R191 R192 R193 R194 R195 R196 R197 R198 R199 R200 R201 R202 R205 R206 R207 R208 R301 R308 R311 R312 R313 R315 R316 R328 R329 R626 R627 R650 R782 R4 R14 R24 R34 R111 R151 R245 R246 R303 R321 R331 R334 R337 R339 R725 R727 R728 R730	R0402	OR	Res 0402 1% 0.063W 0ohms				
54	25ERESA2D1000	18			R0402	Res 0402 1% 0.063W 100ohms				
56	25ERESA2D1001	6			R0402	Res 0402 1% 0.063W 1kOhms				
63	25ERESA2D1002	6			R0402	Res 0402 1% 0.063W 10kOhms				
60	25ERESA2D1004	1			R0402	Res 0402 1% 0.063W 1Mohms				
52	25ERESA2D100A	15	R2 R7 R12 R17 R22 R27 R32 R37 R333 R338 R411 R425 R437 R726 R729		R0402	Res 0402 1% 0.063W 10ohms				
74	25ERESA2D1200	1			R0402	Res 0402 1% 0.063W 120ohms				
72	25ERESA2D1500	1			R0402	Res 0402 1% 0.063W 150ohms				
59	25ERESA2D2001	6			R0402	Res 0402 1% 0.063W 2kOhms				
69	25ERESA2D2200	4			R0402	Res 0402 1% 0.063W 220ohms				
65	25ERESA2D2201	1			R0402	Res 0402 1% 0.063W 2.2kOhms				
66	25ERESA2D2203	2			R0402	Res 0402 1% 0.063W 220kOhms				
70	25ERESA2D2400	1			R0402	Res 0402 1% 0.063W 240ohms				
61	25ERESA2D270A	2			R0402	Res 0402 1% 0.063W 27ohms				
58	25ERESA2D3300	10			R0402	Res 0402 1% 0.063W 330ohms				
73	25ERESA2D4121	1			R0402	Res 0402 1% 0.063W 4.12kOhms				
67	25ERESA2D4700	2			R0402	Res 0402 1% 0.063W 470ohms				
64	25ERESA2D4701	8			R0402	Res 0402 1% 0.063W 4.7kOhms				
53	25ERESA2D499A	12			R0402	Res 0402 1% 0.063W 49.9ohms				
71	25ERESA2D5101	1			R0402	Res 0402 1% 0.063W 5.1kOhms				
57	25ERESA2D7870	2			R0402	Res 0402 1% 0.063W 787ohms				
75	25ERESA3D0000B	14	R406 R407 R415 R421 R422 R429 R433 R434 R440 R441 R504 R505 R651 R700		r0603	Res 0603 1% 0.1W 0ohms				
87	25ERESA3D1001	1			r0603	Res 0603 1% 0.1W 1kOhms				
79	25ERESA3D1002	12			r0603	Res 060				

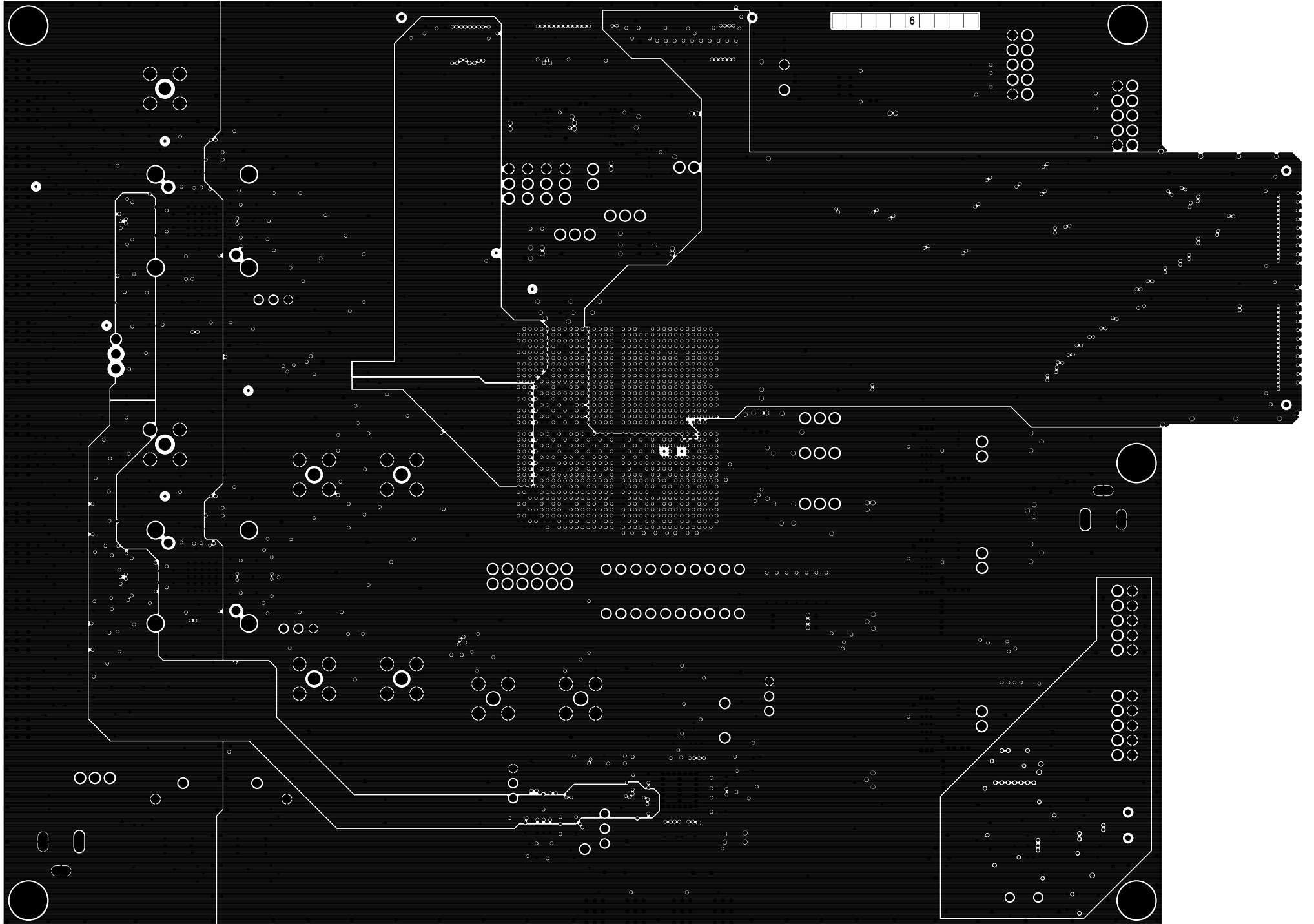
86	25ERESA3D4021	1	R438	r0603	4K02	Res 0603 1% 0.1W 4.02kOhms		
78	25ERESA3D4991	3	R413 R427 R439	r0603	4k99	Res 0603 1% 0.1W 4.99kOhms		
82	25ERESA3D5491	1	R418	r0603	5K49	Res 0603 1% 0.1W 5.49kOhms		
81	25ERESA3D5900	3	R417 R431 R443	r0603	590R	Res 0603 1% 0.1W 590ohms		
50	25ETRAF100004NX	1	Q100	sot23	B5H205	Tra MOSP sot23 12V 0.75A	NXP	B5H205
46	25ETRF800_I0603_NC	1	L100	I0603	NC	***NOT CONNECTED*** filtre ferrite 0603		BULLEO2
47	25ETRF8000004MA	25	L101 L102 L103 L104 L105 L106 L107 L108 L109 L110 L111 L112 L113 L300 L301 L302 L303 L304 L306 L403 L406 L500 L501 L502 L503	I0603	BLM185G121TN1	filtre ferrite 0603 120R 25% 3A	Murata	BLM185G121TN1
48	25ETRF8000007VY	3	L404 L407 L408	I_hlm2525	IHLM2525CZERR82M01	filtre ferrite 0.82uH 13A Vishay: IHLM2525CZERR82M01	Vishay	IHLM2525CZERR82M01
99	25ETRFK000002MT_NC	2	TR100 TR102	transfo_rf_adt1_1wt_local	NC	transfo RF 0.5W 30mA	Mini-Circuit	ADT1-1WT
95	25ETRFK000007MT	2	TR1 TR11	transfo_at224_at577	TC1-1-13M+	transfo RF 0.25W 30mA MiniCircuit:TC1-1-13M+	Mini-Circuit	TC1-1-13M+
100	25ETRFK000007MT	1	TR101	transfo_at224_1	TC1-1-13M+	transfo RF 0.25W 30mA	Mini-Circuits	TC1-1-13M+
97	25ETRFK000007MT_NC	2	TR21 TR31	transfo_at224_at577	NC	***NOT CONNECTED*** transfo RF 0.25W 30mA MiniCircuit:TC1-1-13M+	Mini-Circuit	TC1-1-13M+
101	25ETRFK000007MT_NC	1	TR103	transfo_at224_1	NC	transfo RF 0.25W 30mA	Mini-Circuits	TC1-1-13M+
96	25ETRFK000008MT	2	TR2 TR12	transfo_at577_at224	TRS1-1T-13-2A+	transfo RF 0.25W 16mA MiniCircuit:TRS1-1T-13-2A+	Mini-Circuit	TRS1-1T-13-2A+
98	25ETRFK000008MT_NC	2	TR22 TR32	transfo_at577_at224	NC	***NOT CONNECTED*** transfo RF 0.25W 16mA MiniCircuit:TRS1-1T-13-2A+	Mini-Circuit	TRS1-1T-13-2A+
115	25EXTAACD0001MX	1	Y100	xtal_hc49s	6MHz	Quartz HC49/S 6MHz	Manudax	M95060A
116	25EXTABZS0012EN	1	Y300	xtal_nx7050_6p	XTAL_125MHz	Oscill 70x50 125MHz Epson : EG-2102CA-125M-LHPA	Epson Toyocom	EG-2102CA-125M-LHPA
117	25EXTABZZ0001EN_NC	1	Y301	xtal_tco_21xx	NC	***NOT CONNECTED*** Oscill serie tco2131 3.3v	Epson Toyocom	
104	pnsx_ADC1x43D_8x8	2	U104 U105	potence_08_hlqfn56r	ADC1x43D_8x8	IC dual 14bits ADC Boitier 8x8 sur potence type V2		ADC1443
12	pnsx_c0402_NC	8	C174 C205 C224 C225 C226 C227 C320 C323	C0402	NC	Capacite 0402 ***NOT CONNECTED***		
49	pnsx_entr_hex_tar_laiton_M3x15_vis_M3x10	5	MH400 MH401 MH402 MH403 MH404	entr_hex_M3x1500_vis_M3	Entretoise_hex_tar_laiton_M3x15	Entretoise hexagonale taraudée (femelle-femelle) laiton M3x15mm	Ex:Acme	Ex:301 3150 400 50
51	pnsx_r0402_NC	41	R1 R11 R21 R31 R107 R109 R110 R112 R114 R115 R116 R118 R119 R122 R127 R128 R132 R136 R137 R146 R147 R149 R150 R153 R155 R160 R161 R162 R163 R175	R0402	NC	Res 0402 ***NOT CONNECTED***		
68	pnsx_r0603_nc	8	R182 R183 R185 R187 R188 R203 R204 R210 R211 R212 R213	r0603	NC	Res 0603 ***NOT CONNECTED***		
3	pnsx_rondelle_eventail_acier_M3	5	R300 R307 R318 R320 R322 R326 R332 R336		Rondelle_eventail_acier_M3	Rondelle éventail acier zingué M3	Ex:Imp	Ex:M52 013 0030
1	pnsx_vis_CHC_M2x6_inox	8			Vis CHC M2x6	Vis Tête Cylindrique Six Pans Creux M2x6 Inox		
4	pnsx_vis_TC_M3x10_inox	5			Vis TC M3x10	Vis Tête Cylindrique Fendue M3x10 Inox		

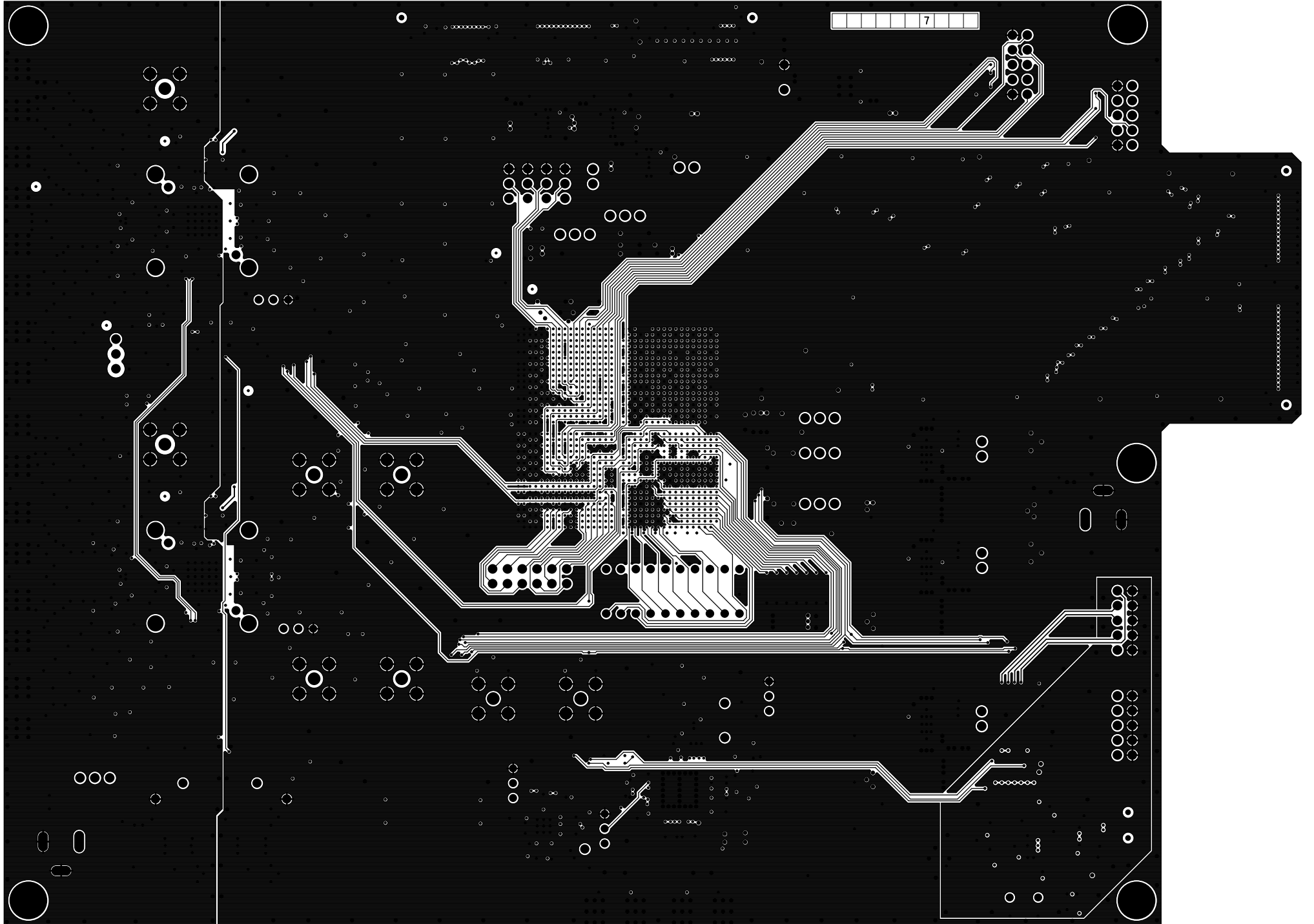


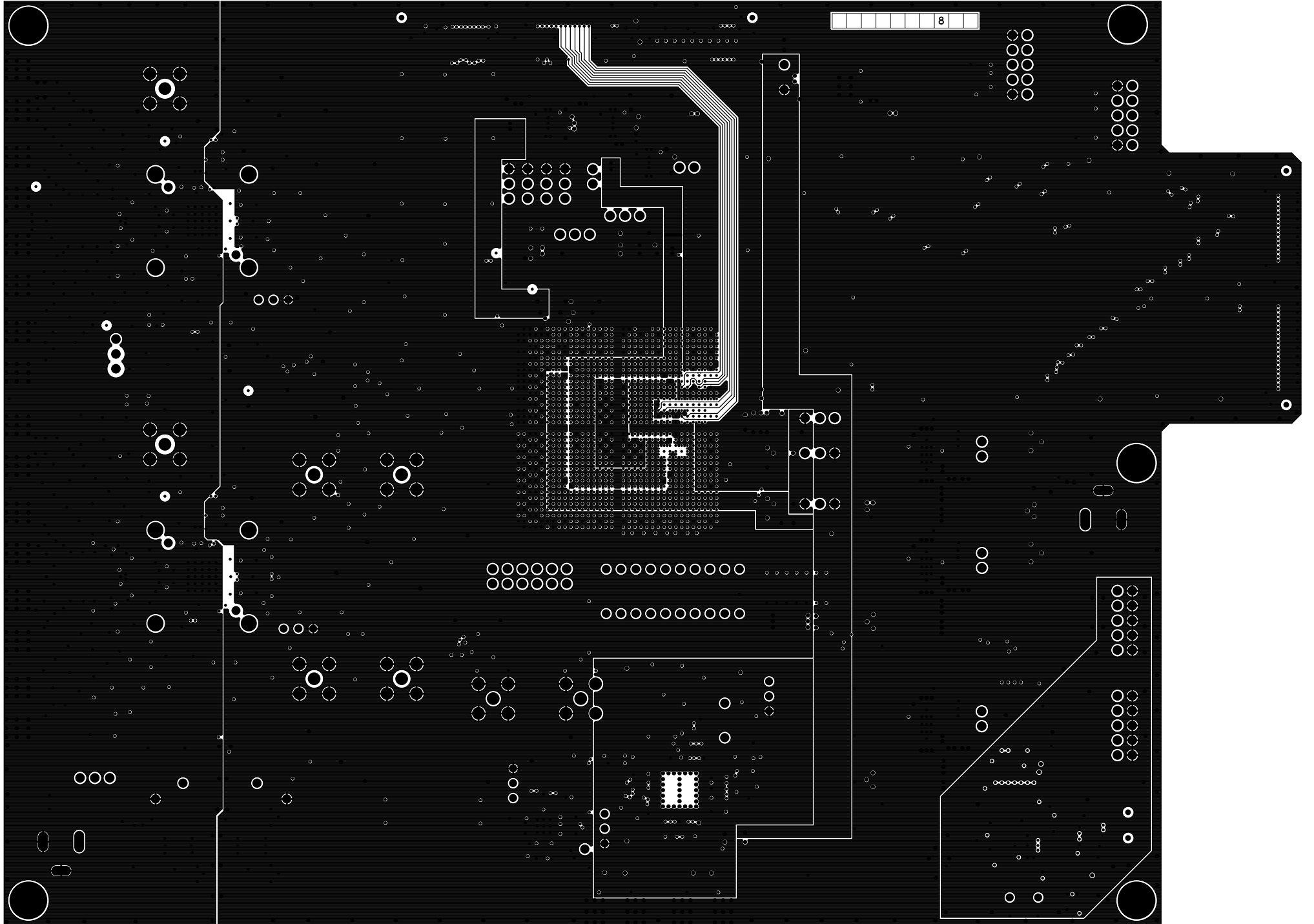


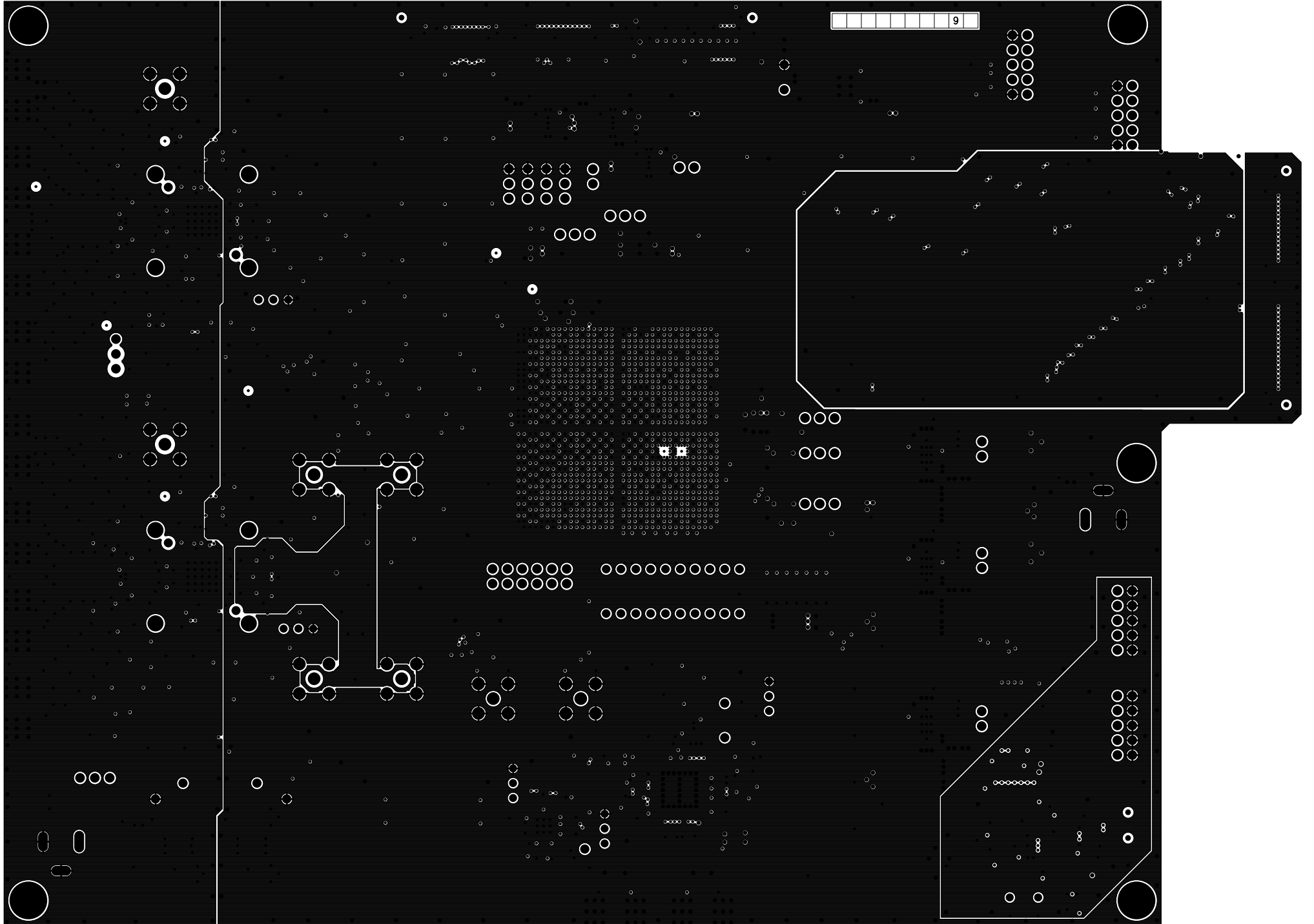


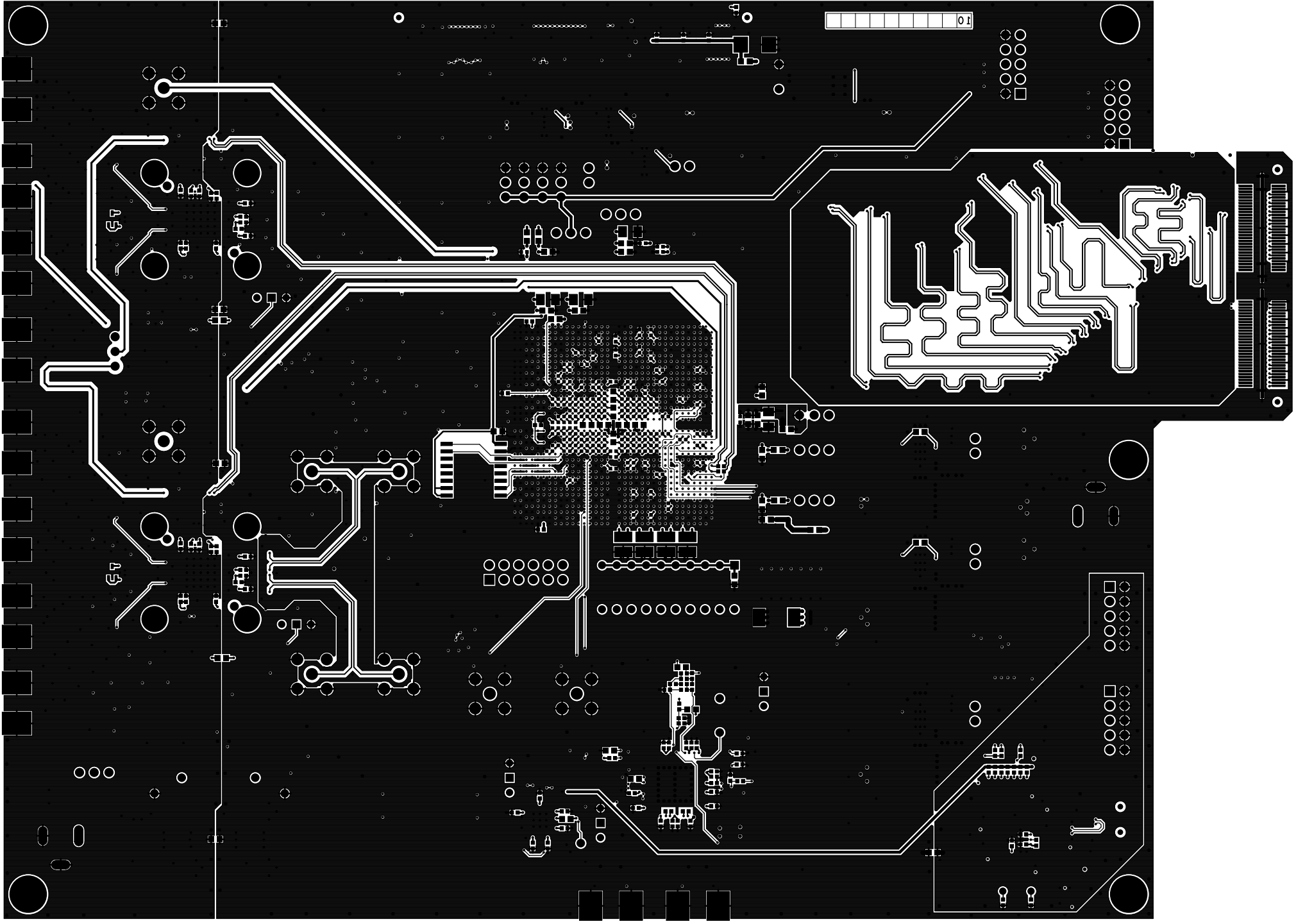


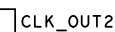
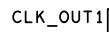
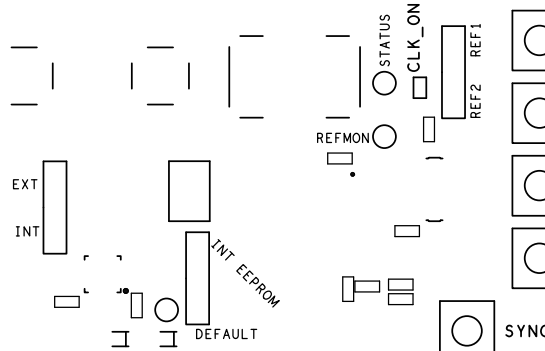
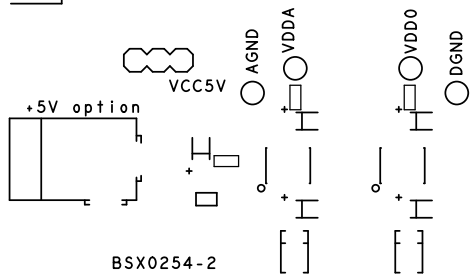
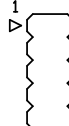
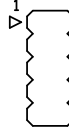
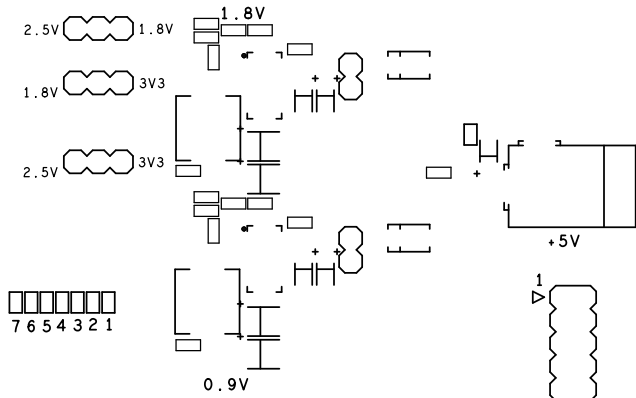
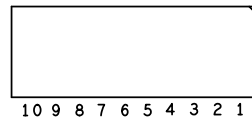
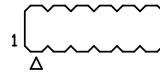
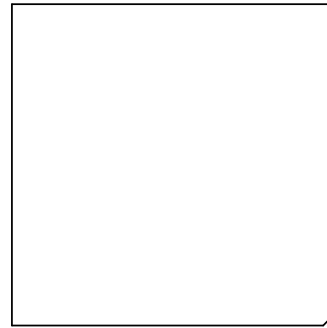
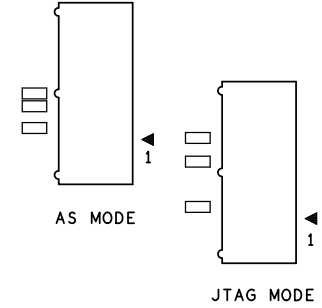
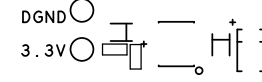
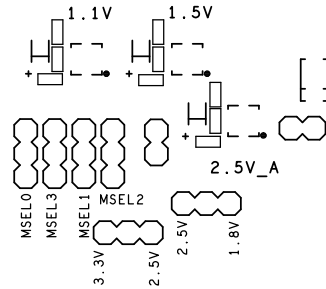
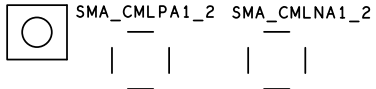
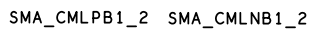
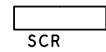
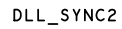
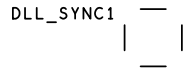
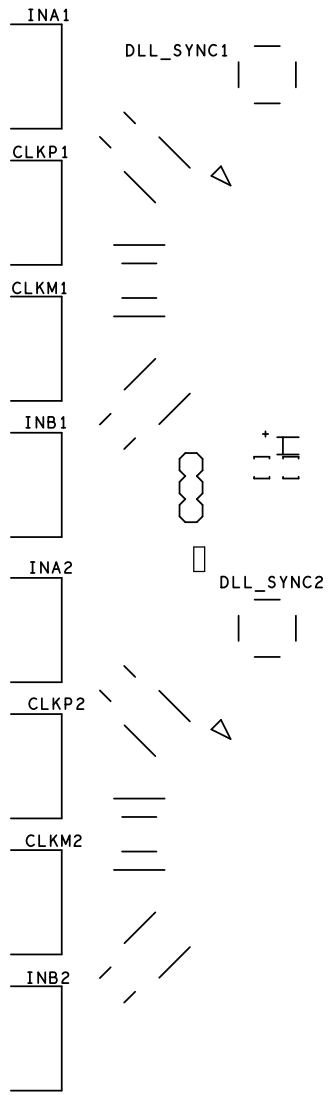


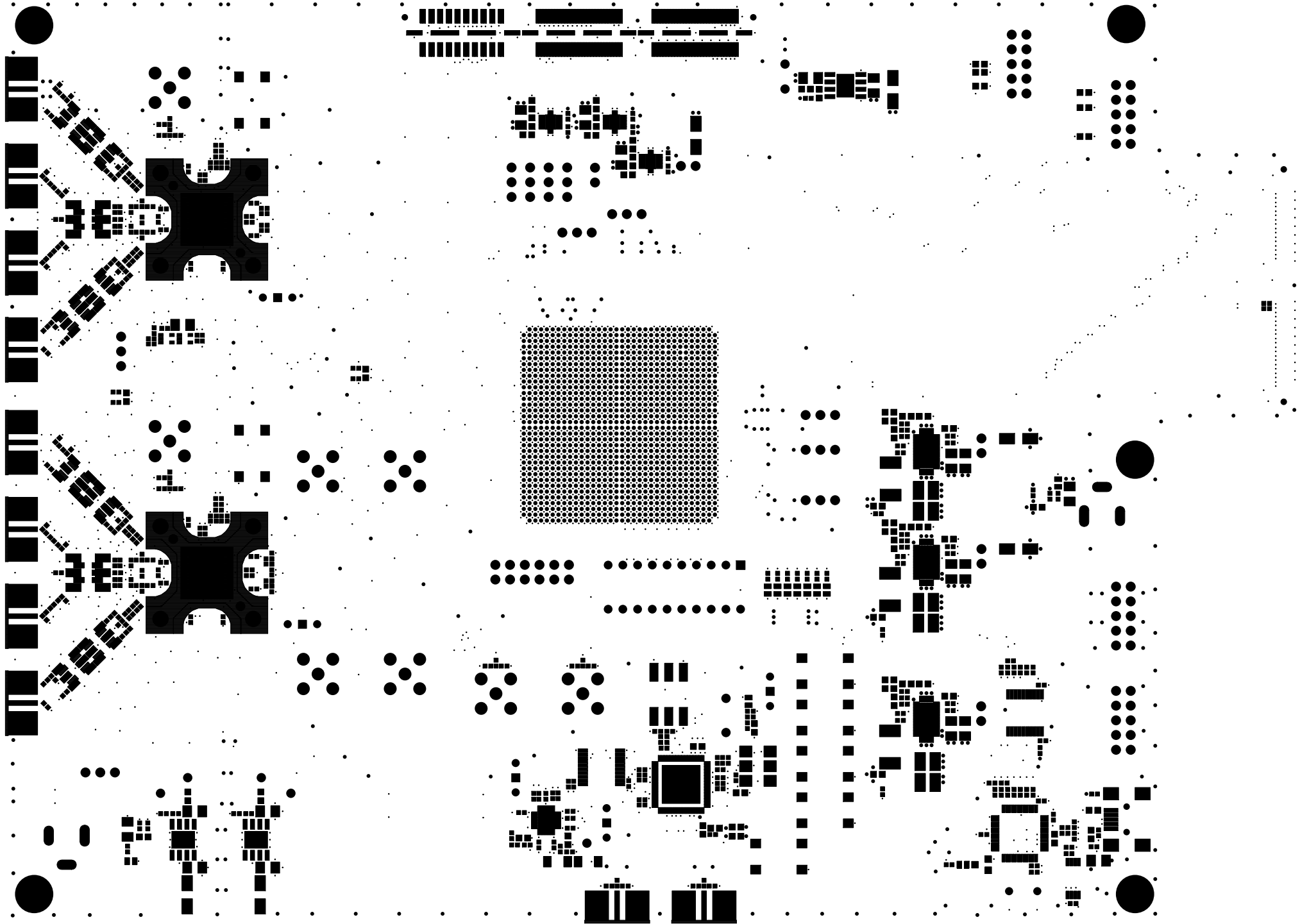


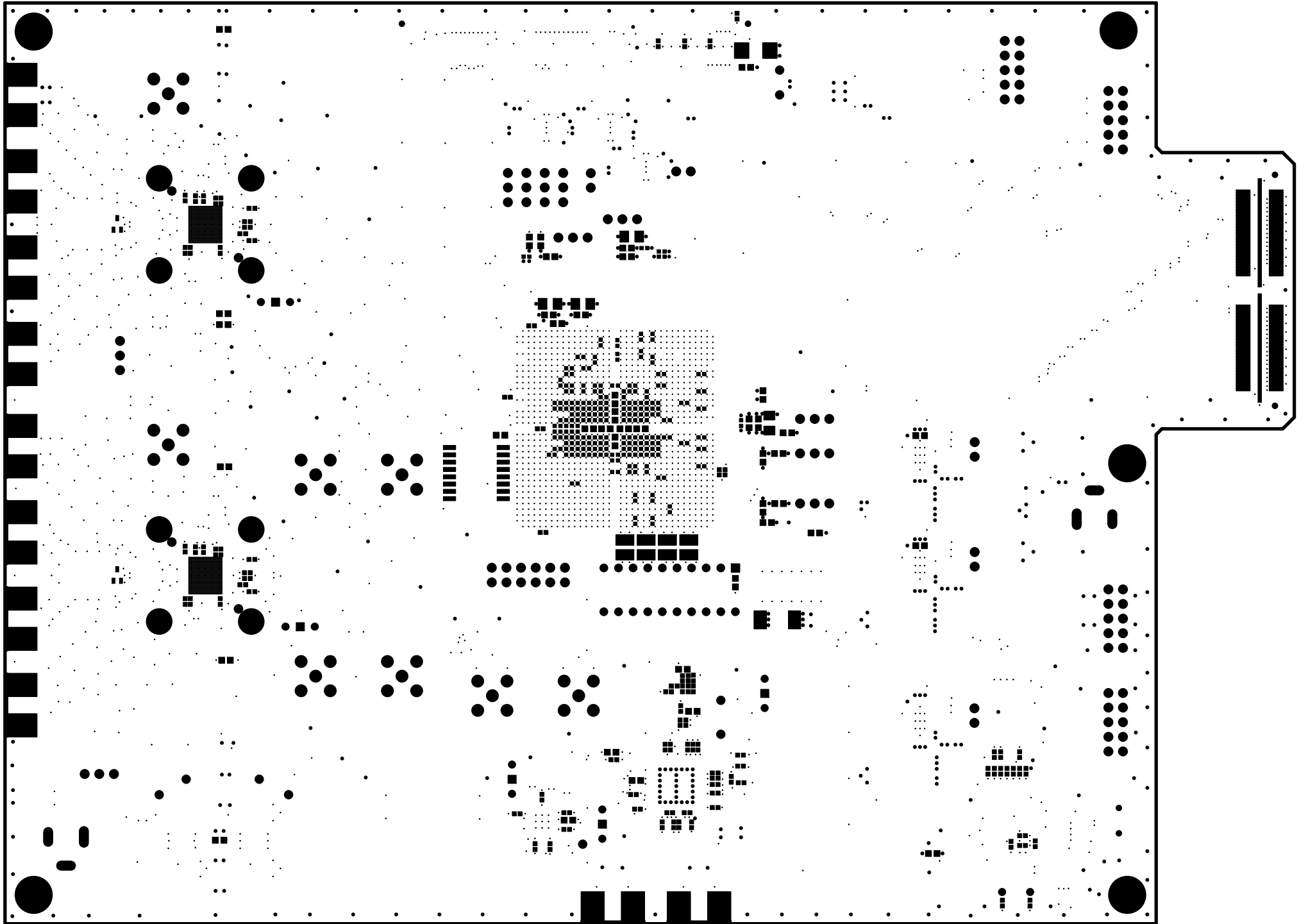


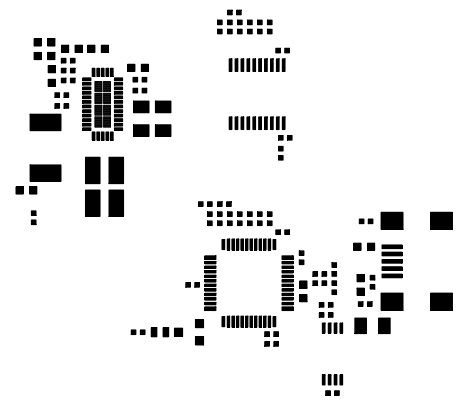
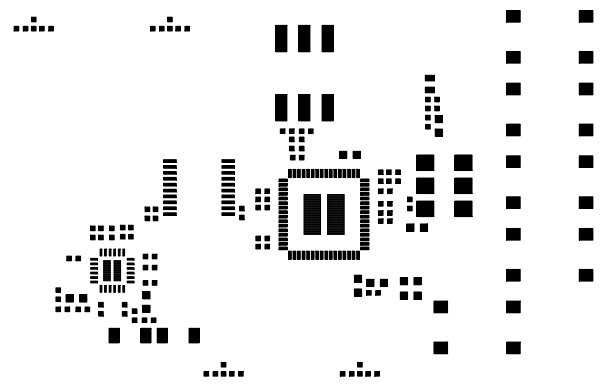
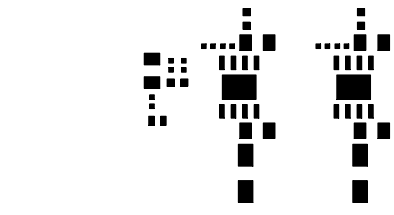
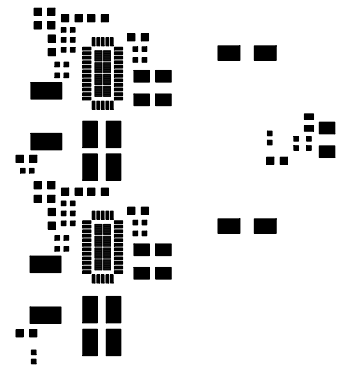
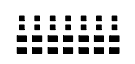
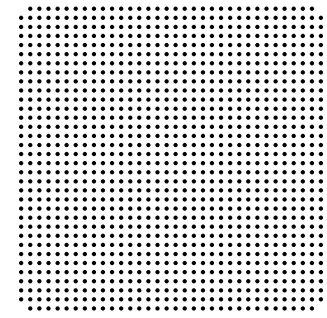
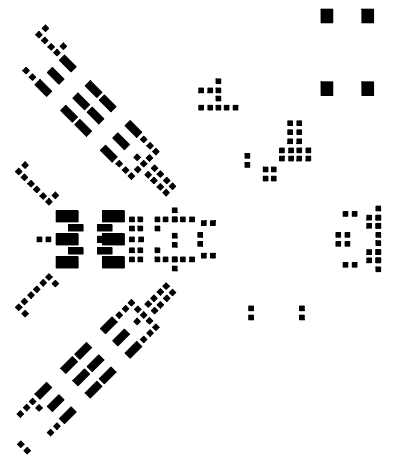
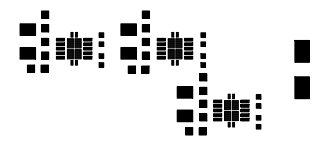
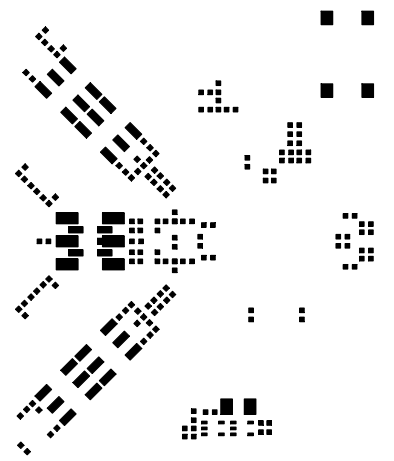
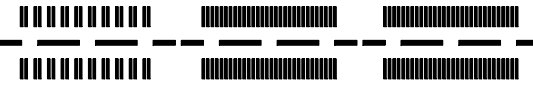


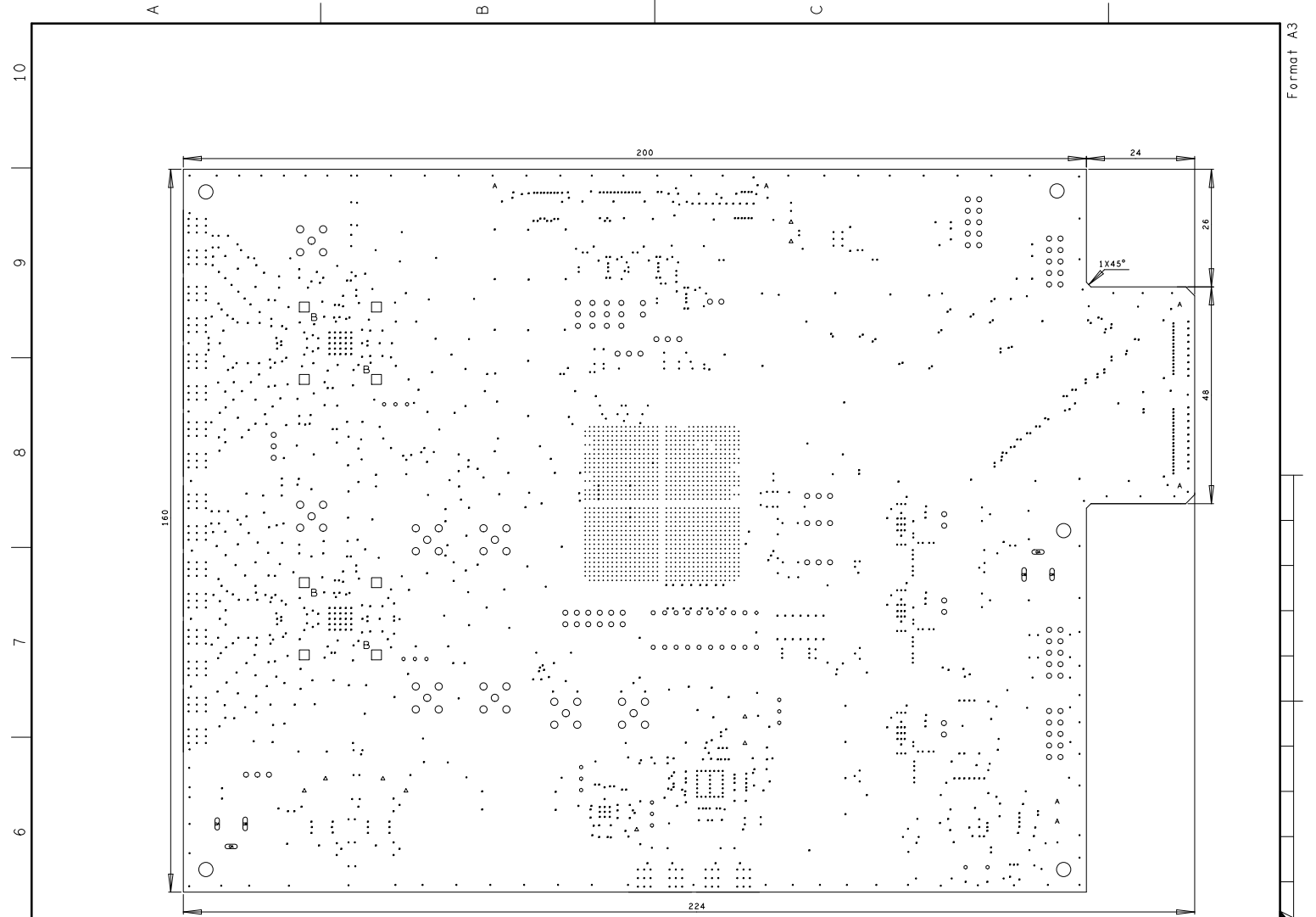












DRILL LAYER

DRILL CHART: TOP to BOTTOM				
ALL UNITS ARE IN MILLIMETERS				
FIGURE	SIZE	TOLERANCE	PLATED	QTY
.	0.2	+0.1/-0.05	PLATED	1123
.	0.25	+0.1/-0.05	PLATED	1111
.	0.3	+0.1/-0.05	PLATED	588
o	0.8	+0.1/-0.05	PLATED	17
o	0.9	+0.1/-0.05	PLATED	19
o	0.9	+0.1/-0.05	PLATED	1
o	1.0	+0.1/-0.05	PLATED	9
o	1.1	+0.1/-0.05	PLATED	95
o	1.6	+0.1/-0.05	PLATED	40
o	2.2	+0.1/-0.05	PLATED	8
o	3.2	+0.1/-0.05	PLATED	5
A	1.0	+0.0/-0.05	NON-PLATED	6
B	1.55	+0.0/-0.05	NON-PLATED	4
⊗	2.7x1.0	+0.1/-0.05	PLATED	2
⊗	2.7x1.0	+0.1/-0.05	PLATED	2
⊗	3.0x1.0	+0.1/-0.05	PLATED	2

Via 0.2, 0.25, 0.3mm
diamètre percé
(possibilité de tout percer à 0.25mm)

Percages 1.55NM percés en même
temps que les trous Metal

EMPILEMENT 10 COUCHES:

