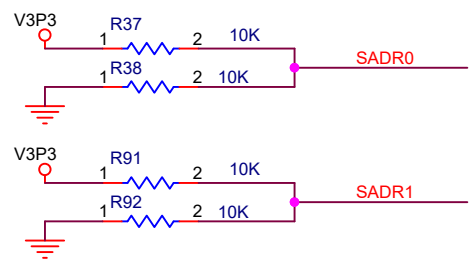
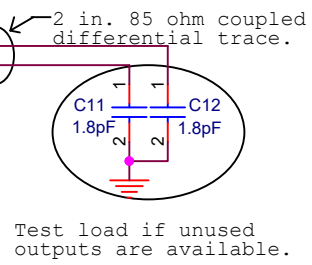
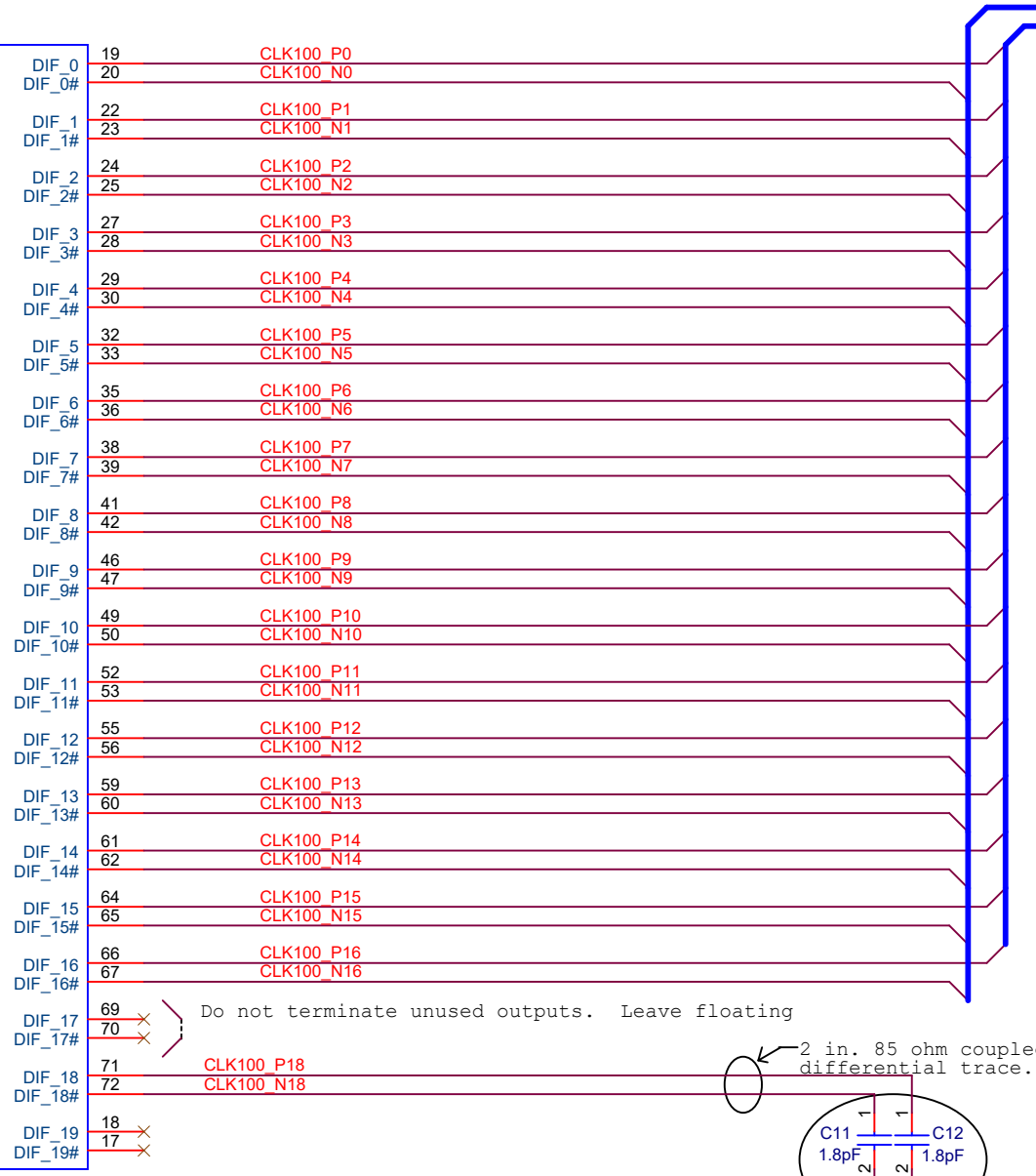
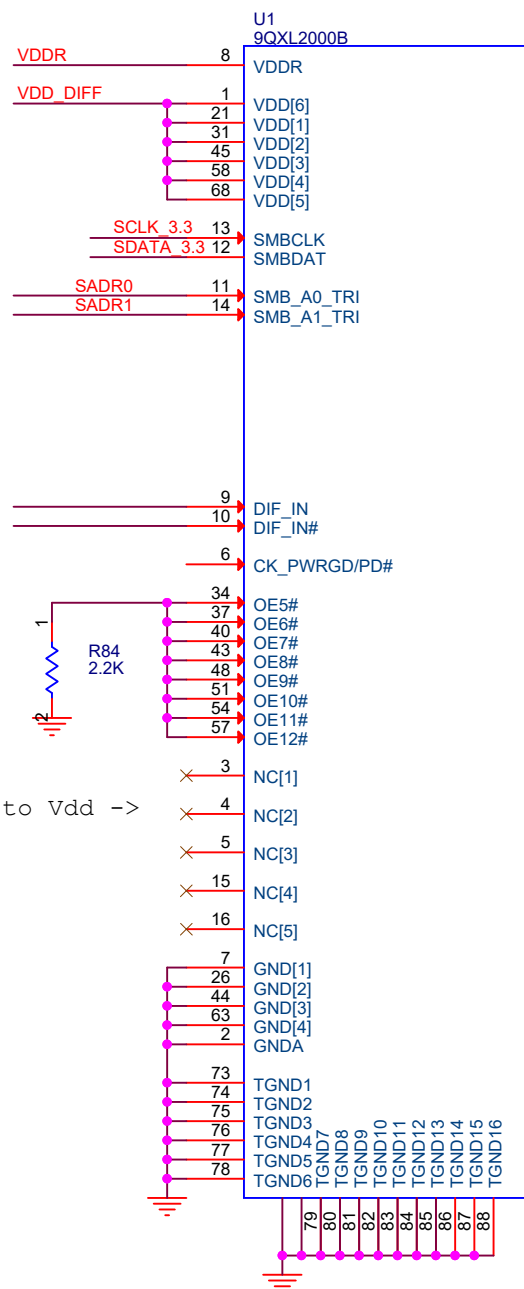
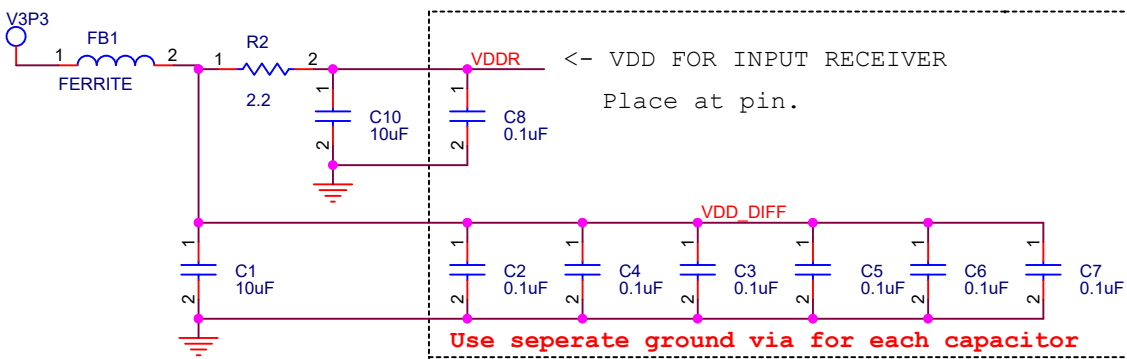


Pull up resistors are at SMBus controller end.

SCLK 3.3
SDATA 3.3



Pin 4 may be connected to Vdd ->



Test load if unused outputs are available.

9QXL2000B SMBus Addressing

SMB PIN	Address
A1	A0
L	L
L	M
L	H
M	L
M	M
M	H
H	L
H	M
H	H

NOTE:FERRITE BEADS =

Manufacture	Part Number	Z@100MHz	PkgSz	DC res.	Current (Ma)
muRata	BLM21A601R	600	0805	0.30	600
TDK	MMZ2012S601A	600	0805	0.30	600
STEWART	HZ0805E601R	600	0805	0.30	600
AssocCmpTch	CBG0805-600-50	600	0805	0.30	600

Revision history

Rev	Change
0.1	First publication
0.2	Update symbpl for rev B

Integrated Device Technology
6024 Silver Creek Valley Road
San Jose, CA

Title: 9QXL2000B

Size B | Document Number | Rev 0.2

Date: Thursday, January 31, 2019 | Sheet 1 of 1