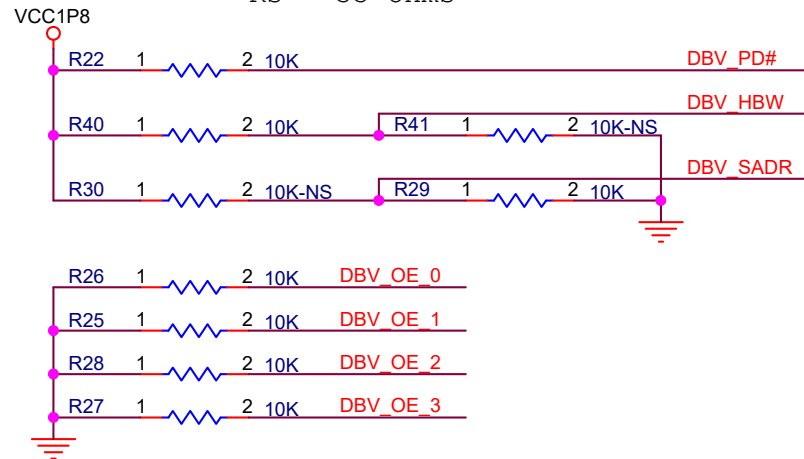
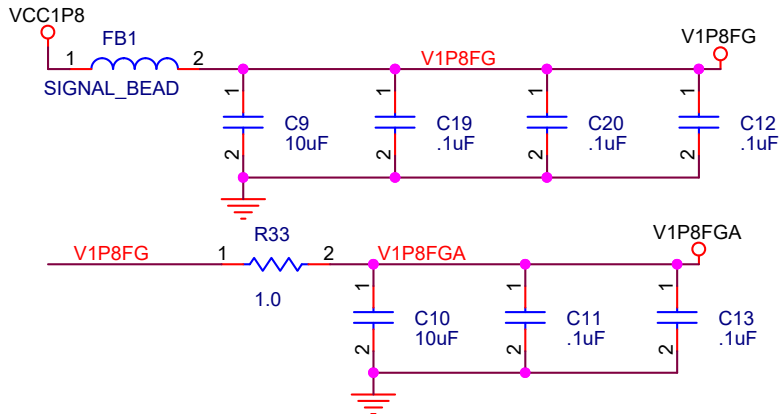


FOR 9DBV0441:
Series resistors are internal.
They are not needed in schematic.

FOR 9DBV0431:
TO CONFIGURE FOR Zdiff = 85 Ohms
Rs = 27 Ohms
TO CONFIGURE FOR Zdiff = 100 Ohms
Rs = 33 Ohms



NOTE:FERRITE BEADS FB1 =

| Manufacture | Part Number | Z@100MHz | PkgSz | DC res. | Current (Ma) |
|-------------|----------------|----------|-------|---------|--------------|
| muRata | BLM21A601R | 600 | 0805 | 0.30 | 600 |
| TDK | MMZ2012S601A | 600 | 0805 | 0.30 | 600 |
| STEWART | HZ0805E601R | 600 | 0805 | 0.30 | 600 |
| AssocCmpTch | CBG0805-600-50 | 600 | 0805 | 0.30 | 600 |

| Manufacture | Part Number | Z@100MHz | PkgSz | DC res. | Current (Ma) |
|-------------|------------------|----------|-------|---------|--------------|
| muRata | BLM18AG601SN1 | 600 | 1608 | 0.50 | 200 |
| muRata | BLM18BD601SN1_PB | 600 | 1608 | 0.65 | 200 |
| Ceratech | HB-1T1608-601- | 600 | 1608 | 0.50 | 200 |
| TDK | MMZ1608R301A | 300 | 1608 | 0.20 | 500 |

- Layout notes.
- Route power from bead through bulk capacitor pad then through 0.1uF capacitor pad then to clock chip Vdd pad.
 - Do not share ground vias. One ground pin one ground via.

Revision history
0.1 8/31/2012 first publication
0.2 12/12/2019 Change C10 to 10 uF

Integrated Device Technology

San Jose, CA

| | | |
|--------------------------------------|---------------------------------|------------|
| Size A | Document Number 9DBV0441_SCH | Rev 0.2 |
| Date: Thursday, December 12, 2019 | Sheet 1 | of 1 |