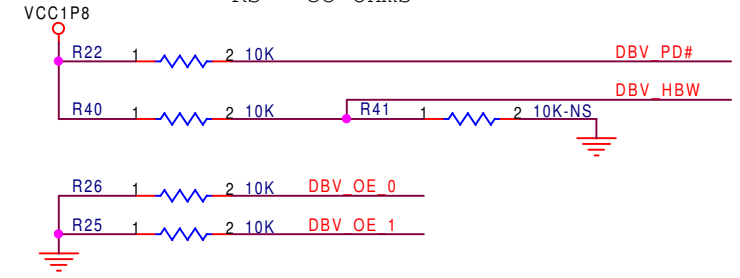
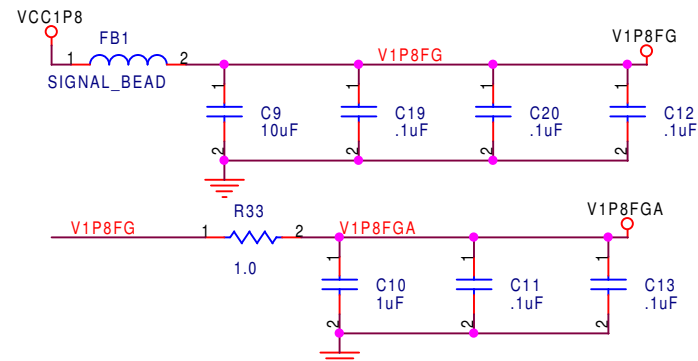


FOR 9DBV0241:  
Series resistors are internal.  
They are not needed in schematic.

FOR 9DBV0231:  
TO CONFIGURE FOR Zdiff = 85 Ohms  
Rs = 27 Ohms  
TO CONFIGURE FOR Zdiff = 100 Ohms  
Rs = 33 Ohms



NOTE:FERRITE BEADS FB1 =

Manufacture	Part Number	Z@100MHz	PkgSz	DC res.	Current (Ma)
muRata	BLM21A601R	600	0805	0.30	600
TDK	MMZ2012S601A	600	0805	0.30	600
STEWART	HZ0805E601R	600	0805	0.30	600
AssocCmpTch	CBG0805-600-50	600	0805	0.30	600

Manufacture	Part Number	Z@100MHz	PkgSz	DC res.	Current (Ma)
muRata	BLM18AG601SN1	600	1608	0.50	200
muRata	BLM18BD601SN1_PB	600	1608	0.65	200
Ceratech	HB-1T1608-601	600	1608	0.50	200
TDK	MMZ1608R301A	300	1608	0.20	500

- Usage notes.
1. If used on an add-in card or if spread modulation is or may be used use PLL ByPass mode.
  2. Other wise use HiBandWidth mode.
- Layout notes.
- 1.Route power from bead through bulk capacitor pad then through 0.1uF capacitor pad then to clock chip Vdd pad.
  - 2.Do not share ground vias. One ground pin one ground via.

Revision history  
0.1 2/7/2013 first publication

**Integrated Device Technology**  
San Jose, CA

Size A	Document Number 9DBV0231_SCH	Rev 0.1
Date: Thursday, February 07, 2013	Sheet 1	of 1