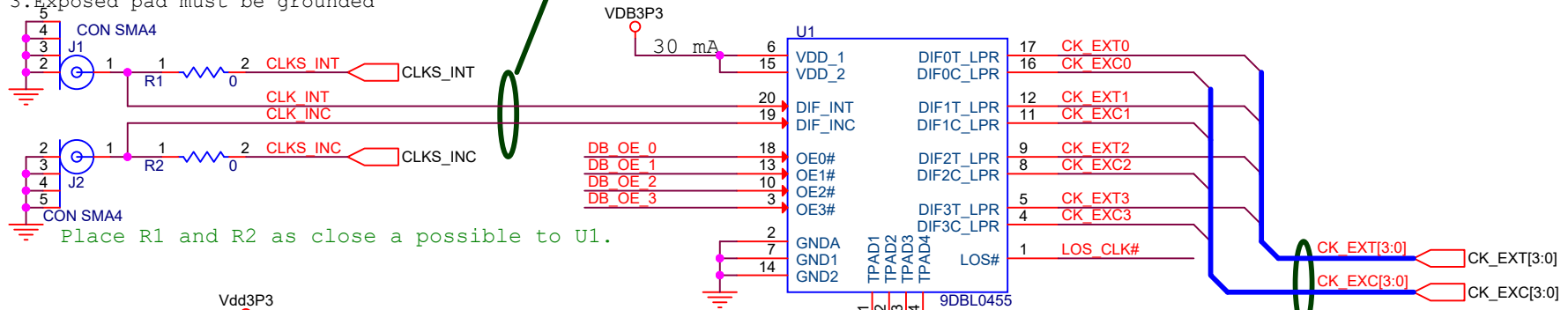


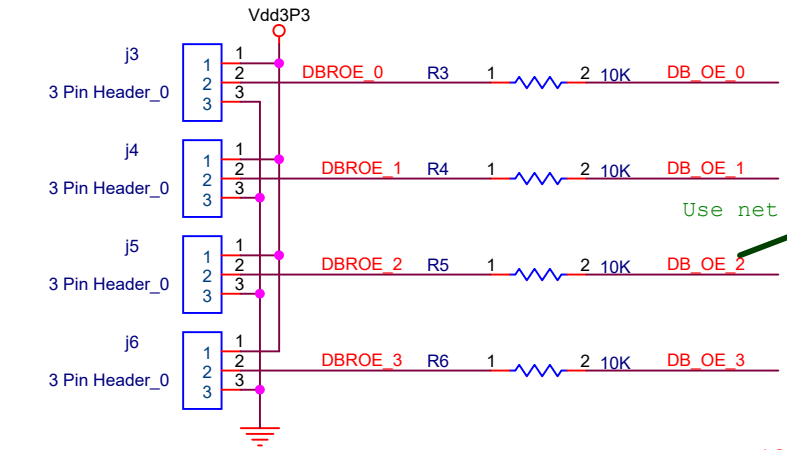
Layout notes.

- 1.Route power from bead through bulk capacitor pad then through 0.1uF capacitor pad then to clock chip Vdd pad.
- 2.Do not share ground vias. One ground pin one ground via.
- 3.Exposed pad must be grounded

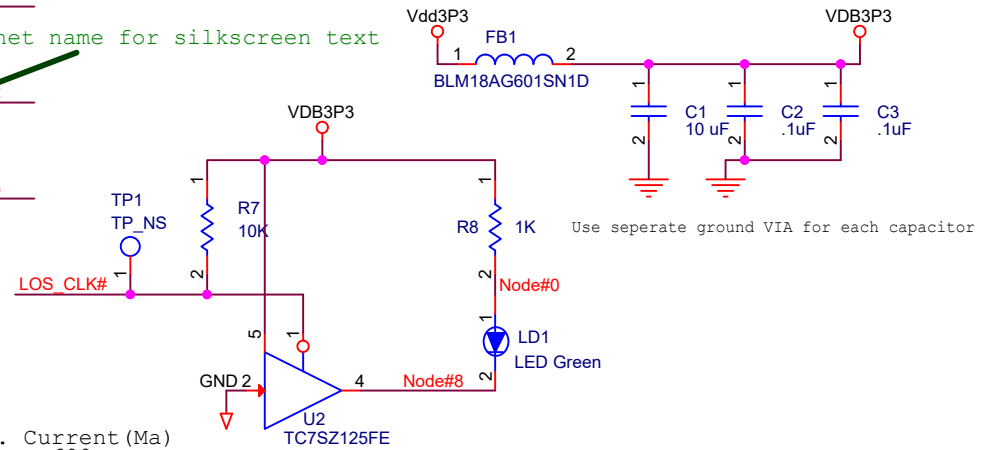


Place R1 and R2 as close a possible to U1.

For 9DBL0445 use 100 ohm differential trace.
For 9DBL0455 use 85 ohm differential trace.
10 inches to test structure



Use net name for silkscreen text



Use separate ground VIA for each capacitor

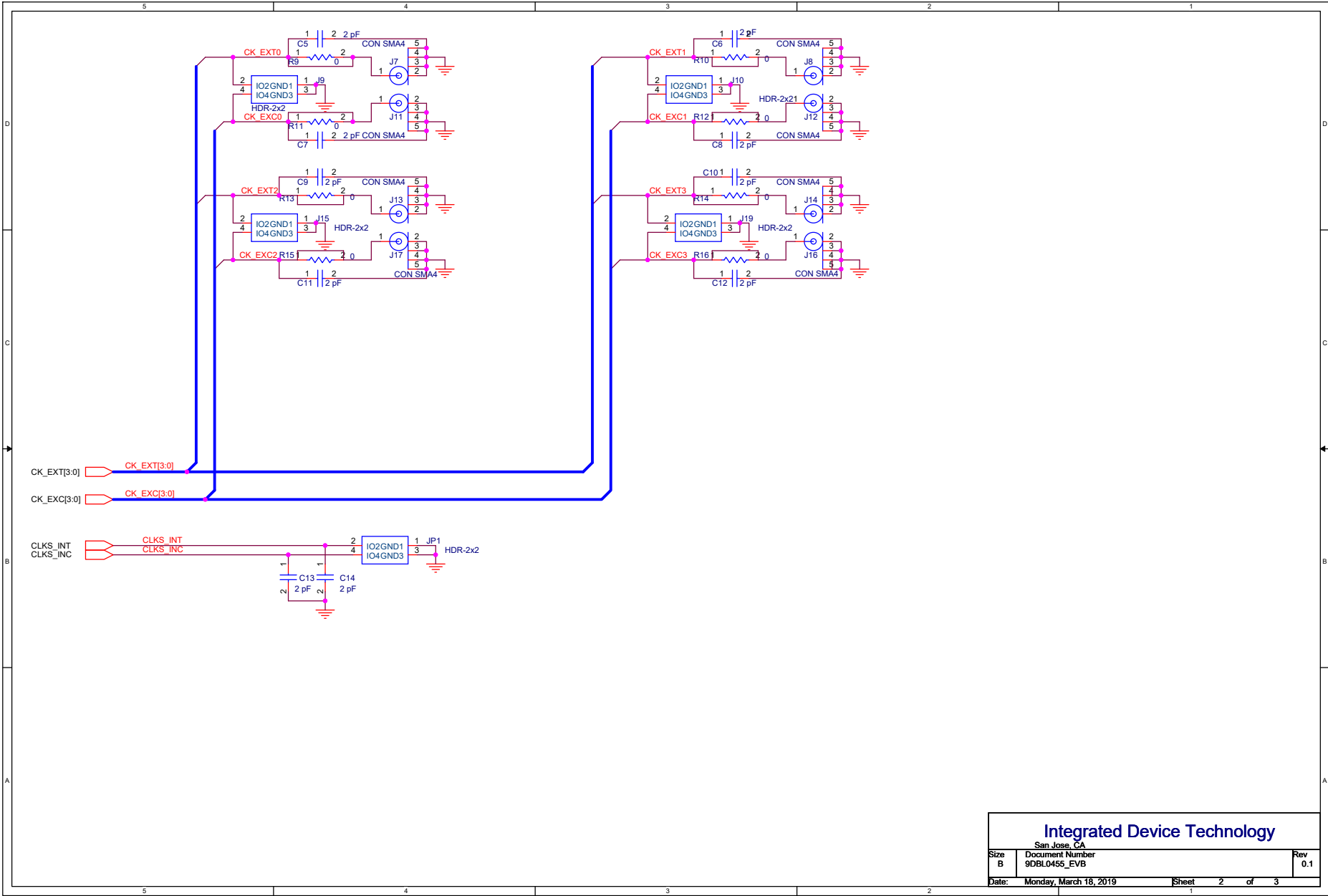
NOTE:FERRITE BEADS FB1 =

Manufacturer	Part Number	Z@100MHz	PkgSz	DC res.	Current (Ma)
muRata	BLM21AG60SN1	600	0805	0.30	600
TDK	MMZ2012S601A	600	0805	0.30	600
STEWART	HZ0805E601R	600	0805	0.30	600
AssocCmpTch	CBG0805-600-50	600	0805	0.30	600

Manufacturer	Part Number	Z@100MHz	PkgSz	DC res.	Current (Ma)
muRata	BLM18AG60ISN1	600	0603	0.50	200
muRata	BLM18BD60ISN1_PB	600	0603	0.65	200
Ceratech	HB-1T1608-601	600	0603	0.50	200
TDK	MMZ1608R301A	300	0603	0.20	500

Integrated Device Technology
San Jose, CA

Size A	Document Number 9DBL0455_EVB	Rev 0.1
Date: Thursday, February 20, 2020		Sheet 1 of 2



PLACE NEAR 4 CORNERS OF THE BOARD

FID1 FID2 FID3
FIDUCIAL FIDUCIAL FIDUCIAL

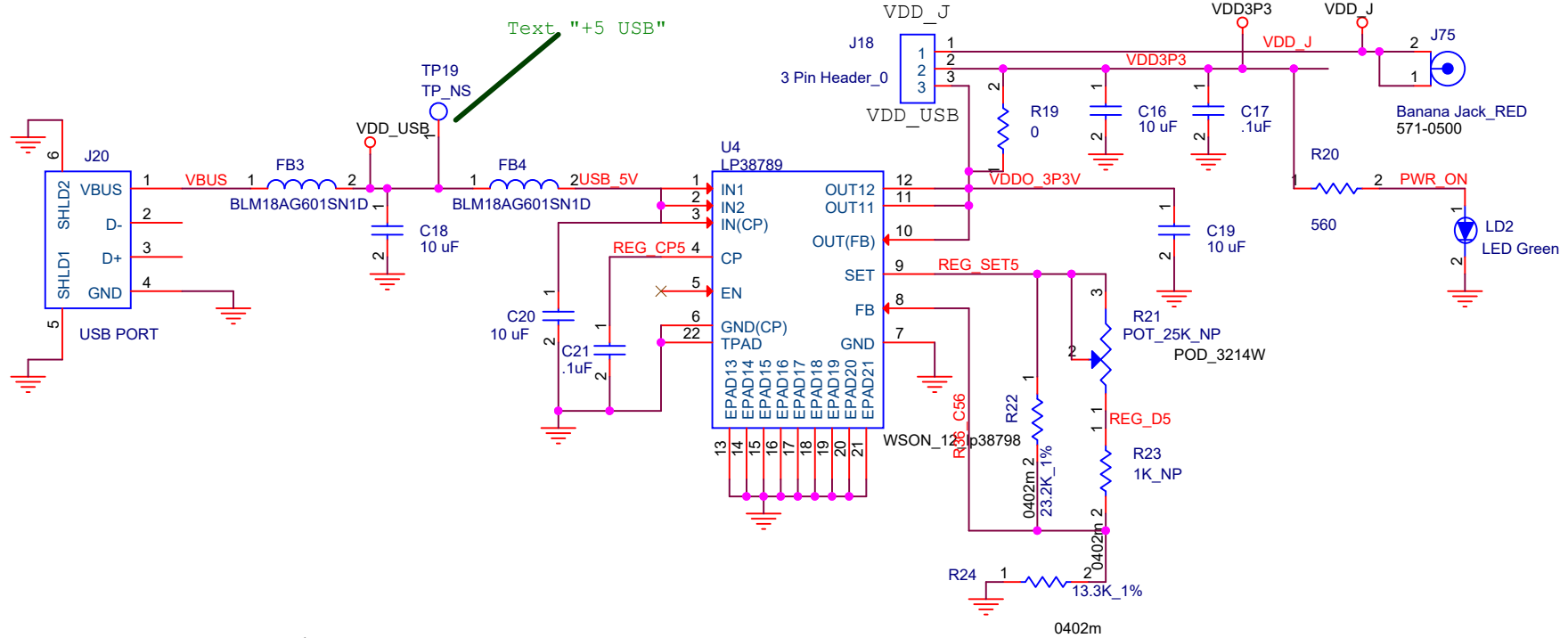
LOGO_IDT1
IDT

MTH#6_1 MTH#6_2 MTH#6_3 MTH#6_4
NS/MOUNTING HOLES

J74
Banana Jack_BLK
571-0100

J75
Banana Jack_RED
571-0500

Text "+5 USB"



NOTE:FERRITE BEADS FB1 =

Manufacture	Part Number	Z@100MHz	PkgSz	DC res.	Current (Ma)	TARGET
muRata	BLM21A6G01SN1	600	0805	0.30	600	VOUT
TDK	MMZ2012S601A	600	0805	0.30	600	VOUT
STEWART	HZ0805E601R	600	0805	0.30	600	
AssocCmpTch	CBG0805-600-50	600	0805	0.30	600	1.5 V

Manufacture	Part Number	Z@100MHz	PkgSz	DC res.	Current (Ma)	TARGET
muRata	BLM18AG601SN1	600	0603	0.50	200	1.8 V
muRata	BLM18BD601SN1_PB	600	0603	0.65	200	2.0 V
Ceratech	HB-1T1608-601	600	0603	0.50	200	2.5 V
TDK	MMZ1608R301A	300	0603	0.20	500	3.3 V

R22 R24 TYPICAL

Integrated Device Technology

San Jose, CA

Size A	Document Number LDO_SCH	Rev 0.1
Date: Monday, March 18, 2019		Sheet 3 of