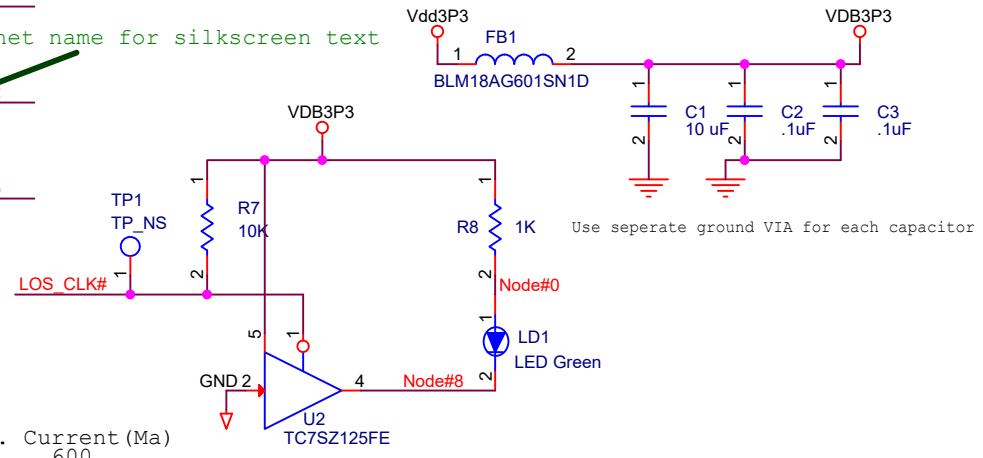
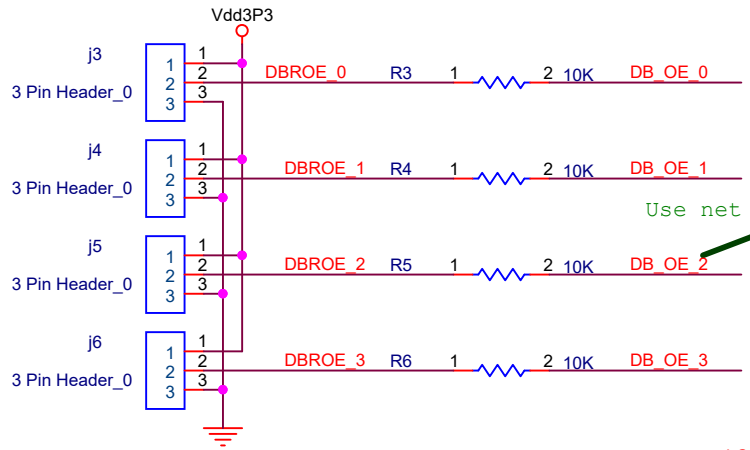
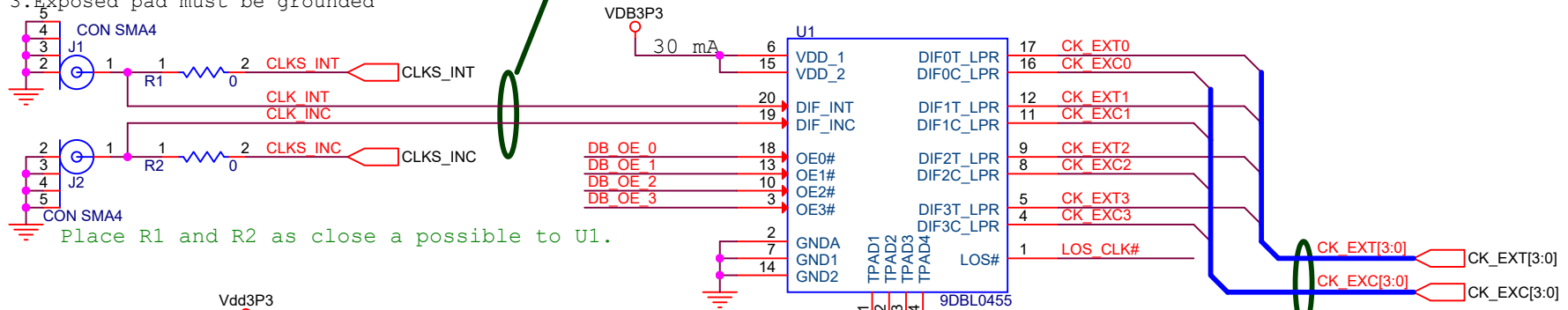


Layout notes.

- 1.Route power from bead through bulk capacitor pad then through 0.1uF capacitor pad then to clock chip Vdd pad.
- 2.Do not share ground vias. One ground pin one ground via.
- 3.Exposed pad must be grounded



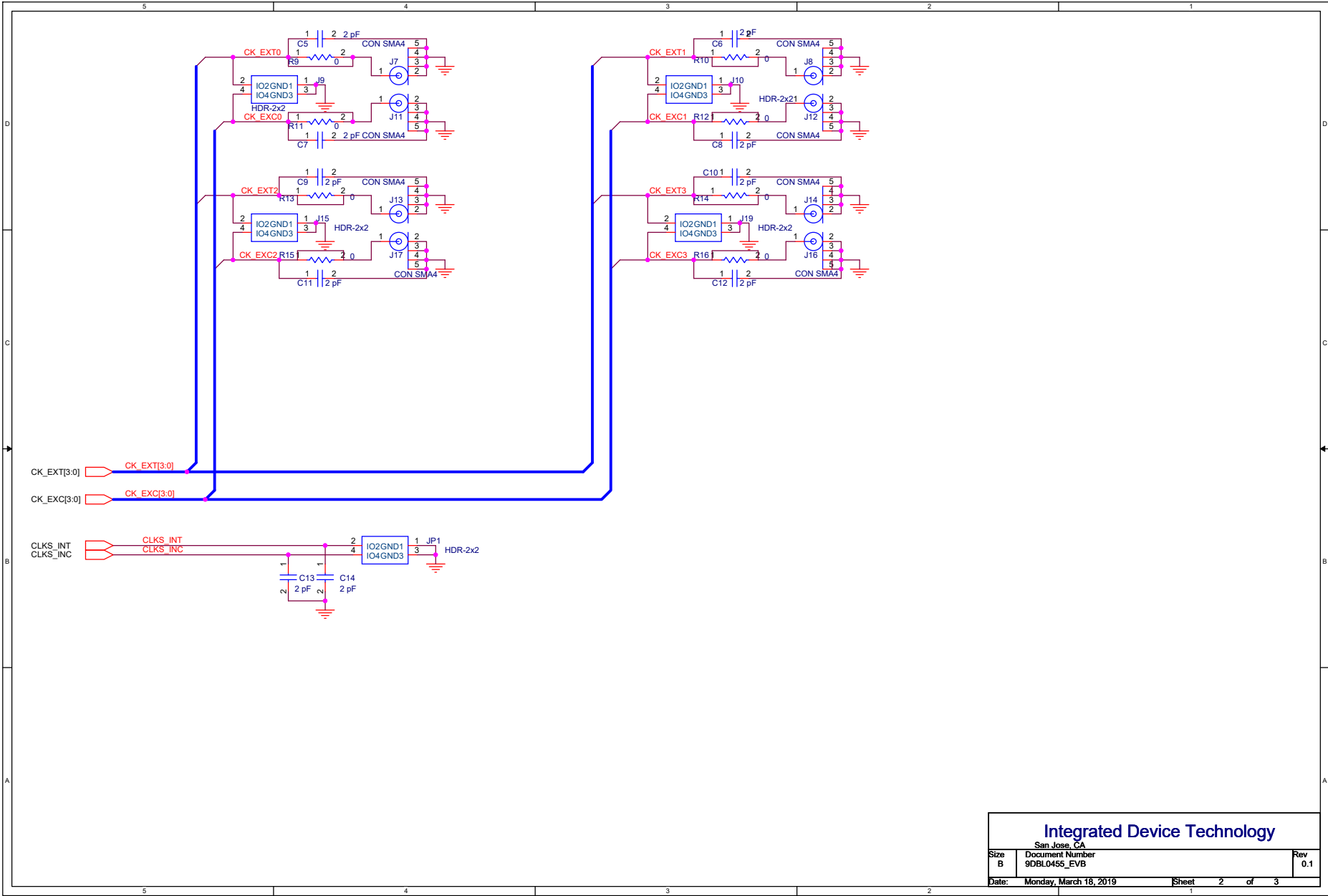
NOTE:FERRITE BEADS FB1 =

Manufacturer	Part Number	Z@100MHz	PkgSz	DC res.	Current (Ma)
muRata	BLM21AG60SN1	600	0805	0.30	600
TDK	MMZ2012S601A	600	0805	0.30	600
STEWART	HZ0805E601R	600	0805	0.30	600
AssocCmpTch	CBG0805-600-50	600	0805	0.30	600

Manufacturer	Part Number	Z@100MHz	PkgSz	DC res.	Current (Ma)
muRata	BLM18AG60ISN1	600	0603	0.50	200
muRata	BLM18BD60ISN1_PB	600	0603	0.65	200
Ceratech	HB-1T1608-601	600	0603	0.50	200
TDK	MMZ1608R301A	300	0603	0.20	500

Integrated Device Technology
San Jose, CA

Size A	Document Number 9DBL0455_EVB	Rev 0.1
Date: Thursday, February 20, 2020		Sheet 1 of 2



PLACE NEAR 4 CORNERS OF THE BOARD

FID1 FID2 FID3
FIDUCIAL FIDUCIAL FIDUCIAL

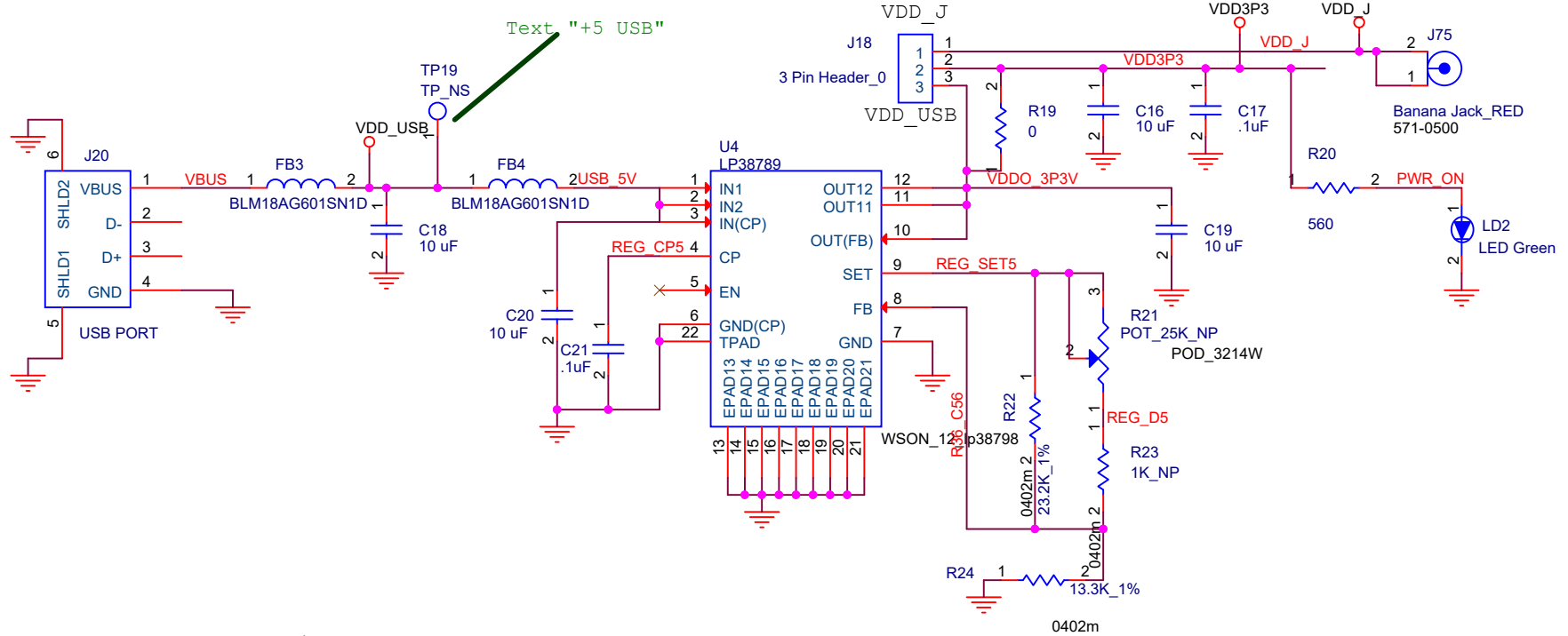
LOGO_IDT1
IDT

MTH#6_1 MTH#6_2 MTH#6_3 MTH#6_4
NS/MOUNTING HOLES

J74
Banana Jack_BLK
571-0100

J75
Banana Jack_RED
571-0500

Text "+5 USB"



NOTE:FERRITE BEADS FB1 =

Manufacture	Part Number	Z@100MHz	PkgSz	DC res.	Current (Ma)	TARGET
muRata	BLM21A6G01SN1	600	0805	0.30	600	VOUT
TDK	MMZ2012S601A	600	0805	0.30	600	VOUT
STEWARD	HZ0805E601R	600	0805	0.30	600	
AssocCmpTch	CBG0805-600-50	600	0805	0.30	600	1.5 V

Manufacture	Part Number	Z@100MHz	PkgSz	DC res.	Current (Ma)	TARGET
muRata	BLM18AG601SN1	600	0603	0.50	200	1.8 V
muRata	BLM18BD601SN1_PB	600	0603	0.65	200	2.0 V
Ceratech	HB-1T1608-601	600	0603	0.50	200	2.5 V
TDK	MMZ1608R301A	300	0603	0.20	500	3.3 V

R22 R24 TYPICAL

Integrated Device Technology

San Jose, CA

Size A	Document Number LDO_SCH	Rev 0.1
Date: Monday, March 18, 2019		Sheet 3 of