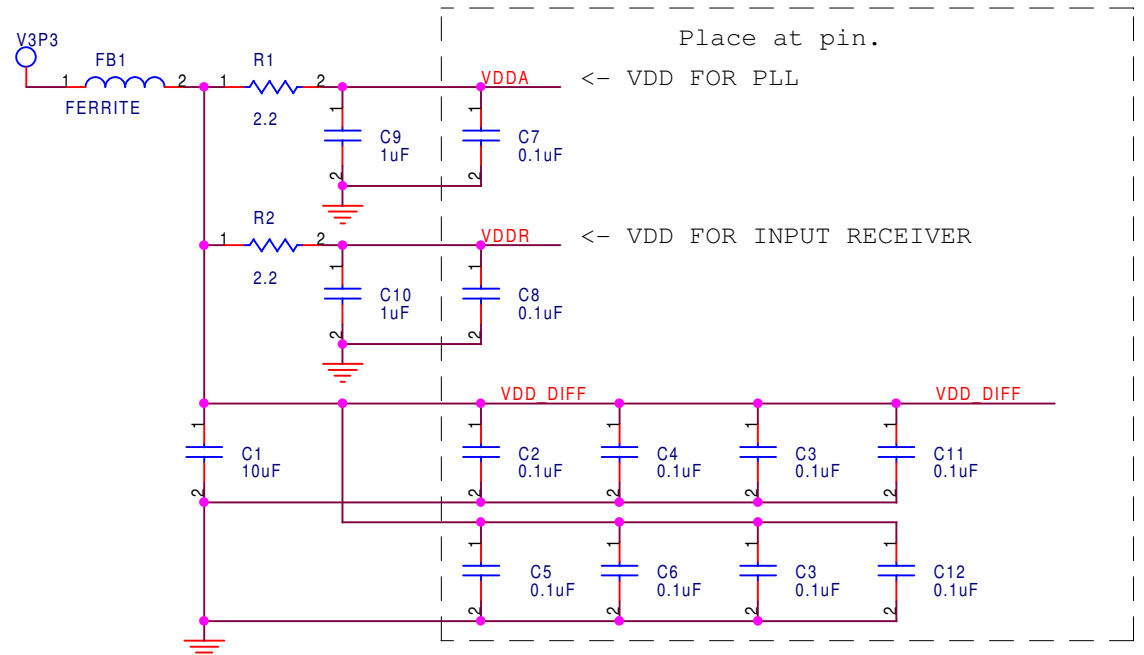


CLK133 P0	R47	1	2	43.2	1%
CLK133 N0	R46	1	2	43.2	1%
CLK133 P1	R49	1	2	43.2	1%
CLK133 N1	R48	1	2	43.2	1%
CLK133 P2	R51	1	2	43.2	1%
CLK133 N2	R50	1	2	43.2	1%
CLK133 P3	R53	1	2	43.2	1%
CLK133 N3	R52	1	2	43.2	1%
CLK133 P4	R55	1	2	43.2	1%
CLK133 N4	R54	1	2	43.2	1%
CLK133 P5	R57	1	2	43.2	1%
CLK133 N5	R56	1	2	43.2	1%
CLK133 P6	R59	1	2	43.2	1%
CLK133 N6	R58	1	2	43.2	1%
CLK133 P7	R61	1	2	43.2	1%
CLK133 N7	R60	1	2	43.2	1%
CLK133 P8	R63	1	2	43.2	1%
CLK133 N8	R62	1	2	43.2	1%
CLK133 P9	R65	1	2	43.2	1%
CLK133 N9	R64	1	2	43.2	1%
CLK133 P10	R67	1	2	43.2	1%
CLK133 N10	R66	1	2	43.2	1%
CLK133 P11	R69	1	2	43.2	1%
CLK133 N11	R68	1	2	43.2	1%



9DB1200 SMBus Addressing

SMB_PIN	Address
HIGH	D4/D5
MID	D6/D7
LOW	DC/DD

NOTE:FERRITE BEADS =

Manufacture	Part Number	Z@100MHz	PkgSz	DC res.	Current (Ma)
muRata	BLM21A601R	600	0805	0.30	500
TDK	MMZ2012S601A	600	0805	0.30	600
STEWART	HZ0805E601R	600	0805	0.30	600
AssocCmpTch	CBG0805-600-50	600	0805	0.30	600

Impedance dependent resistor values

Resistor	Zdiff =	Zdiff =
100 ohm	100 ohm	85 ohm
IREF	475 1%	412 1%
Series	33 5%	27 5%
Shunt	49.9 1%	43.2 1%

Revision history

Rev	Change
0.1	First publication
0.2	Added 9DB1233

Integrated Device Technology
6024 Silver Creek Valley Road
San Jose, CA

Title: ICS9DB1233

Size B Document Number Rev 0.3

Date: Monday, August 09, 2010 Sheet 1 of 1