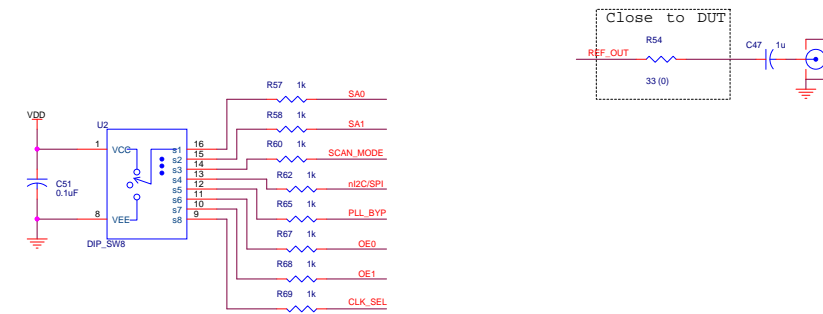
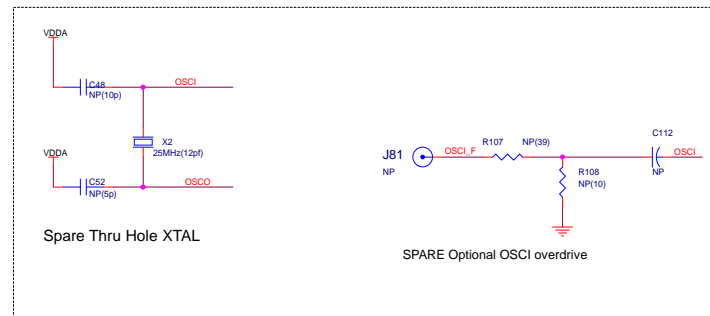
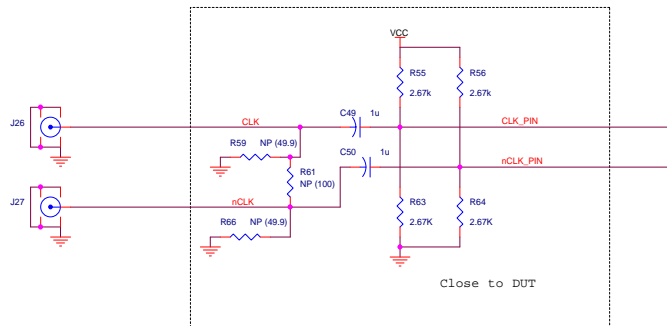
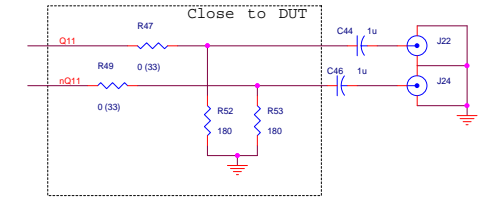
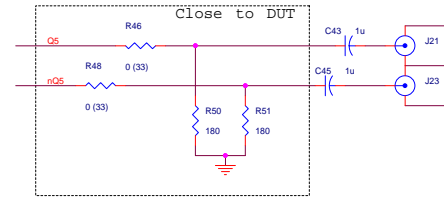
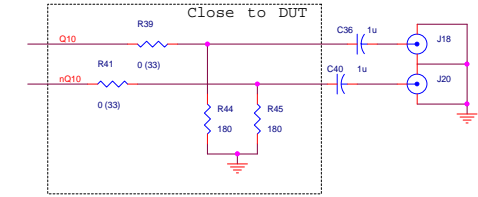
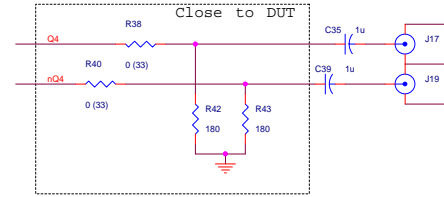
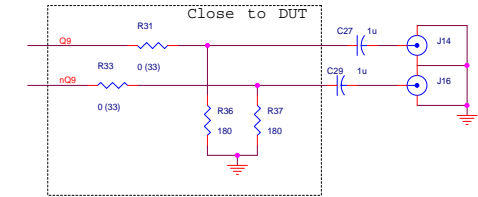
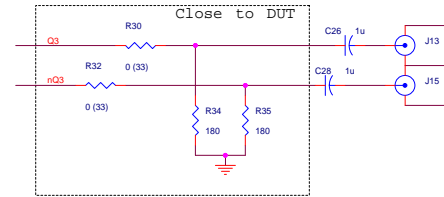
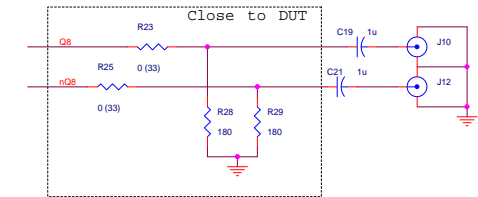
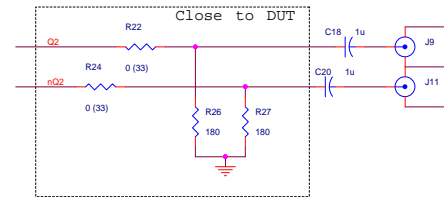
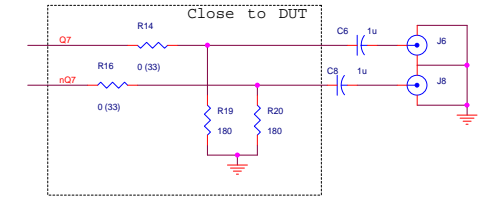
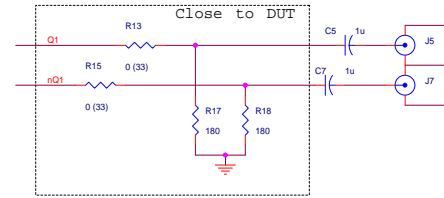
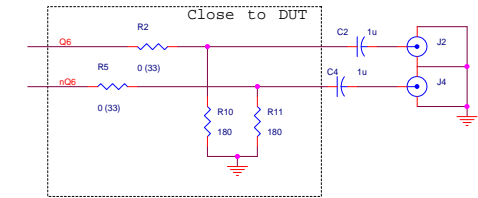
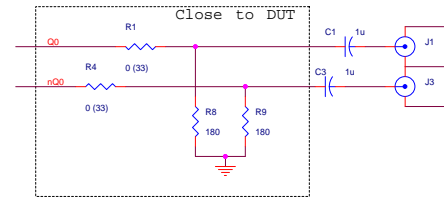
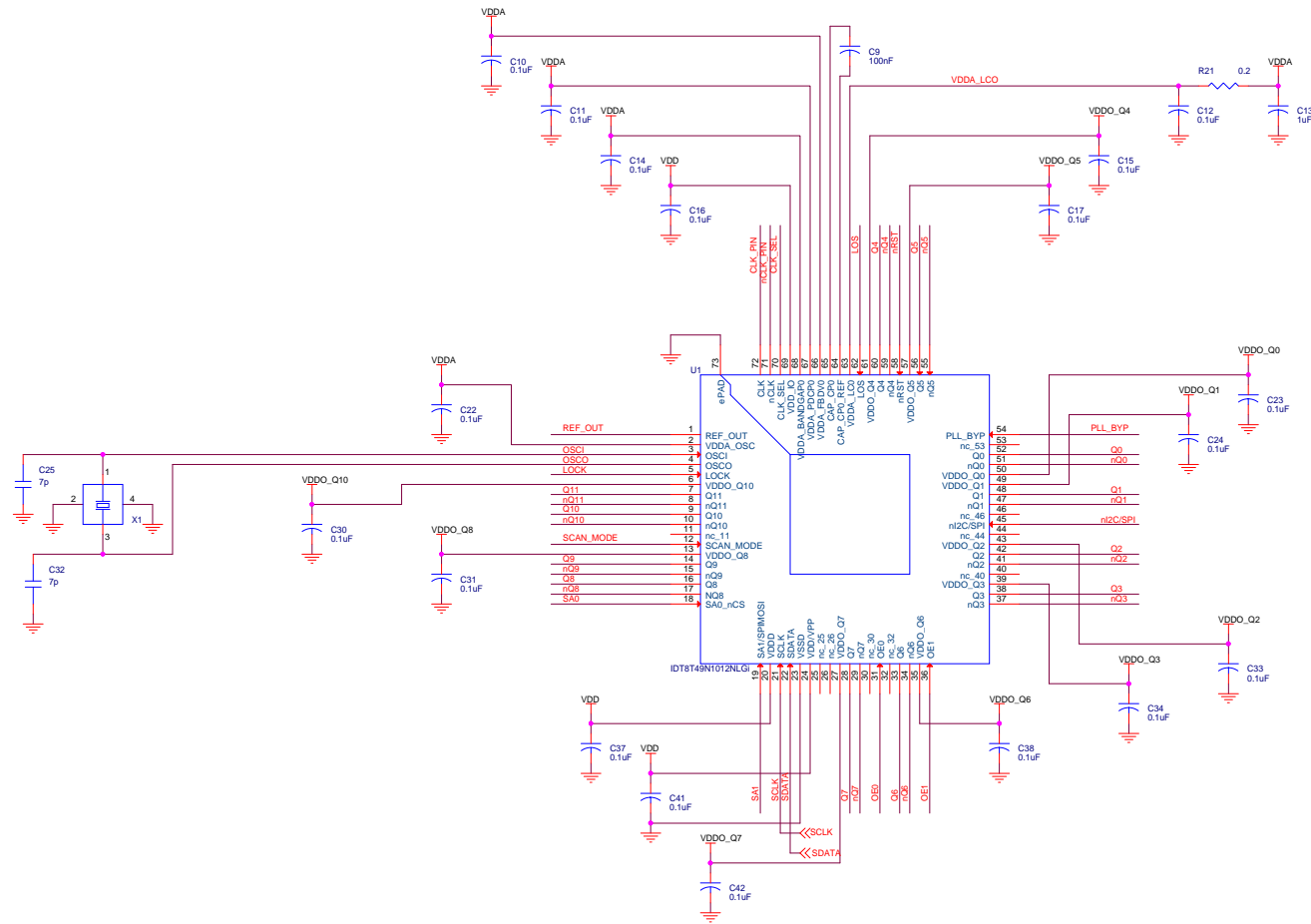
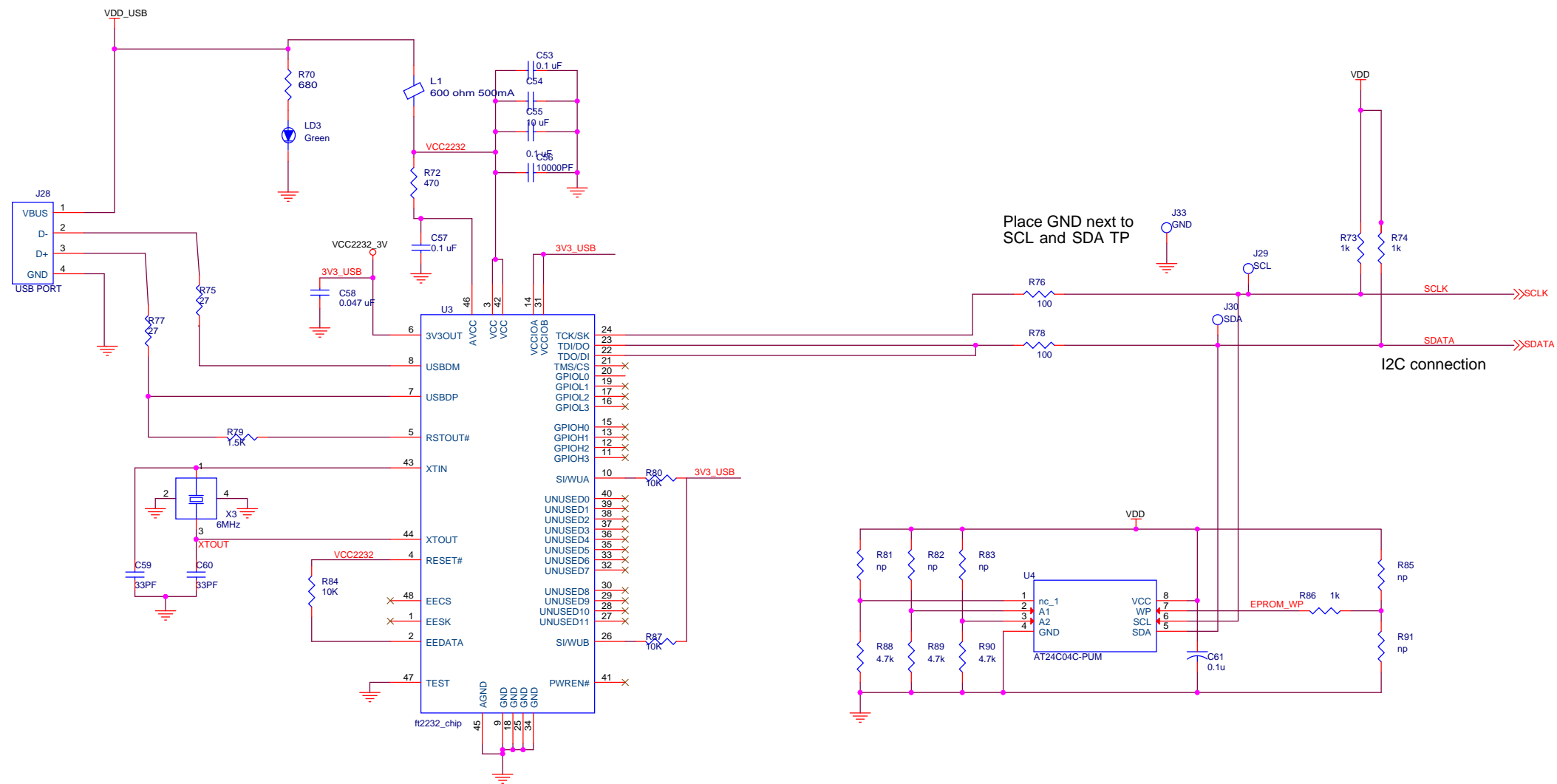


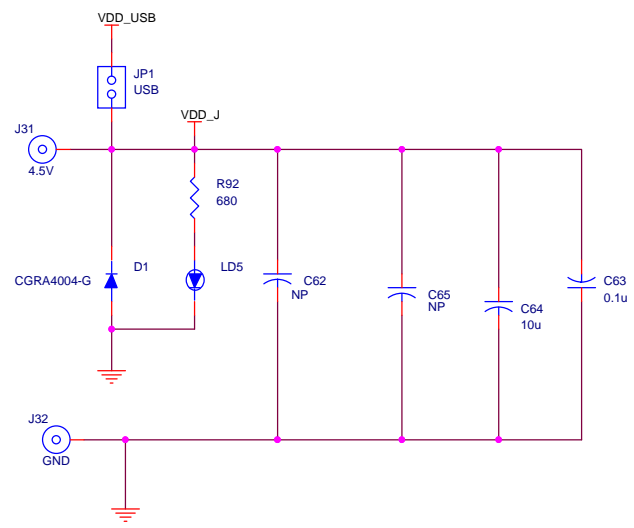
LD1 and LD2 Check the footprint in the layout. Verify that the symbol polarity/direction is correct.



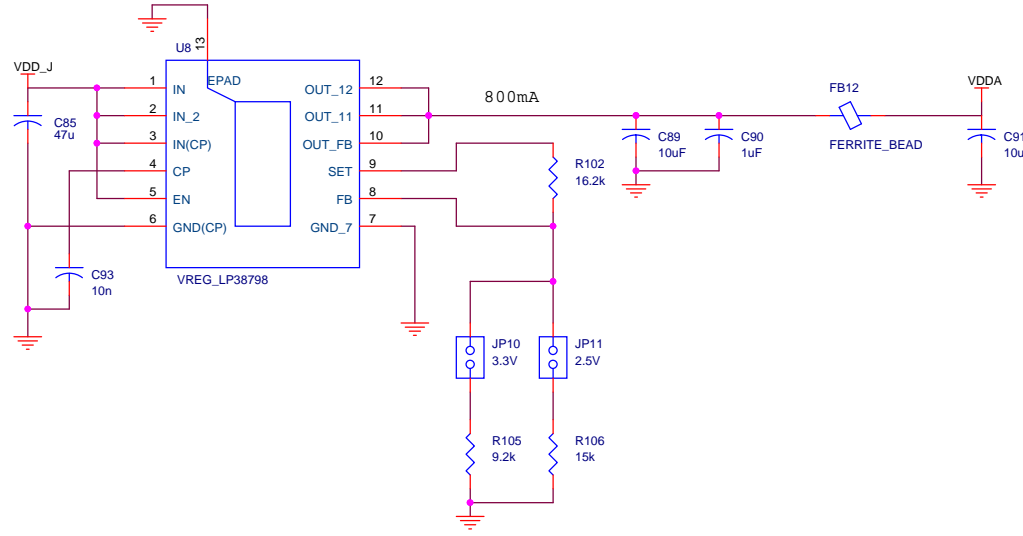
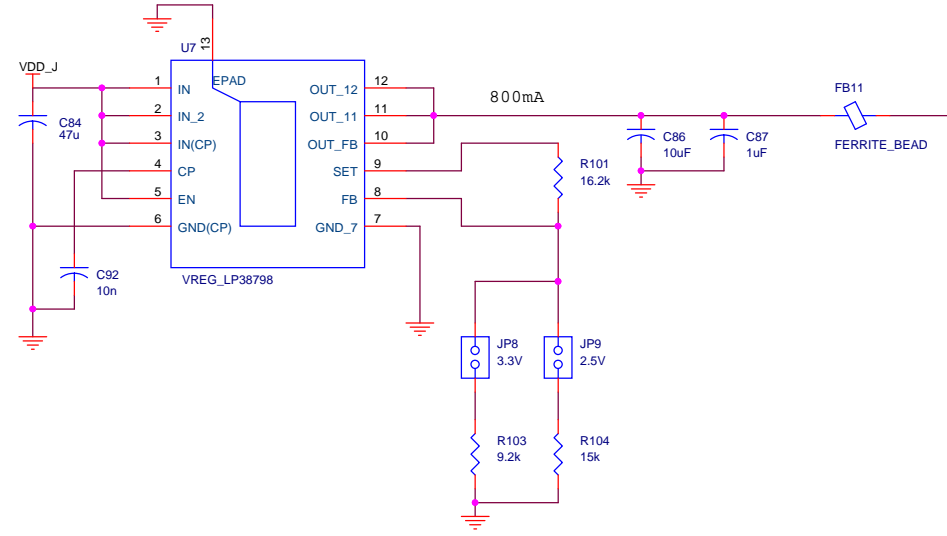
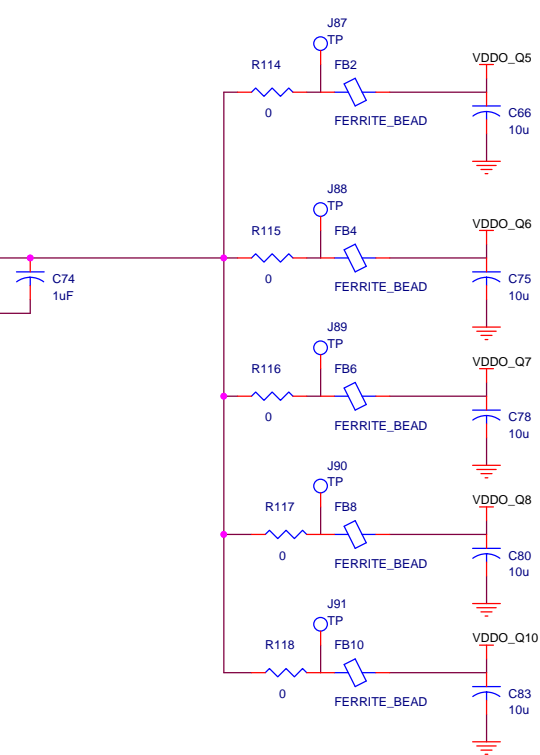
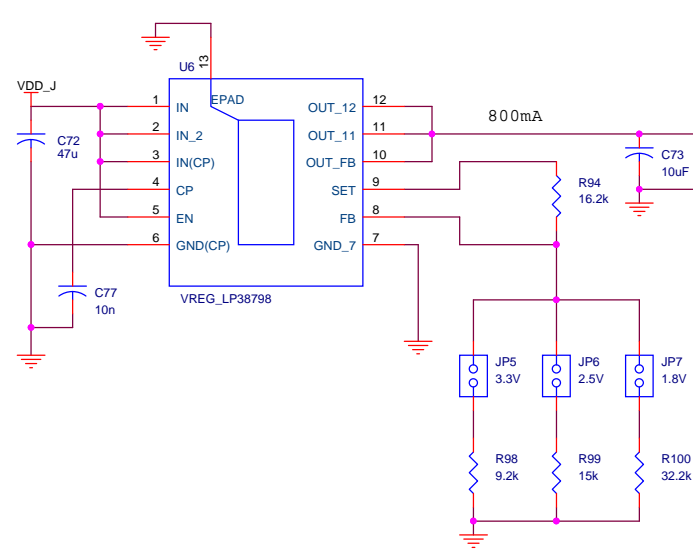
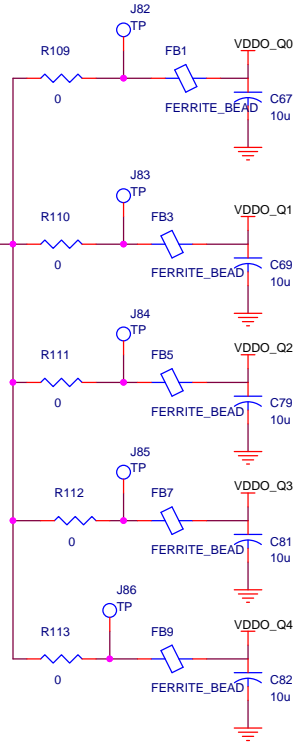
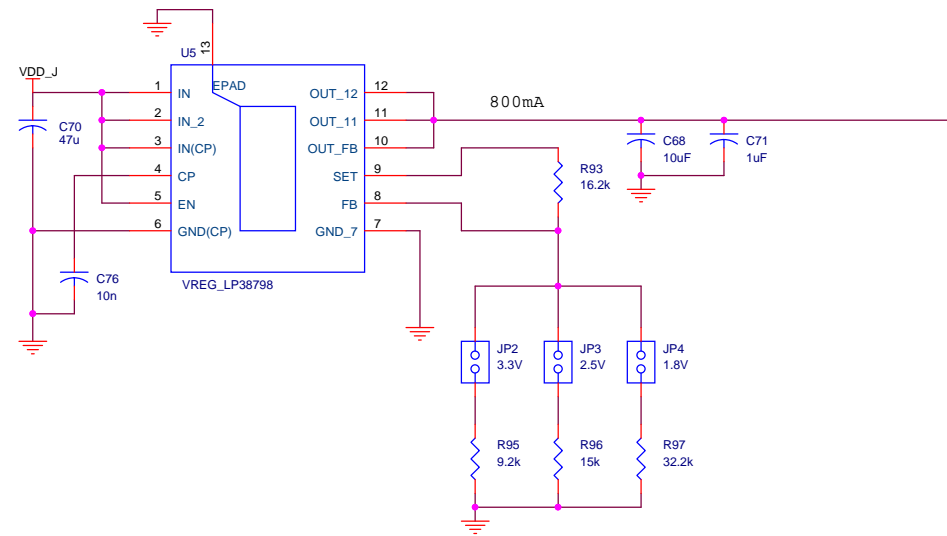
File	<Title>
Size	Document Number
D	<Doc>
Date	Wednesday, November 04, 2015 Sheet 1 of 3



Title			<Title>
Size	Document Number	Rev	
C	<Doc>	<Rev Code>	
Date:	Wednesday, November 04, 2015	Sheet	2 of 3



GND TP
place near the
LDOs



Title			<Title>
Size	Document Number	Rev	
C	<Doc>	<Rev Code>	
Date:	Wednesday, November 04, 2015	Sheet	3 of 3