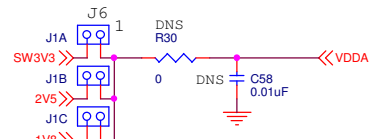
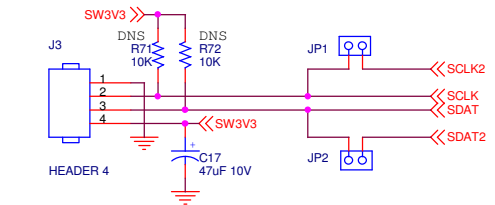


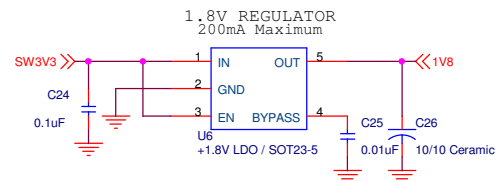
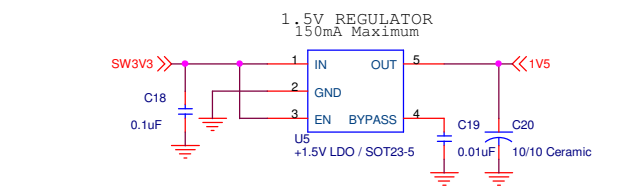
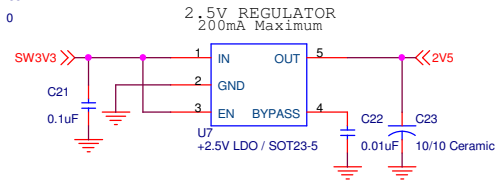
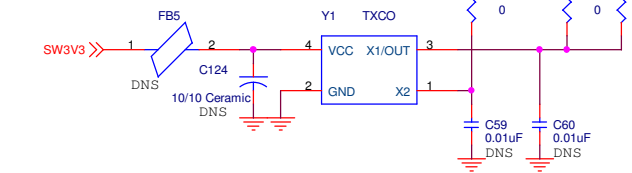
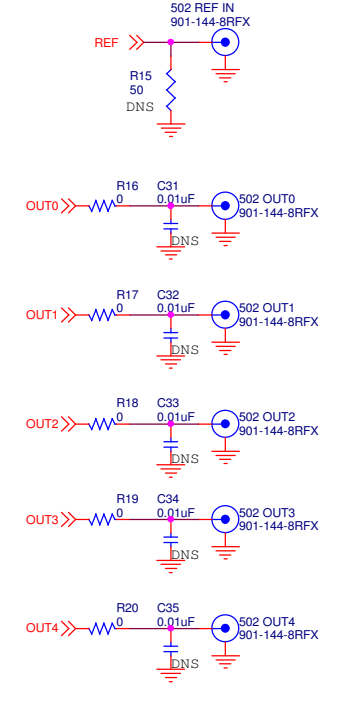
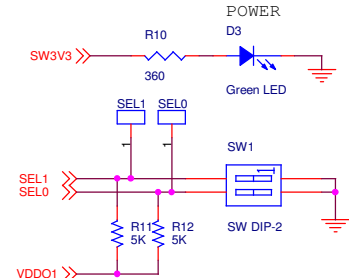
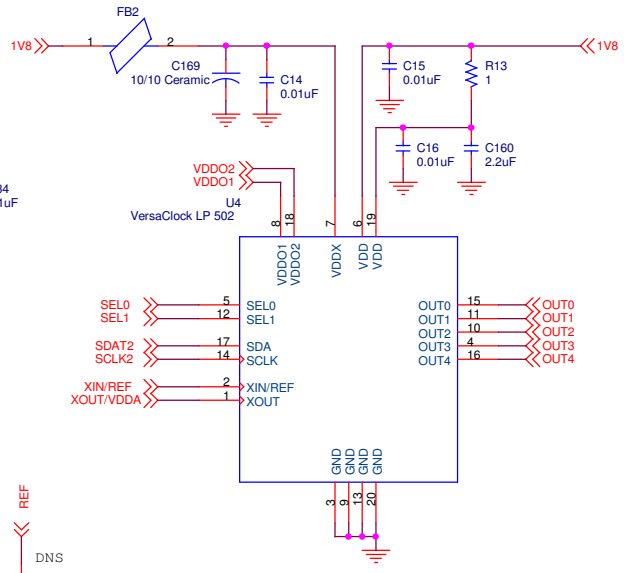
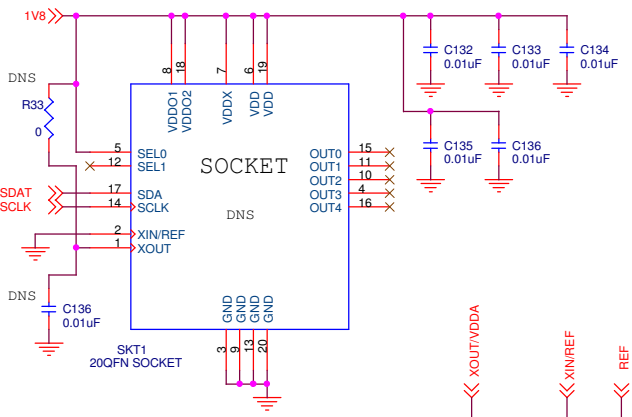
EXTERNAL PROGRAMMING
MALE CONNECTOR



VersaClock LP

50x Device Module

v1.2



Title		
VersaClock LP Device Module 502		
Size	Document Number	Rev
B	DLP Design, Inc.	1.2
Date:	Thursday, May 13, 2010	Sheet 1 of 1