

To our customers,

---

## Old Company Name in Catalogs and Other Documents

---

On April 1<sup>st</sup>, 2010, NEC Electronics Corporation merged with Renesas Technology Corporation, and Renesas Electronics Corporation took over all the business of both companies. Therefore, although the old company name remains in this document, it is a valid Renesas Electronics document. We appreciate your understanding.

Renesas Electronics website: <http://www.renesas.com>

April 1<sup>st</sup>, 2010  
Renesas Electronics Corporation

Issued by: Renesas Electronics Corporation (<http://www.renesas.com>)

Send any inquiries to <http://www.renesas.com/inquiry>.

## Notice

1. All information included in this document is current as of the date this document is issued. Such information, however, is subject to change without any prior notice. Before purchasing or using any Renesas Electronics products listed herein, please confirm the latest product information with a Renesas Electronics sales office. Also, please pay regular and careful attention to additional and different information to be disclosed by Renesas Electronics such as that disclosed through our website.
2. Renesas Electronics does not assume any liability for infringement of patents, copyrights, or other intellectual property rights of third parties by or arising from the use of Renesas Electronics products or technical information described in this document. No license, express, implied or otherwise, is granted hereby under any patents, copyrights or other intellectual property rights of Renesas Electronics or others.
3. You should not alter, modify, copy, or otherwise misappropriate any Renesas Electronics product, whether in whole or in part.
4. Descriptions of circuits, software and other related information in this document are provided only to illustrate the operation of semiconductor products and application examples. You are fully responsible for the incorporation of these circuits, software, and information in the design of your equipment. Renesas Electronics assumes no responsibility for any losses incurred by you or third parties arising from the use of these circuits, software, or information.
5. When exporting the products or technology described in this document, you should comply with the applicable export control laws and regulations and follow the procedures required by such laws and regulations. You should not use Renesas Electronics products or the technology described in this document for any purpose relating to military applications or use by the military, including but not limited to the development of weapons of mass destruction. Renesas Electronics products and technology may not be used for or incorporated into any products or systems whose manufacture, use, or sale is prohibited under any applicable domestic or foreign laws or regulations.
6. Renesas Electronics has used reasonable care in preparing the information included in this document, but Renesas Electronics does not warrant that such information is error free. Renesas Electronics assumes no liability whatsoever for any damages incurred by you resulting from errors in or omissions from the information included herein.
7. Renesas Electronics products are classified according to the following three quality grades: “Standard”, “High Quality”, and “Specific”. The recommended applications for each Renesas Electronics product depends on the product’s quality grade, as indicated below. You must check the quality grade of each Renesas Electronics product before using it in a particular application. You may not use any Renesas Electronics product for any application categorized as “Specific” without the prior written consent of Renesas Electronics. Further, you may not use any Renesas Electronics product for any application for which it is not intended without the prior written consent of Renesas Electronics. Renesas Electronics shall not be in any way liable for any damages or losses incurred by you or third parties arising from the use of any Renesas Electronics product for an application categorized as “Specific” or for which the product is not intended where you have failed to obtain the prior written consent of Renesas Electronics. The quality grade of each Renesas Electronics product is “Standard” unless otherwise expressly specified in a Renesas Electronics data sheets or data books, etc.
  - “Standard”: Computers; office equipment; communications equipment; test and measurement equipment; audio and visual equipment; home electronic appliances; machine tools; personal electronic equipment; and industrial robots.
  - “High Quality”: Transportation equipment (automobiles, trains, ships, etc.); traffic control systems; anti-disaster systems; anti-crime systems; safety equipment; and medical equipment not specifically designed for life support.
  - “Specific”: Aircraft; aerospace equipment; submersible repeaters; nuclear reactor control systems; medical equipment or systems for life support (e.g. artificial life support devices or systems), surgical implantations, or healthcare intervention (e.g. excision, etc.), and any other applications or purposes that pose a direct threat to human life.
8. You should use the Renesas Electronics products described in this document within the range specified by Renesas Electronics, especially with respect to the maximum rating, operating supply voltage range, movement power voltage range, heat radiation characteristics, installation and other product characteristics. Renesas Electronics shall have no liability for malfunctions or damages arising out of the use of Renesas Electronics products beyond such specified ranges.
9. Although Renesas Electronics endeavors to improve the quality and reliability of its products, semiconductor products have specific characteristics such as the occurrence of failure at a certain rate and malfunctions under certain use conditions. Further, Renesas Electronics products are not subject to radiation resistance design. Please be sure to implement safety measures to guard them against the possibility of physical injury, and injury or damage caused by fire in the event of the failure of a Renesas Electronics product, such as safety design for hardware and software including but not limited to redundancy, fire control and malfunction prevention, appropriate treatment for aging degradation or any other appropriate measures. Because the evaluation of microcomputer software alone is very difficult, please evaluate the safety of the final products or system manufactured by you.
10. Please contact a Renesas Electronics sales office for details as to environmental matters such as the environmental compatibility of each Renesas Electronics product. Please use Renesas Electronics products in compliance with all applicable laws and regulations that regulate the inclusion or use of controlled substances, including without limitation, the EU RoHS Directive. Renesas Electronics assumes no liability for damages or losses occurring as a result of your noncompliance with applicable laws and regulations.
11. This document may not be reproduced or duplicated, in any form, in whole or in part, without prior written consent of Renesas Electronics.
12. Please contact a Renesas Electronics sales office if you have any questions regarding the information contained in this document or Renesas Electronics products, or if you have any other inquiries.

(Note 1) “Renesas Electronics” as used in this document means Renesas Electronics Corporation and also includes its majority-owned subsidiaries.

(Note 2) “Renesas Electronics product(s)” means any product developed or manufactured by or for Renesas Electronics.

---

# IC Socket Board for the M16C Family (R0K3100PSZ000BR)

## Release Note Rev. 1.10

Renesas Solutions Corp

January 16, 2007

Thank you very much for purchasing the IC socket board for the M16C family (R0K3100PSZ000BR).

This release note describes how to use the IC socket board (R0K3100PSZ000BR).

Please be sure to read this release note before using the IC socket board.

### Table of Contents

1. Introduction .....	2
2. Usage Precautions (Please Be Sure to Read) .....	2
3. Product Outline.....	2
4. Product Specifications.....	3
5. Package Composition .....	3
6. Configuration of the IC Socket Board .....	3
6.1. External Specifications .....	3
6.2. Input Power Supply .....	3
6.3. Jumper Specifications.....	4
6.4 Switch Specifications .....	4
6.5. Connector Specifications.....	4
7. Connecting the Flash Programmer to the IC Socket Board.....	6
7.1. Connecting USB Flash Writer.....	6
7.2. Connecting Flash Starter .....	6
7.3. Connecting Flash Development Toolkit.....	7
7.4. Connecting the Flash Programmer Made by Suisei Electronics System .....	7
7.5. Connecting the Flash Programmer Made by Sunny Giken .....	8
7.6. Connecting the Flash Programmer Made by Yokogawa Digital Computer .....	8
8. Using the Flash Programmer .....	8
9. Getting the Latest Information .....	8

## 1. Introduction

This release note describes how to use the hardware included with the IC socket board (R0K3100PSZ000BR; hereafter the product type name is omitted) and the precautions to be observed when using it.

## 2. Usage Precautions (Please Be Sure to Read)

### [About the removal of a microcomputer]

Before using the IC socket board to remove a microcomputer from the IC socket board, be sure to turn off the power for the IC socket board. If a microcomputer is inadvertently removed or attached while the power is on, Renesas will withhold guarantee and support for the IC socket board and microcomputer.

**Caution: The LED mounted on the IC socket board goes off when the IC socket board is no longer supplied with power. Please be sure to confirm that the LED is turned off.**

### [About a connection of the flash programmer]

The communication connectors (CN1–CN4) mounted on the IC socket board are configured with wired-OR logic. Therefore, do not connect two or more flash programmers to the IC socket board at the same time. If two or more flash programmers are inadvertently plugged into the communication connectors (CN1–CN4), Renesas will withhold guarantee for the IC socket board and flash programmers.

## 3. Product Outline

This product is a write-only IC socket board that permits a program to be written into a 100-pin version flash microcomputer of the M16C family by using a flash programmer.

### [Supported MCUs]

M16C family of 100-pin version flash microcomputers

Supported package: PRQP0100JB-A (100P6S-A)

### [Supported programmers]\*1

(1) Renesas Technology Corp.

- ✓ Flash Starter (M3A-0806)
- ✓ USB Flash Writer (M3A-0665)
- ✓ Flash Development Toolkit

URL address : <http://www.renesas.com/homepage.jsp>

(2) Suisai Electronics System Co.

- ✓ EFP-S2 EPROM\*2
- ✓ EFP-S2V EPROM\*3

URL address : [http://www.suisai.co.jp/index\\_e.html](http://www.suisai.co.jp/index_e.html)

(3) Sunny Giken Inc.

- ✓ Multifunction flash microcomputer programmer MFW-1
- ✓ USB-compatible multifunction flash microcomputer programmer S550-MFW1U

URL address : <http://www.sunnygiken.co.jp/english/index.html>

(4) Yokogawa Digital Computer Corporation

- ✓ NET IMPRESS flash microcomputer programmer \*4

URL address : <http://www.yokogawa-digital.com/emb/en/index.html>

**\*1: Depending on the flash programmer used, not all microcomputers of the M16C family may be supported. Please be sure to confirm that your flash programmer is usable for the intended microcomputer.**

**\*2: To use EFP-S2, please purchase the flash programmer from its supplier, separately from the IC socket board.**

**\*3: To use EFP-S2V, please purchase the flash programmer from its supplier, separately from the IC socket board.**

**\*4: To use NET IMPRESS, please purchase the flash programmer from its supplier, separately from the IC socket board.**

## 4. Product Specifications

Specifications of the IC socket board are listed in Table 4-1.

Table 4-1 . IC Socket Board Specifications

Item		R0K3100PSZ000BR
Operating voltage		5.0V,3.0V
Operating environment	Operating ambient temperature	25±5[°]
	Humidity	No dewdrops allowed

## 5. Package Composition

The package composition of the IC socket board is listed in Table 5-1.

Table 5-1. IC Socket Board Package Composition

Product name	Quantity	Remark
IC socket board (R0K3100PSZ000BR)	1 pc.	
Power cable	1 pc.	
Release note	1 copy	Japanese and English versions

## 6. Configuration of the IC Socket Board

### 6.1. External Specifications

External specifications of the IC socket board are listed in Table 6-1.

Table 6-1. IC Socket Board External Specifications

Item	Content	Remark
Connector	[CN1]: Communication connector 1 Accepts Renesas Technology and Sunny Giken	Mounted on-board
	[CN2]: Communication connector 2 Accepts Suisei Electronics System	Mounted on-board
	[CN3]: Communication connector 3 Accepts Yokogawa Digital Computer	Not mounted on-board (to be purchased separately)
	[CN4]: Communication connector 4 Accepts Renesas Technology	Mounted on-board
IC socket	[MCU1]: IC234-1004-098P	PRQP0100JB-A(100P6S-A)
Resonator	[X1]: 10MHz	Mounted on
LED	[D2]: Power lamp	Mounted on
Jumper	[JP1]: Switches between external power supplies [JP2]: Connects a reset signal [JP3]: Connects an EPM signal [JP4]: Connects a CE signal	Mounted on-board
Test pin	[TP1, TP2]: Power supply pins [TP3–TP10]: Communication signals [TP11–TP16]: GND signals	Through-hole
Power supply jack	[J2]: Single-power supply jack	Mounted on-board

### 6.2. Input Power Supply

#### 1) Power supply from the flash programmer

If the power for the IC socket board can be supplied from the flash programmer, plug a connector from the flash programmer into the corresponding communication connector of the IC socket board.

#### 2) Single-power supply jack (J2)

To use a single power supply

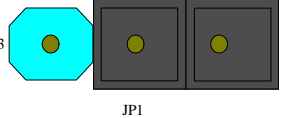
For 5 V power supply, input  $5.0\text{ V} \pm 0.5\text{ V}$  to this jack.

For 3 V power supply, input  $3.0\text{ V} \pm 0.3\text{ V}$  to this jack.

### 6.3. Jumper Specifications

Use JP1 to select an external power supply and the type of power supply. Table 6-2 shows JP1 settings.

Table 6-2. JP1 Settings

Jumper setting	Content	Initial setting	Remark
JP1*1	Switches between external power supplies		Default
JP2	Connects a reset signal	Shorted (connected)	Fixed
JP3	Connects an EPM signal	Shorted (connected)	Fixed
JP4	Connects a CE signal	Shorted (connected)	Fixed

\*1: To use J2 for power supply, short 2-3 together.

### 6.4 Switch Specifications

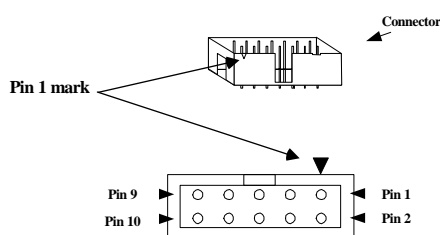
SW1 is used as a reset signal for the microcomputer.

### 6.5. Connector Specifications

1) CN1: 10-pin connector (accepts Renesas Technology and Sunny Giken)

Pin assignments of CN1 are shown in Table 6-3 and Figure 6-1.

Table 6-3. CN1 Pin Assignments



Pin No.	Signal Name
1	Vcc
2	BUSY
3	SCLK
4	RxD
5	CE
6	EPM
7	GND
8	RESET
9	CNVss
10	TxD

Figure 6-1. CN1 Pin Layout

Reference) CN1

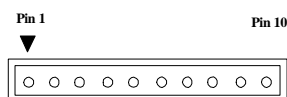
Part type name: HIF3FC-10PA-2.54DS

Manufacturer: Hirose

2) CN2: 10-pin connector (accepts Suisei Electronics System)

Pin assignments of CN2 are shown in Table 6-4 and Figure 6-2.

Table 6-4. CN2 Pin Assignments



Pin No.	Signal Name
1	GND
2	TxD
3	BUSY
4	N.C
5	Vcc
6	SCLK
7	RxD
8	CNVss
9	RESET
10	GND

Figure 6-2. CN2 Pin Layout

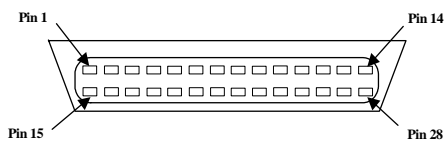
Reference) CN2

Part type name: HNC2-2.5P-10DSL

Manufacturer: Hirose

- 3) CN3: 28-pin connector (accepts Yokogawa Digital Computer)  
 Pin assignments of CN3 are shown in Table 6-5 and Figure 6-3.

Table 6-5. CN3 Pin Assignments



Pin No.	Signal Name	Pin No.	Signal Name
1	GND	15	GND
2	Vcc	16	-
3	-	17	-
4	-	18	-
5	RESET	19	CE
6	SCLK	20	-
7	-	21	GND
8	GND	22	-
9	-	23	EPM
10	-	24	BUSY
11	-	25	-
12	CNVss	26	-
13	RxD	27	TxD
14	GND	28	GND

Figure 6-3. CN3 Pin Layout

Reference) CN3

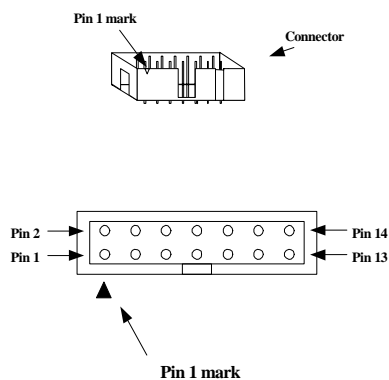
Part type name: DX10-28S

Manufacturer: Hirose

\* The above product is not available from Renesas.

- 4) CN4: 14-pin connector (accepts Renesas Technology)  
 Pin assignments of CN4 are shown in Table 6-6 and Figure 6-4.

Table 6-6. CN4 Pin Assignments



Pin No.	Signal Name
1	SCLK
2	GND
3	CNVSS
4	EPM
5	TxD
6	N.C
7	CE
8	Vcc
9	BUSY
10	N.C
11	RxD
12	N.C
13	RESET
14	GND

Figure 6-4. CN4 Pin Layout

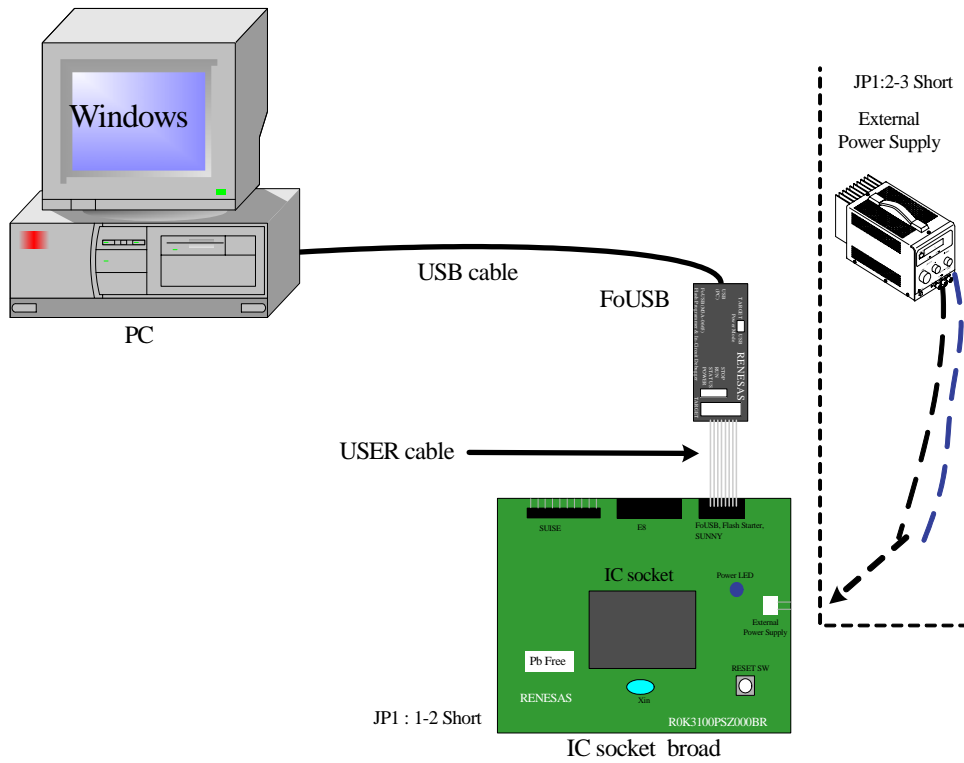
Reference) CN4

Part type name: XG4C-1434

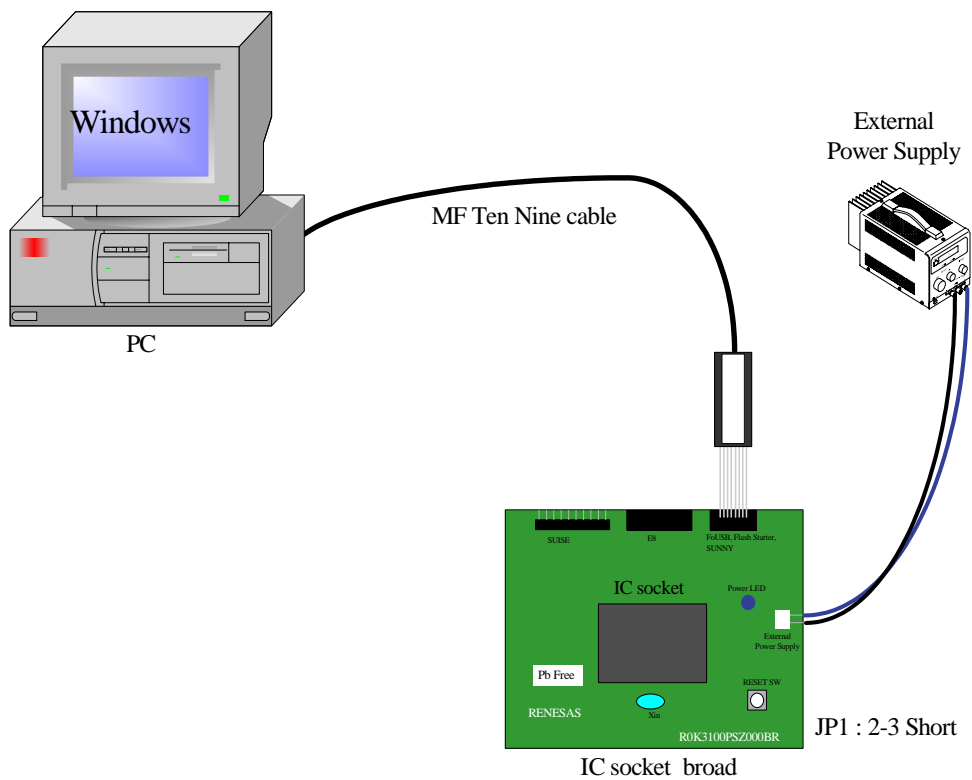
Manufacturer: Hirose

## 7. Connecting the Flash Programmer to the IC Socket Board

### 7.1. Connecting USB Flash Writer

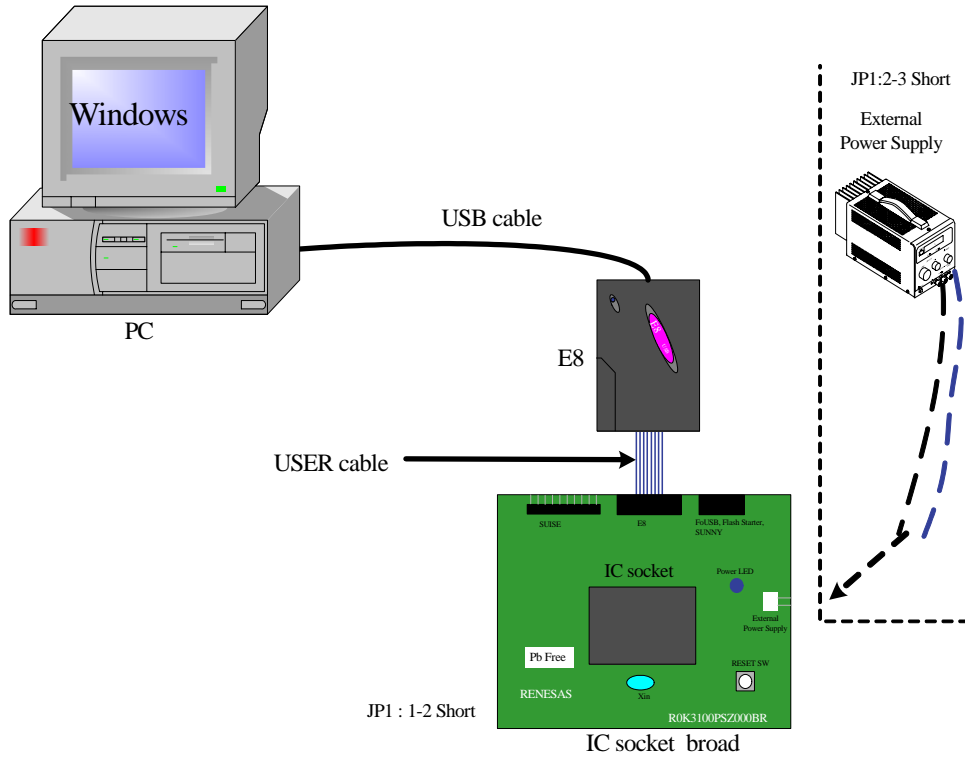


### 7.2. Connecting Flash Starter

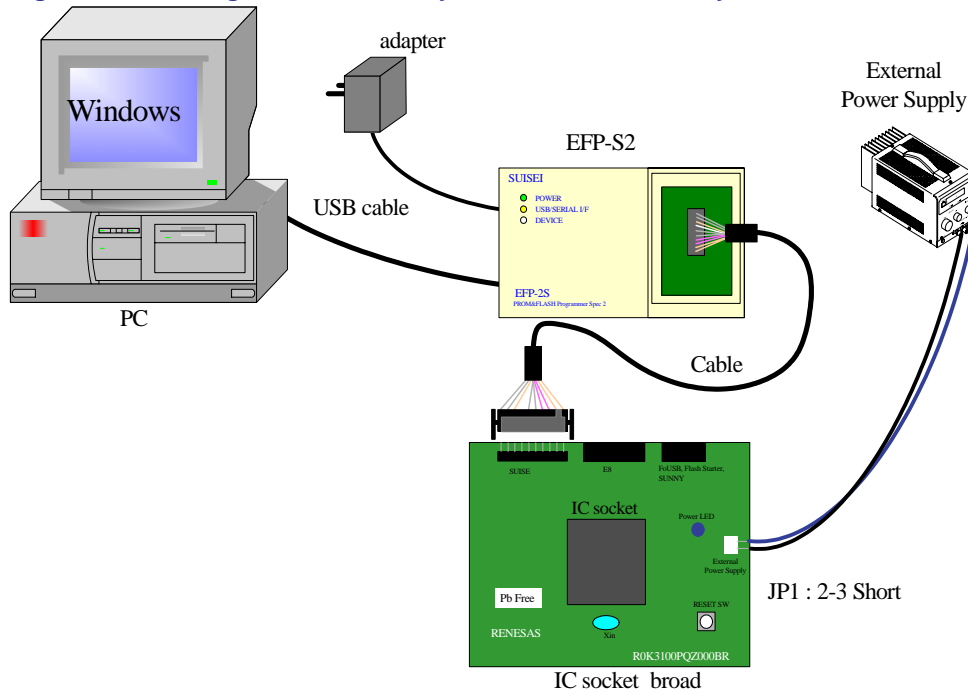




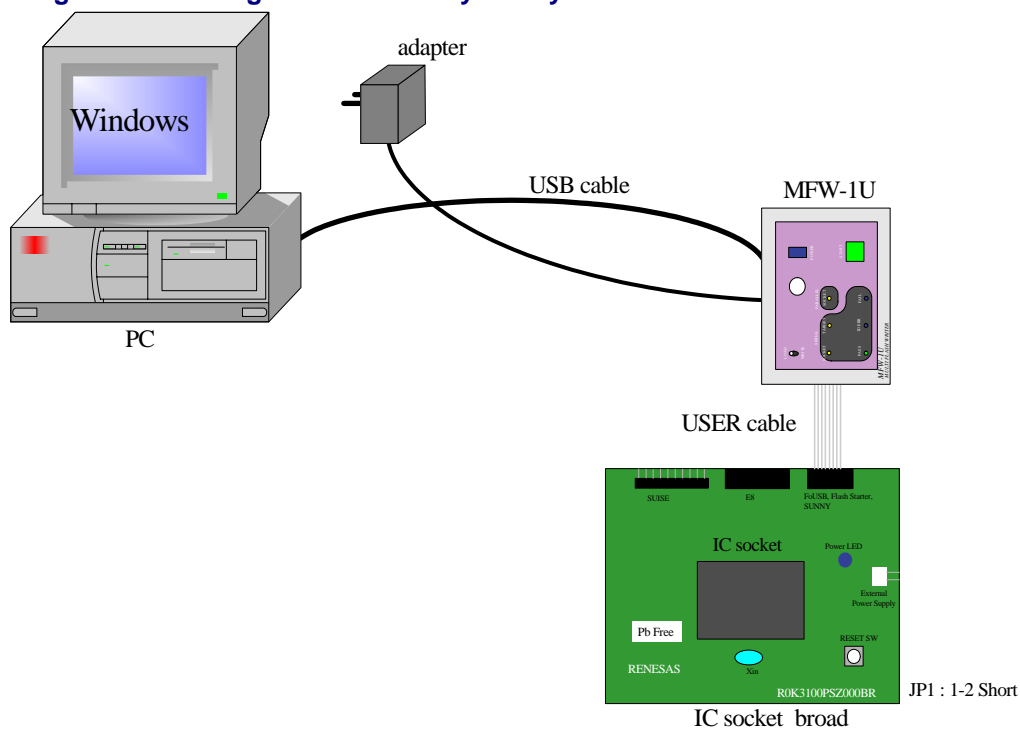
### 7.3. Connecting Flash Development Toolkit



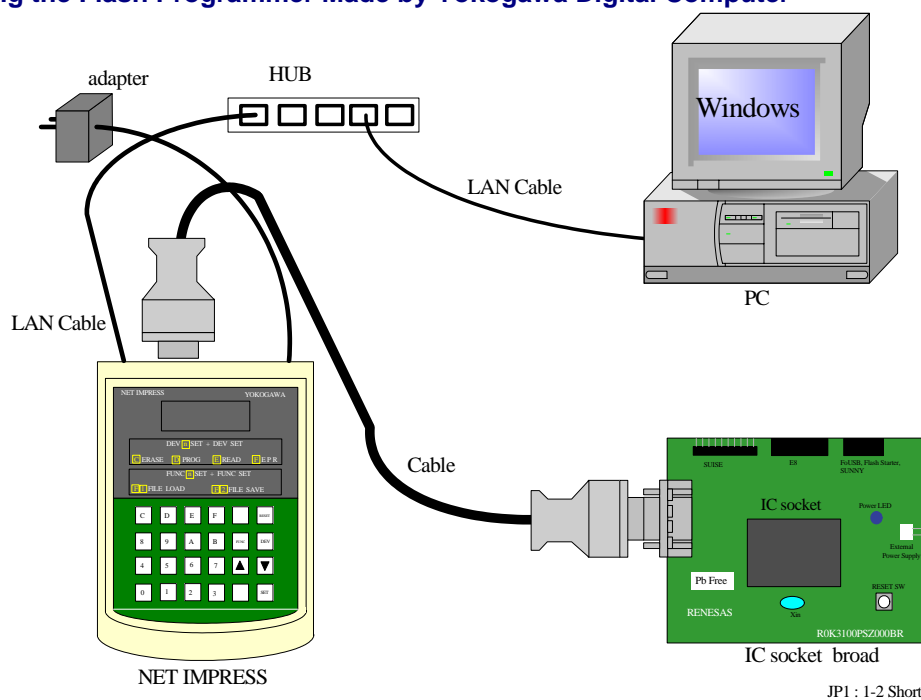
### 7.4. Connecting the Flash Programmer Made by Suissei Electronics System



## 7.5. Connecting the Flash Programmer Made by Sunny Giken



## 7.6. Connecting the Flash Programmer Made by Yokogawa Digital Computer



## 8. Using the Flash Programmer

For details on how to use the flash programmer, please refer to the user's manual or other documentation of your flash programmer.

## 9. Getting the Latest Information

To get the latest information on the IC socket board, visit the Renesas Web site given below.

URL address: <http://www.renesas.com/homepage.jsp>