




Technical Data of Ceramic Resonator

MURATA Part No.: CSTCE20M0V51-R0

Applied to HD64F38104H

TOYAMA MURATA MANUFACTURING CO., LTD.

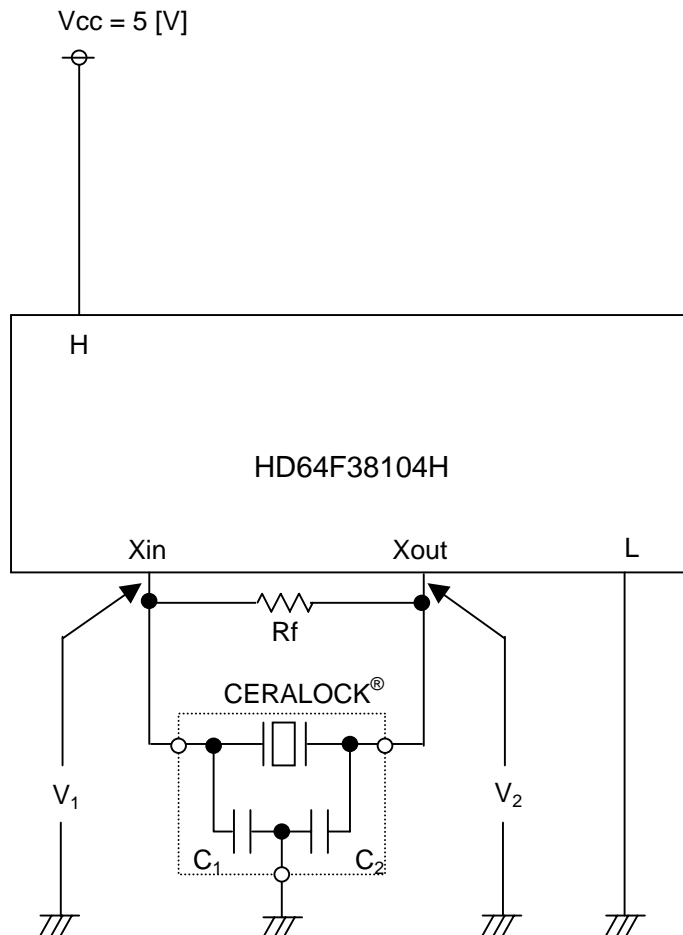
Product Engineering Service Section VI
Piezoelectric Planning & Market Promotion Department II
Piezoelectric Components Division
Device Business Unit

Approved by	Checked by	Issued by	Issued Date	Data No.
 K.Maruno	 R.Miyamae	 T.Morita	May 7, 2005	TCD-05-0499

Contents

1.	Test Circuit	1
2.	Temperature Characteristics of Oscillating Frequency, Oscillating Voltage	2
3.	Rise Time, Oscillating Frequency, Oscillating Voltage vs Vcc Characteristics	3

Test Circuit



Xin : 10
 Xout: 9
 H : 1,4,52
 L : 8,53

Recommended Value

CERALOCK[®] : CSTCE20M0V51-R0

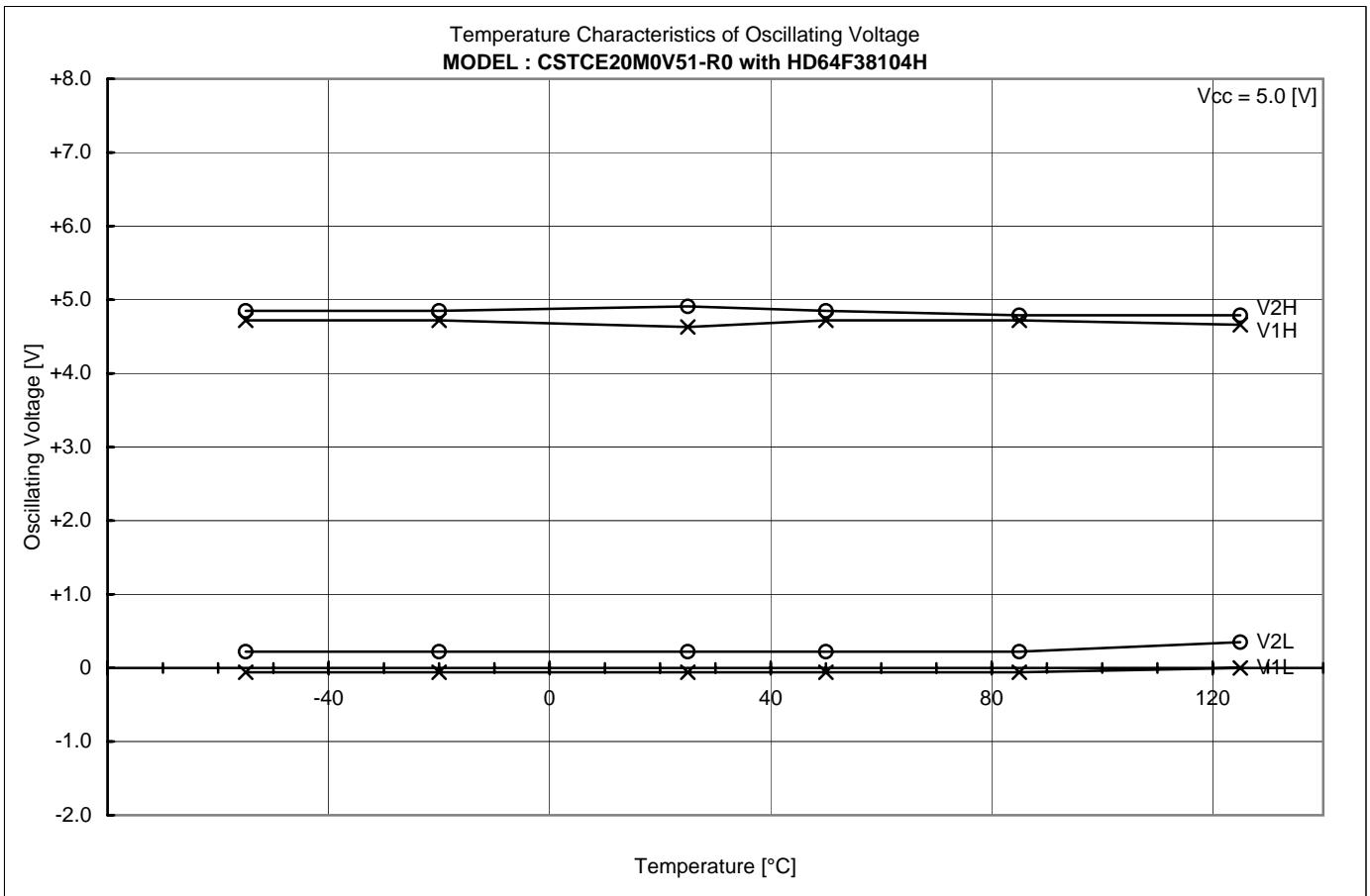
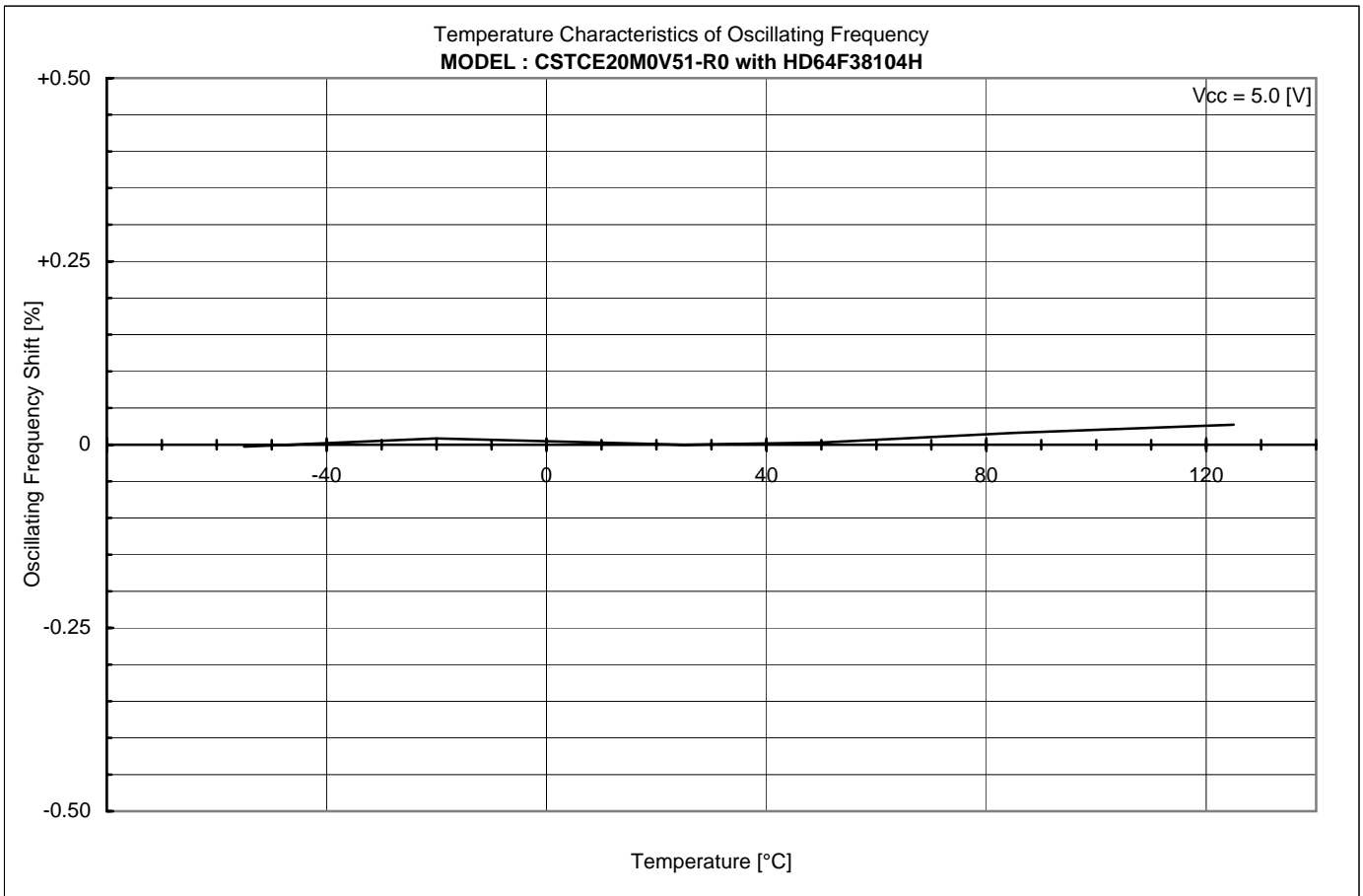
Vcc = 2.7 to 5.5 [V]

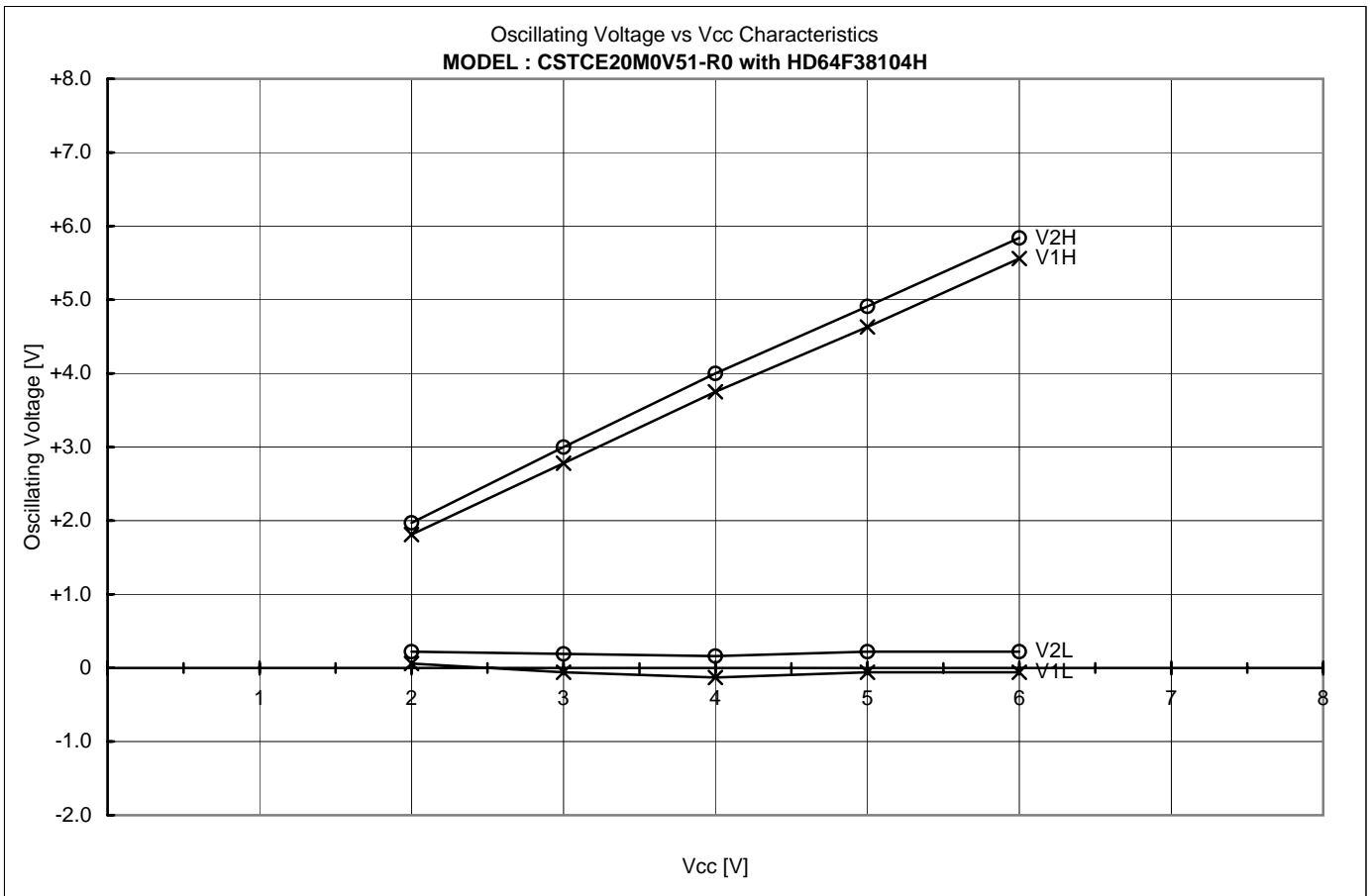
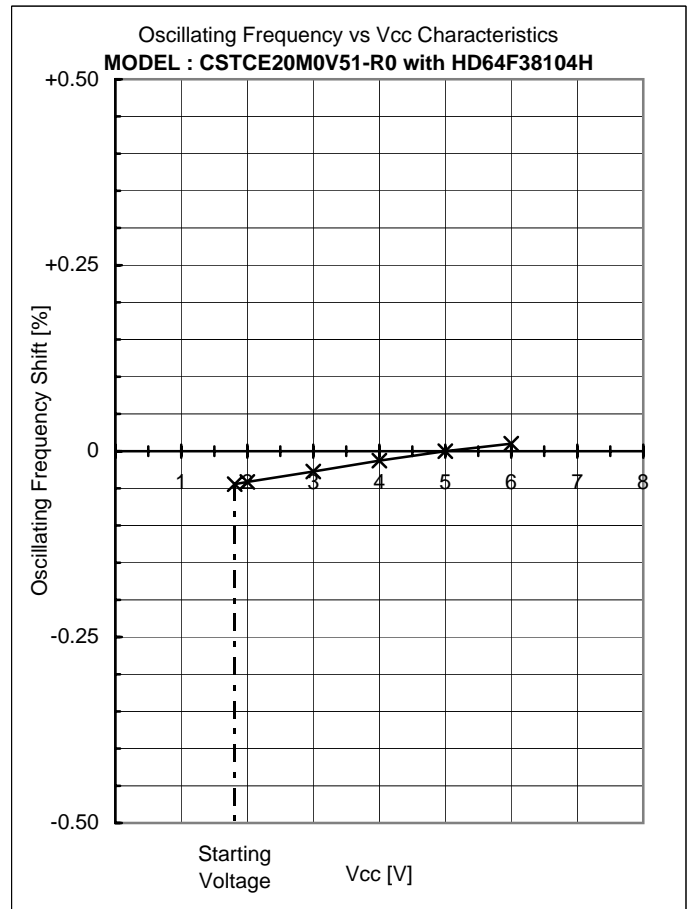
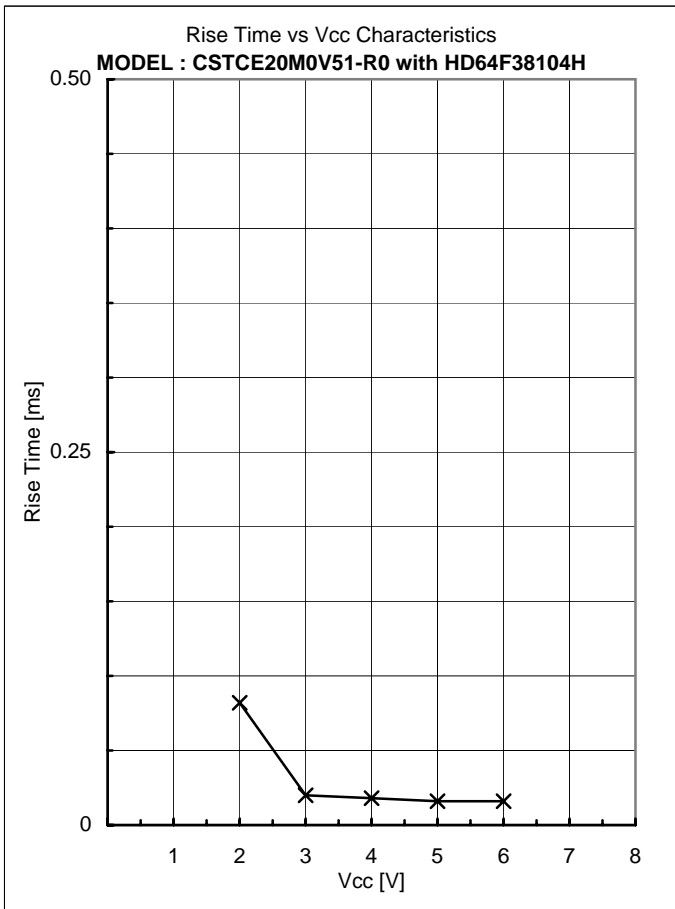
C1 = 5 [pF] (Typ.)

C2 = 5 [pF] (Typ.)

Rf = 1 [Mohm]

Ta = -40 to 85 [°C]





Appendixes

4. Comparison Table

4

Comparison Table

IC : No	V1H [V]	V1L [V]	V1p-p [V]	V2H [V]	V2L [V]	V2p-p [V]	Fosc [kHz]	Trise [ms]	Vstart [V]
なし	4.63	-0.06	4.69	4.91	0.22	4.69	20059.398	0.016	1.81
N高P低	4.38	4.28	0.10	4.91	4.81	0.10	20057.397	0.018	1.77
N低P高	4.63	-0.13	4.76	4.91	0.19	4.72	20062.126	0.016	1.87
SG太太	4.31	0.00	4.31	4.78	0.25	4.53	20060.718	0.017	1.85
SG細細	4.63	-0.03	4.66	5.03	0.22	4.81	20061.360	0.017	1.84

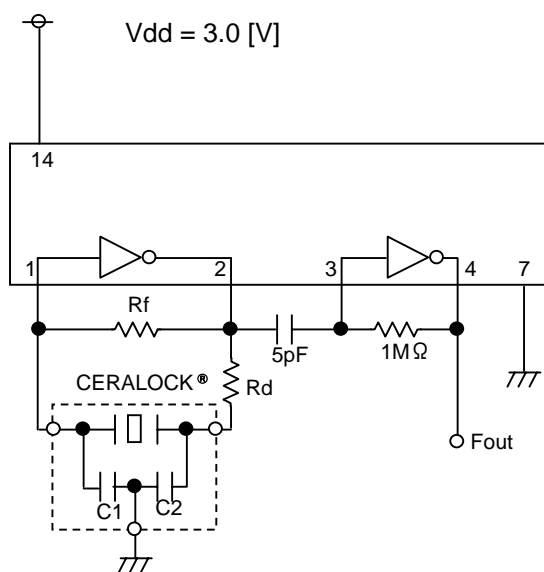
Ref.

Performance described page 2 to 3 were measured with IC No. なし

Frequency Correlation Data

Sample No.	HD64F38104H Fosc [kHz]	TC74HCU04AP Fosc [kHz]	Shift [%]
1	20058.132	20041.900	0.0810
2	20097.720	20080.700	0.0848
3	20091.670	20077.900	0.0686
4	20061.731	20048.900	0.0640
5	20080.832	20060.100	0.1034
\bar{X}	20078.017	20061.900	0.0803

muRata Standard Circuit



CERALOCK® : CSTCE20M0V51-R0

C1 = 5 [pF]

C2 = 5 [pF]

Rf = 1 [Mohm]

Rd = 68 [ohm]