




Technical Data of Ceramic Resonator

MURATA Part No.: CSTCE16M0V53-R0

Applied to HD64F38124H

TOYAMA MURATA MANUFACTURING CO., LTD.

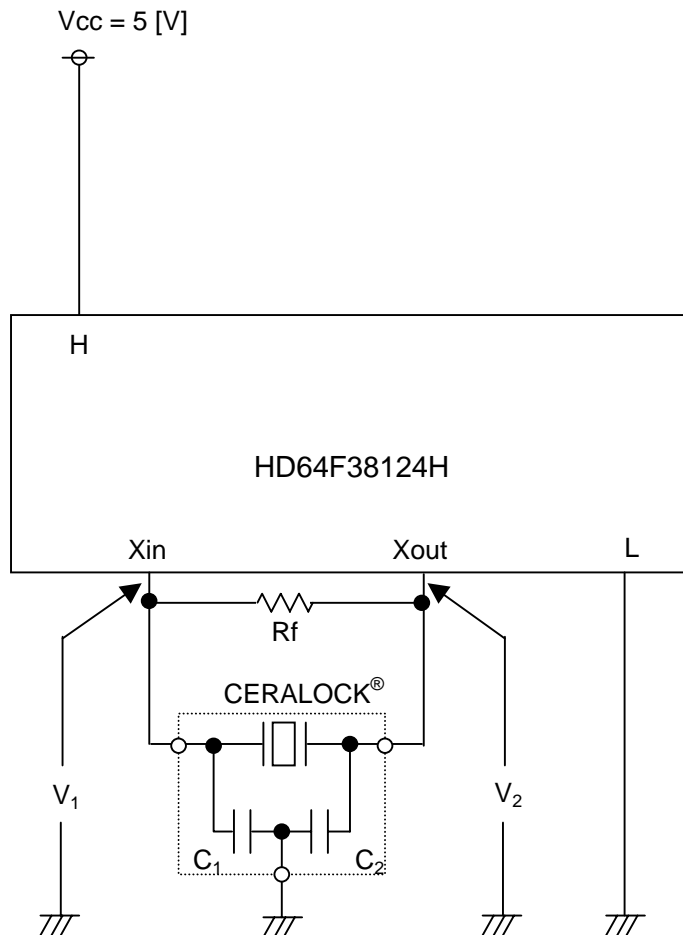
Product Engineering Service Section VI
Piezoelectric Planning & Market Promotion Department II
Piezoelectric Components Division
Device Business Unit

Approved by	Checked by	Issued by	Issued Date	Data No.
 K.Maruno	 R.Miyamae	 T.Morita	May 7, 2005	TCD-05-0488

Contents

1.	Test Circuit	1
2.	Temperature Characteristics of Oscillating Frequency, Oscillating Voltage	2
3.	Rise Time, Oscillating Frequency, Oscillating Voltage vs Vcc Characteristics	3

Test Circuit



Xin : 10
 Xout: 9
 H : 1,4,52
 L : 8,53

Recommended Value

CERALOCK[®] : CSTCE16M0V53-R0

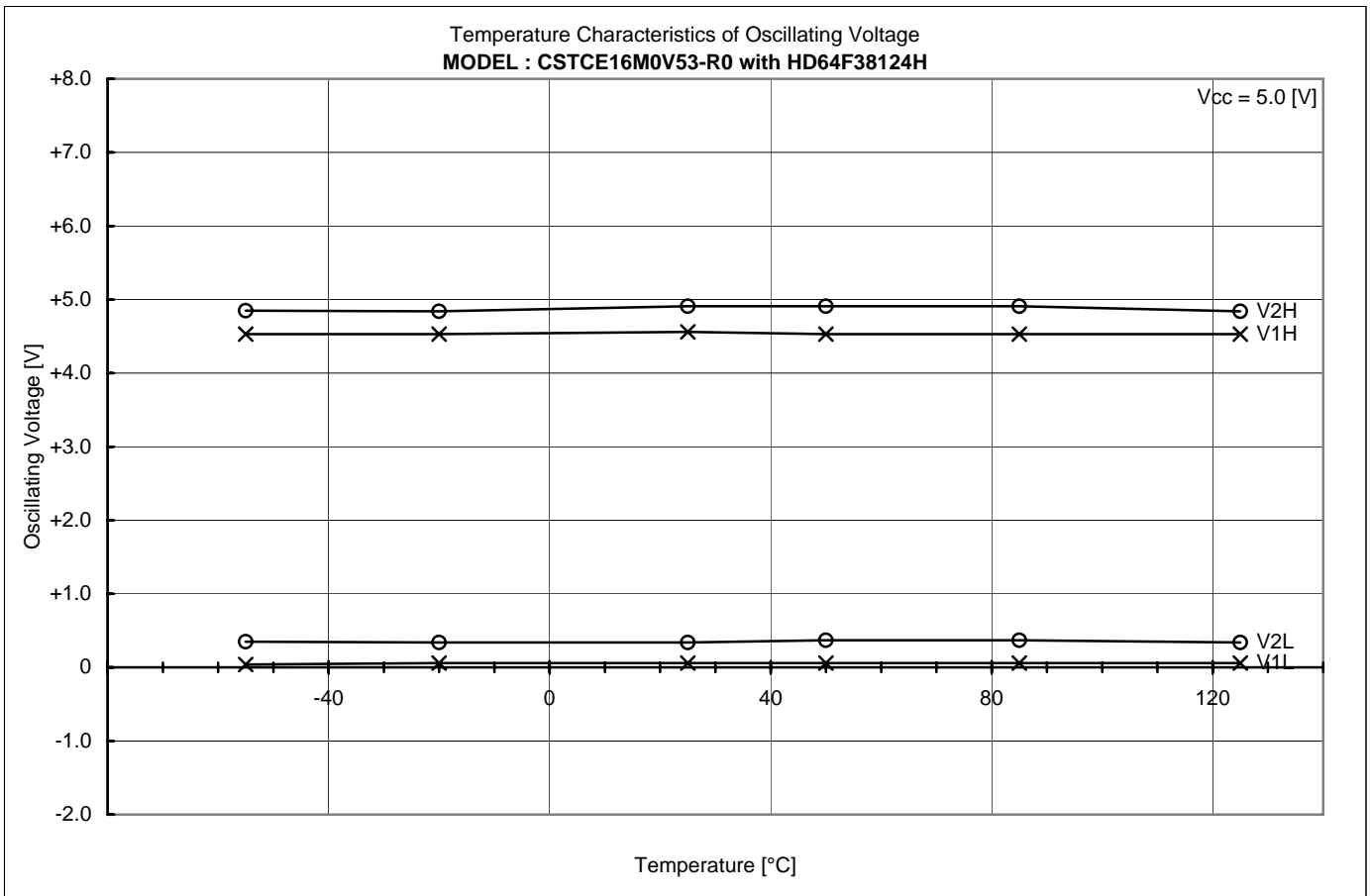
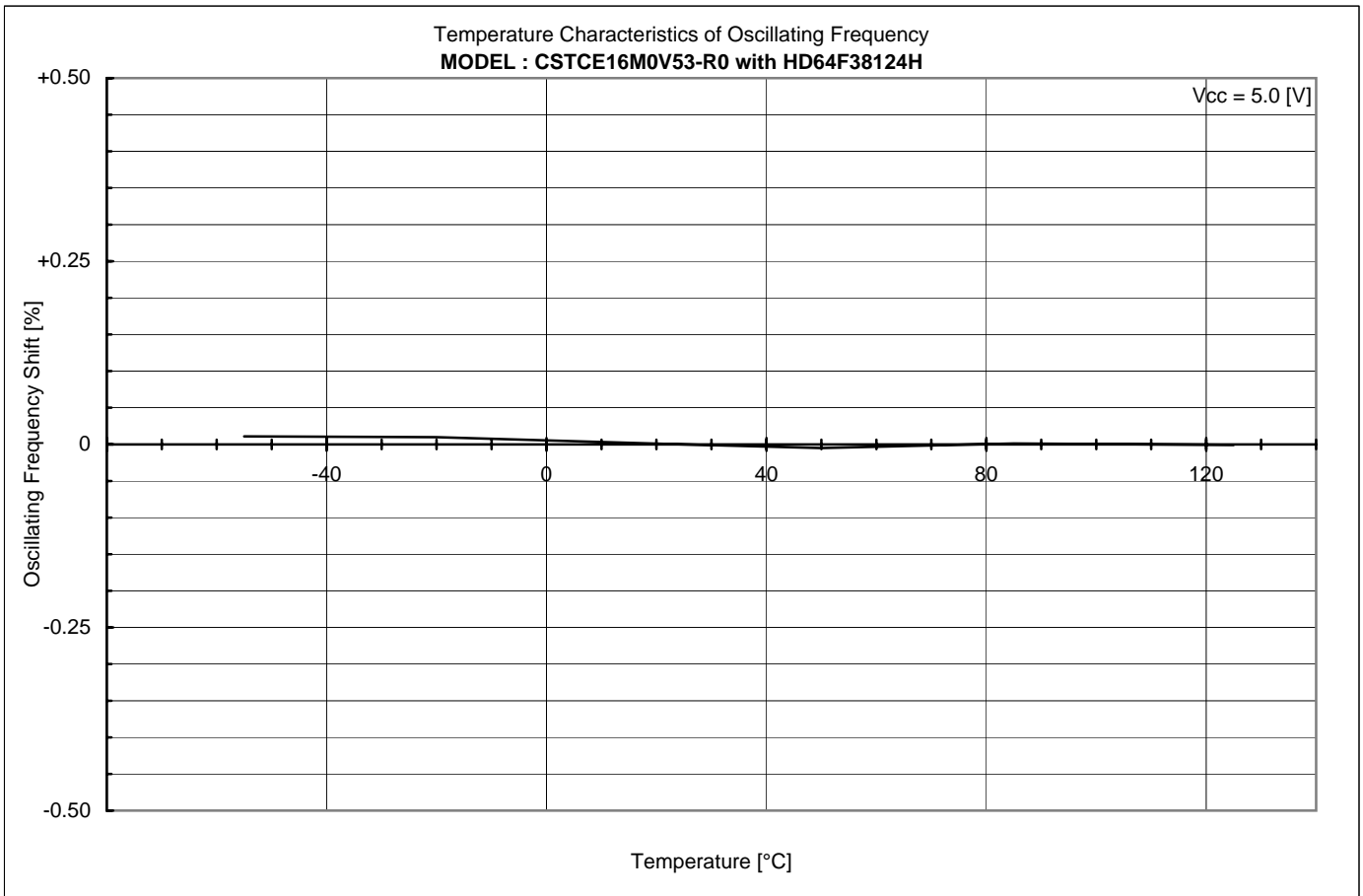
Vcc = 2.7 to 5.5 [V]

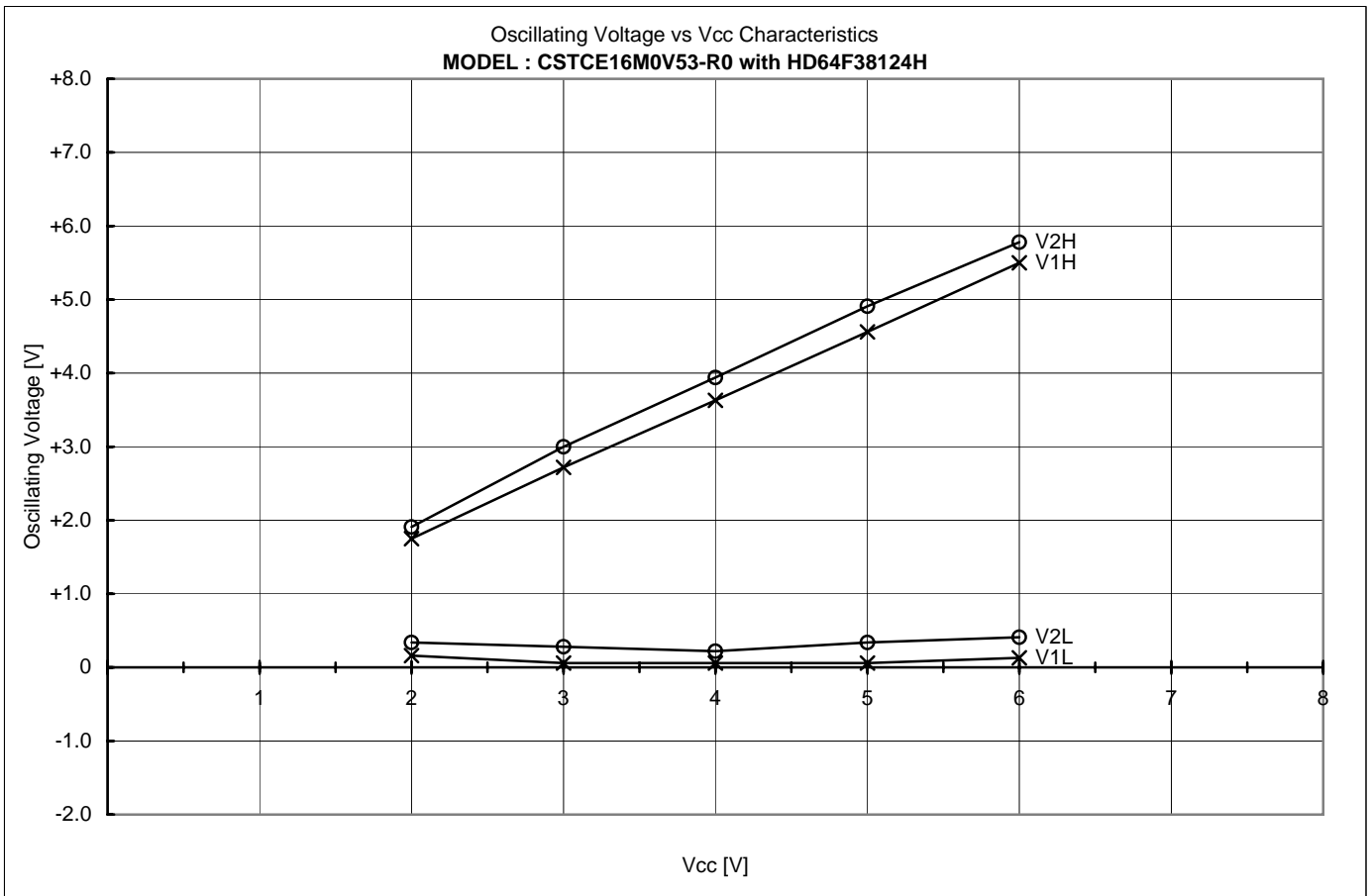
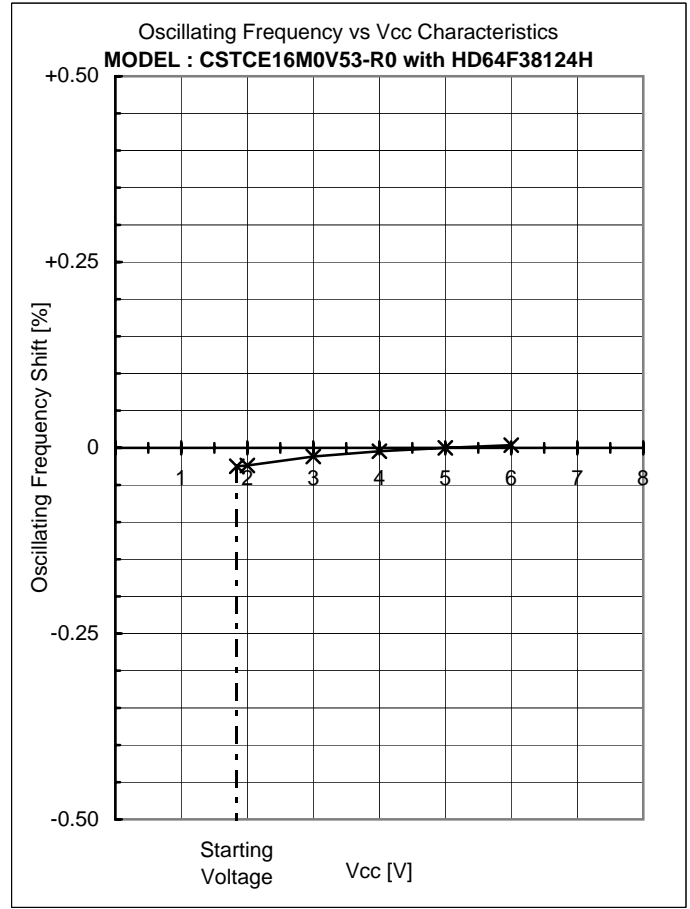
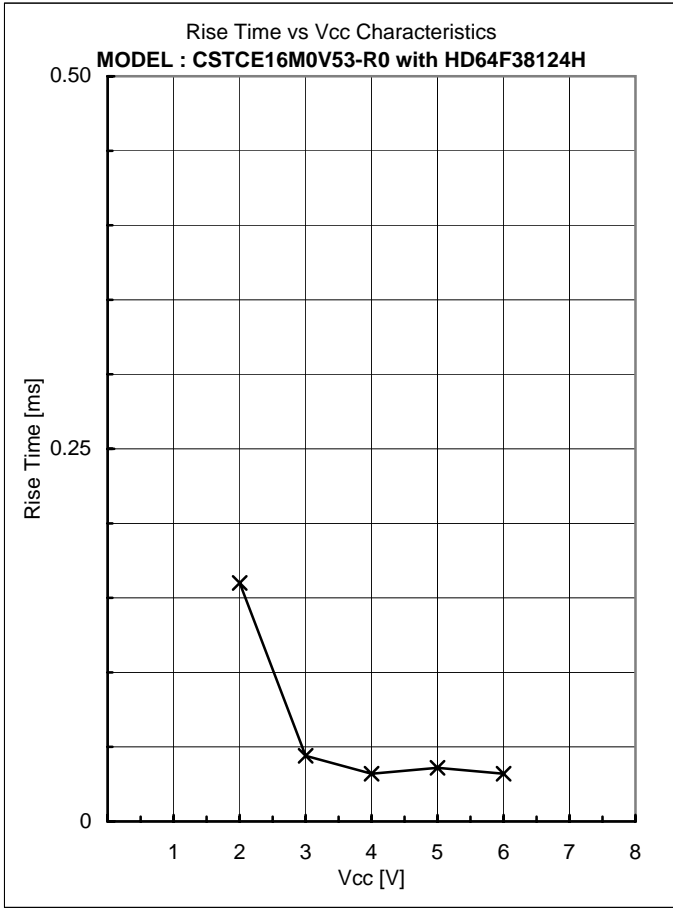
C1 = 15 [pF] (Typ.)

C2 = 15 [pF] (Typ.)

Rf = 1 [Mohm]

Ta = -40 to 85 [°C]





Appendixes

4. Comparison Table

4

Comparison Table

IC : No	V1H [V]	V1L [V]	V1p-p [V]	V2H [V]	V2L [V]	V2p-p [V]	Fosc [kHz]	Trise [ms]	Vstart [V]
なし	4.56	0.06	4.50	4.91	0.34	4.57	15991.684	0.036	1.84
N高P低	4.69	0.06	4.63	4.91	0.41	4.50	15992.261	0.041	1.80
N低P高	4.56	-0.07	4.63	4.84	0.28	4.56	15992.043	0.037	1.89
SG太太	4.06	0.02	4.04	4.41	0.34	4.07	15991.398	0.040	1.91
SG細細	4.56	-0.01	4.57	4.78	0.34	4.44	15992.119	0.038	1.89

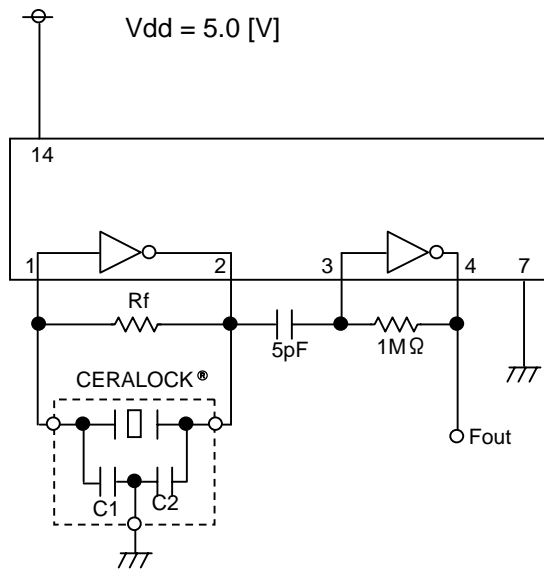
Ref.

Performance described page 2 to 3 were measured with IC No. なし

Frequency Correlation Data

Sample No.	HD64F38124H Fosc [kHz]	TC74HCU04AP Fosc [kHz]	Shift [%]
1	15991.868	15977.300	0.0912
2	15980.951	15973.200	0.0485
3	15979.908	15967.500	0.0777
4	15989.693	15977.800	0.0744
5	15993.326	15984.600	0.0546
\bar{X}	15987.149	15976.080	0.0693

muRata Standard Circuit



CERALOCK® : CSTCE16M0V53-R0

C1 = 15 [pF]

C2 = 15 [pF]

Rf = 1 [Mohm]