

Technical Data of Ceramic Resonator

MURATA Part No.: CSTCE12M0G15A()-R0

Applied to HD6437049

Note: Suffix indicates packaging style.

·Lead type

-A0 : Flat pack package(Ho=18mm)

-B0 : Bulk

·SMD type

-R0 : Plastic tape package(\varnothing =180mm)





-B0 : Bulk

TOYAMA MURATA MANUFACTURING CO., LTD.

Product Engineering Service Section I

Planning Department

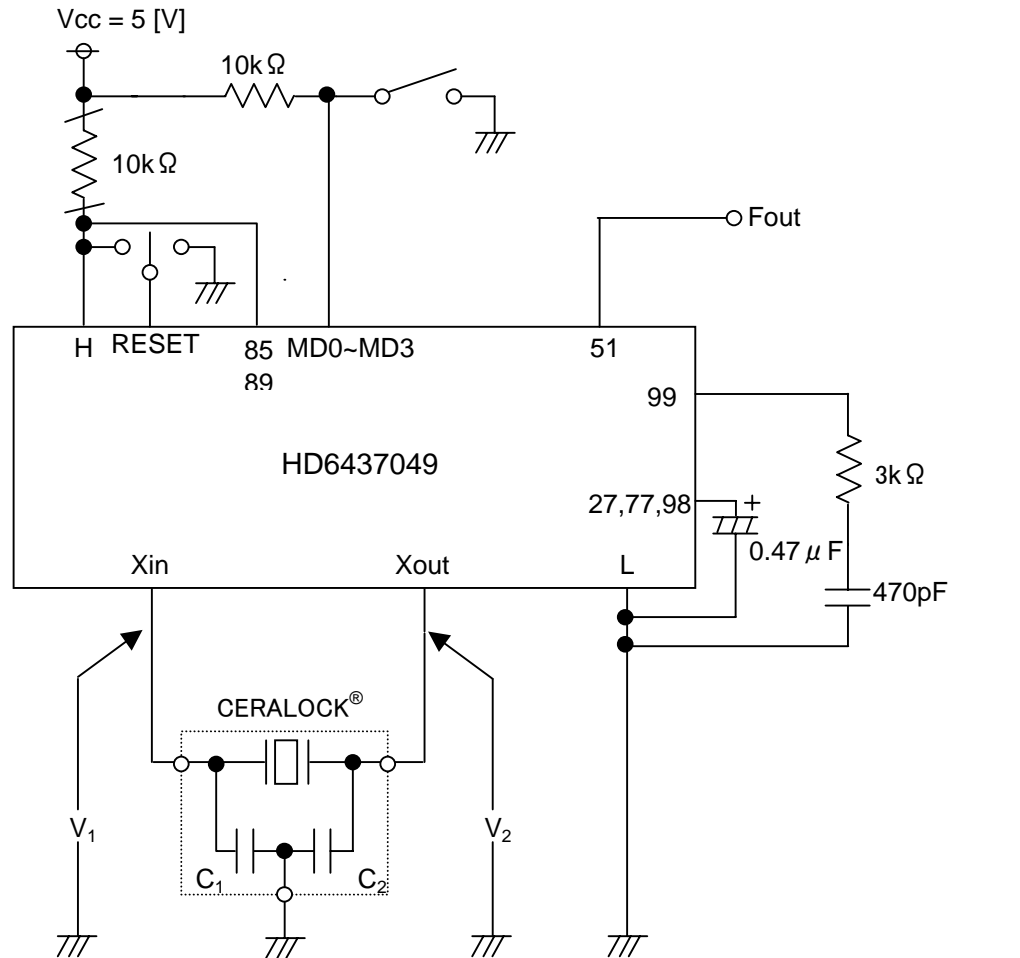
Piezoelectric Components Group

Approved by	Checked by	Checked by	Issued by	Issued Date	Data No.
 K. Kuramoto	 K. Maruno	 K. Masaki	 K. Tagata	Nov 15, 2002	TCD-02-2138

Contents

1.	Test Circuit	1
2.	Temperature Characteristics of Oscillating Frequency, Oscillating Voltage	2
3.	Rise Time, Oscillating Frequency, Oscillating Voltage vs Vdd Characteristics	3

Test Circuit



RESET : 87(L)

MD0 : 95(L)

MD1 : 94(L)

MD2 : 93(L)

MD3 : 91(L)

Xin : 96

Xout: 97

H : 11,15,16,33,46,53,72,83,84

L : 13,29~32,34~45,47~50,74,82,100

Recommended Value

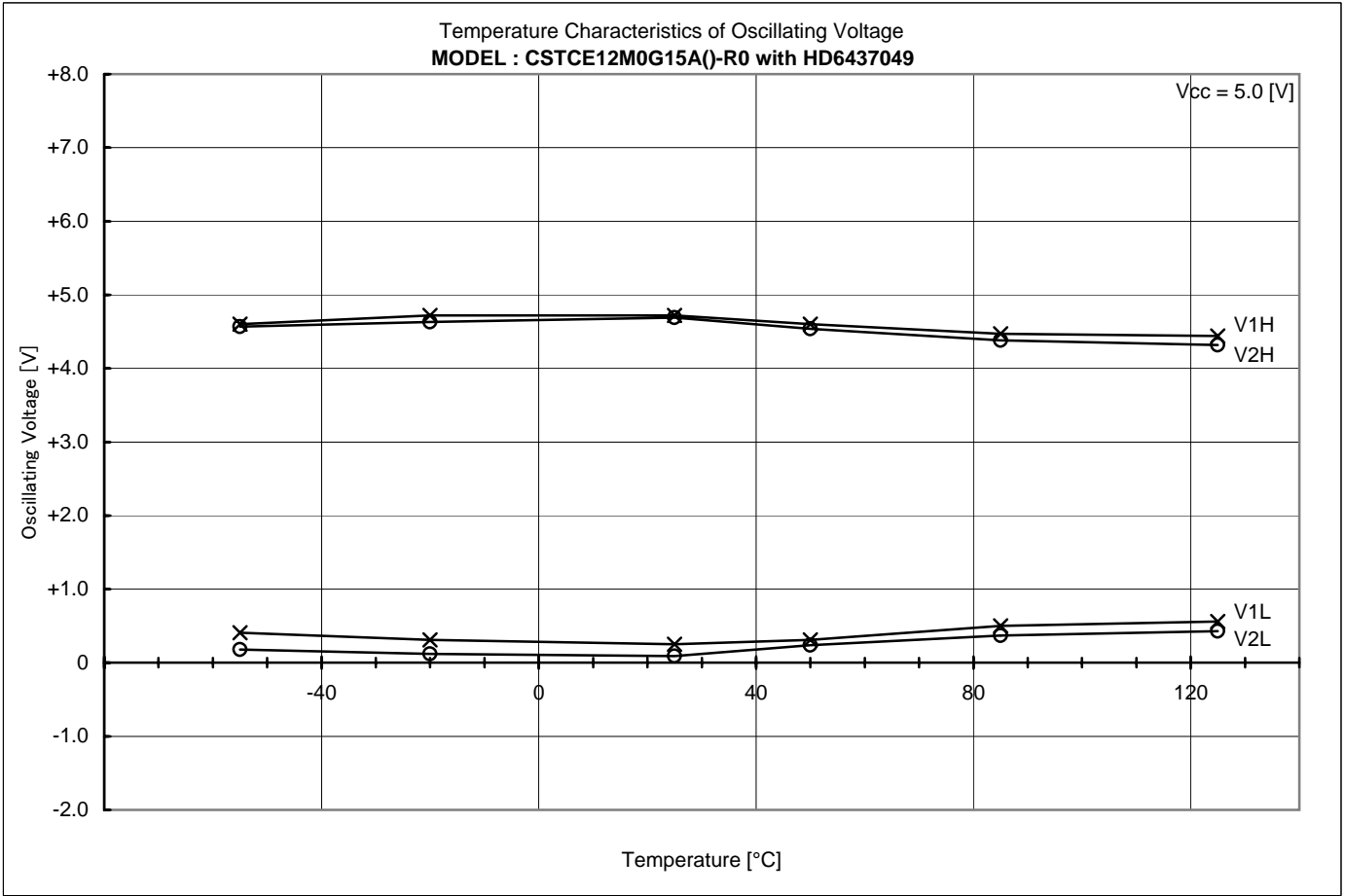
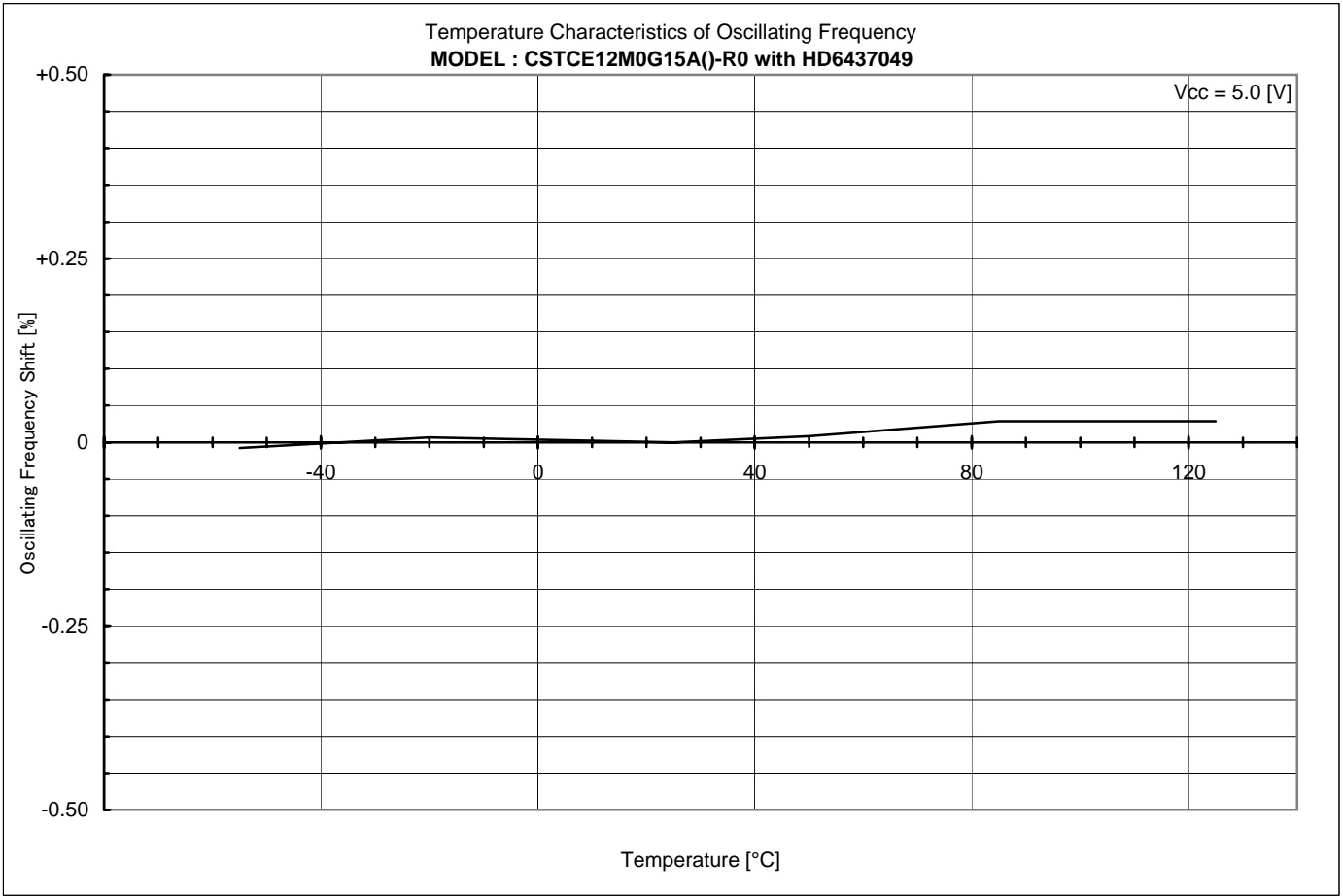
CERALOCK® : CSTCE12M0G15A()-R0

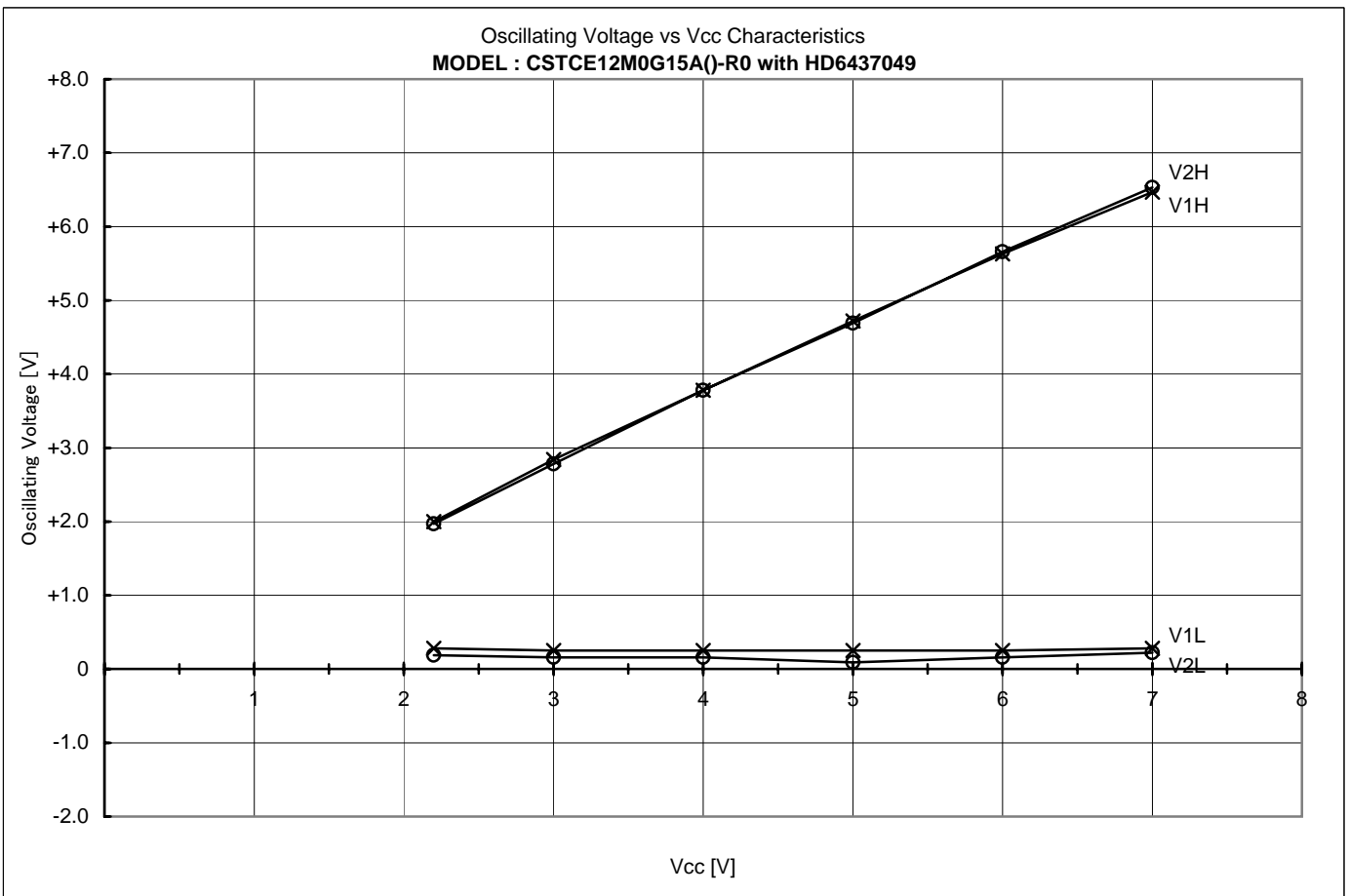
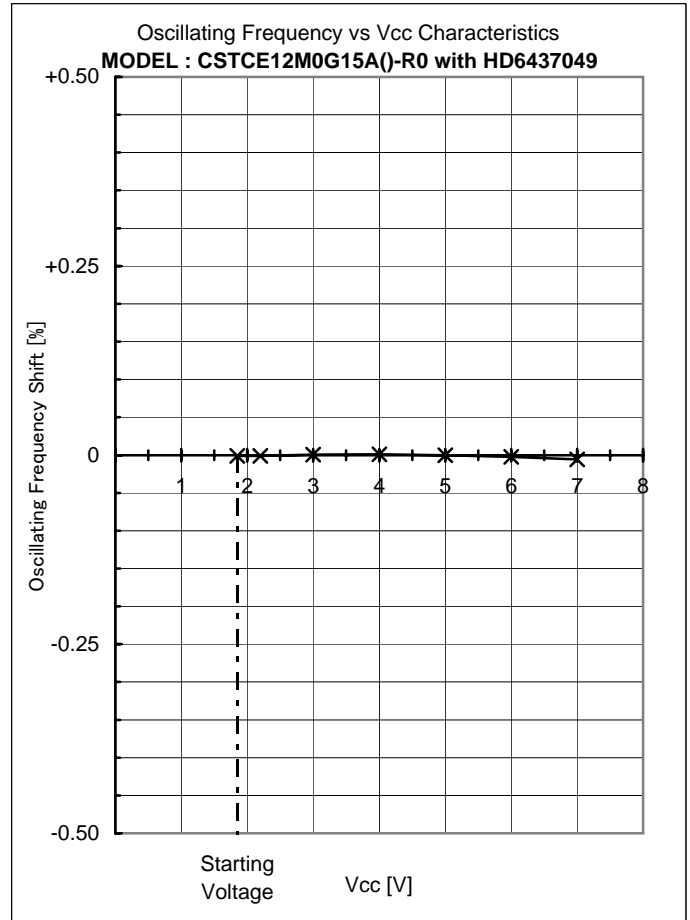
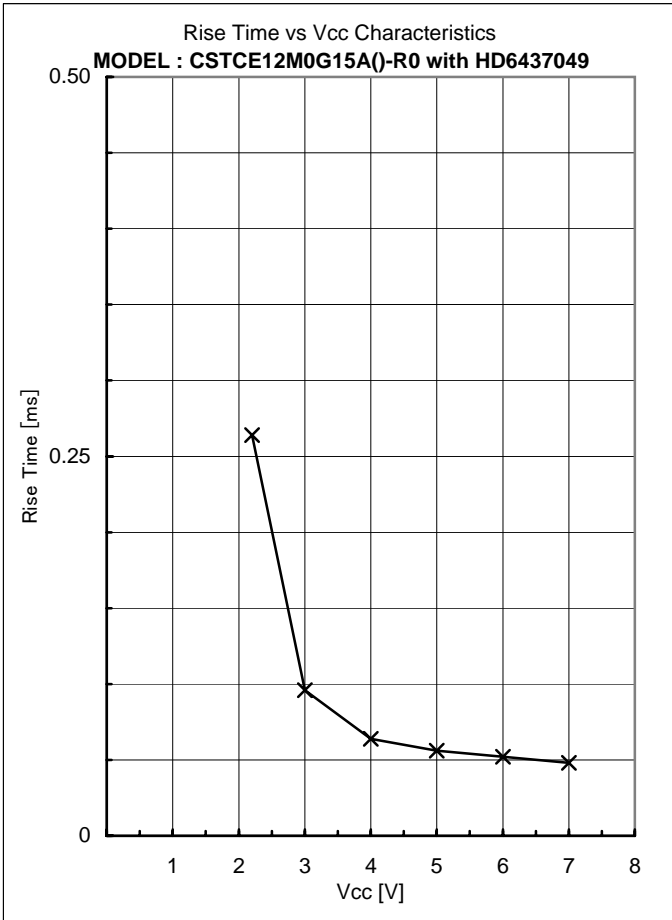
Vcc = 4.0 to 5.5 [V]

C1 = 33 [pF] (Typ.)

C2 = 33 [pF] (Typ.)

Ta = -40 to 85 [°C]





Appendixes

4.	Comparison Table	4
5.	Frequency Correlation Data	5

Comparison Table

IC : No	V1H [V]	V1L [V]	V1p-p [V]	V2H [V]	V2L [V]	V2p-p [V]	Fosc [kHz]	Trise [ms]	Vstart [V]
006	4.69	0.25	4.44	4.66	0.09	4.57	11996.176	0.062	1.88
007	4.69	0.28	4.41	4.69	0.09	4.60	11996.423	0.059	1.89
008	4.72	0.25	4.47	4.69	0.09	4.60	11996.379	0.058	1.85

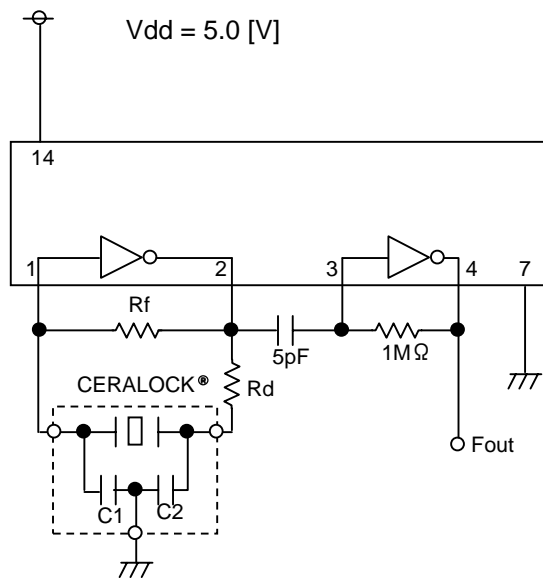
Ref.

Performance described page 2 to 3 were measured with IC No. 008

Frequency Correlation Data

Sample No.	HD6437049 Fosc [kHz]	TC74HCU04AP Fosc [kHz]	Shift [%]
1	12001.043	12018.500	-0.1453
2	11995.357	12011.700	-0.1361
3	11998.892	12016.100	-0.1432
4	11961.938	11980.100	-0.1516
5	12002.235	12018.900	-0.1387
-			
X	11991.893	12009.060	-0.1430

muRata Standard Circuit



CERALOCK® : CSTCE12M0G15A()-R0

C1 = 33 [pF]

C2 = 33 [pF]

Rf = 1 [Mohm]

Rd = 330 [ohm]