

Technical Data of Ceramic Resonator

MURATA Part No.: CSTCE8M00G15A()-R0

Applied to HD6437049

Note: Suffix indicates packaging style.

·Lead type

-A0 : Flat pack package(Ho=18mm)

-B0 : Bulk

·SMD type

-R0 : Plastic tape package(Ø=180mm)





-B0 : Bulk

**TOYAMA MURATA MANUFACTURING CO., LTD.**

Product Engineering Service Section I

Planning Department

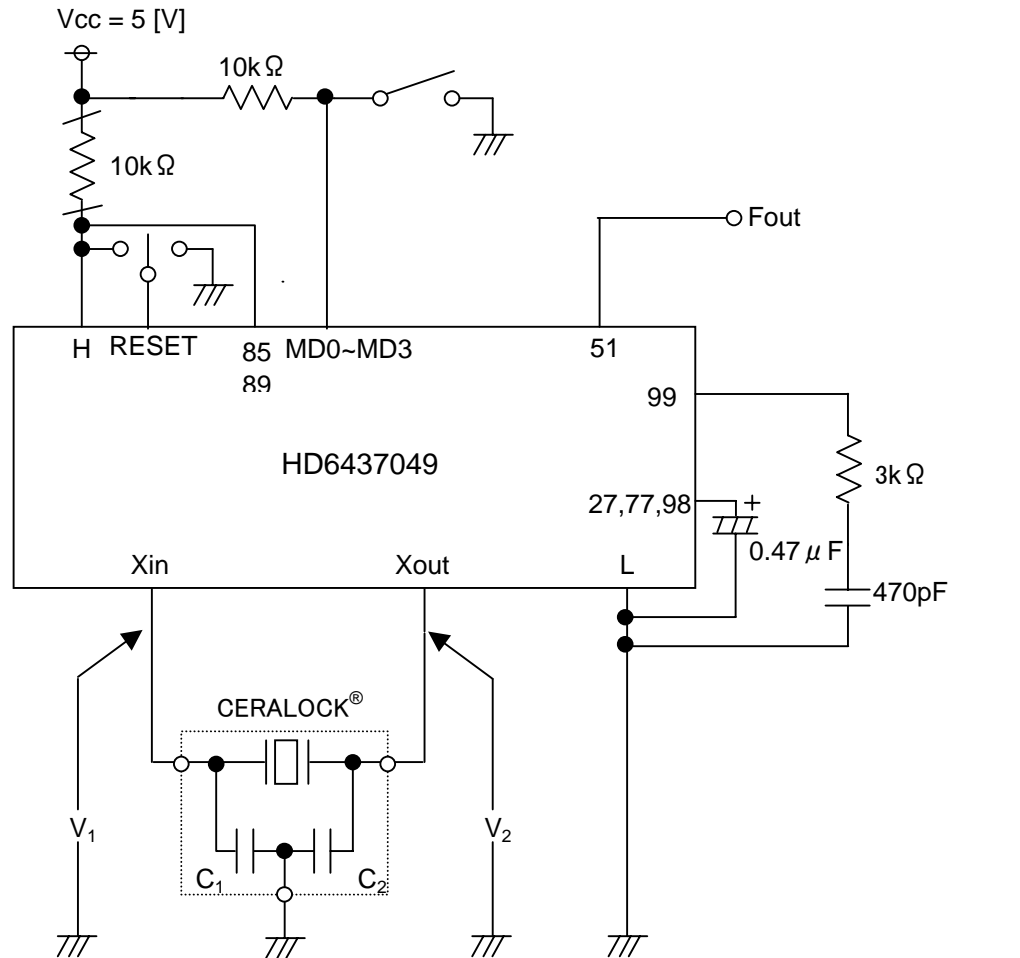
Piezoelectric Components Group

Approved by	Checked by	Checked by	Issued by	Issued Date	Data No.
 K. Kuramoto	 K. Maruno	 K. Masaki	 K. Tagata	Nov 15, 2002	TCD-02-2136

## Contents

1.	Test Circuit	1
2.	Temperature Characteristics of Oscillating Frequency, Oscillating Voltage	2
3.	Rise Time, Oscillating Frequency, Oscillating Voltage vs Vcc Characteristics	3

## Test Circuit



RESET : 87(L)

MD0 : 95(L)

MD1 : 94(L)

MD2 : 93(L)

MD3 : 91(L)

Xin : 96

Xout: 97

H : 11,15,16,33,46,53,72,83,84

L : 13,29~32,34~45,47~50,74,82,100

## Recommended Value

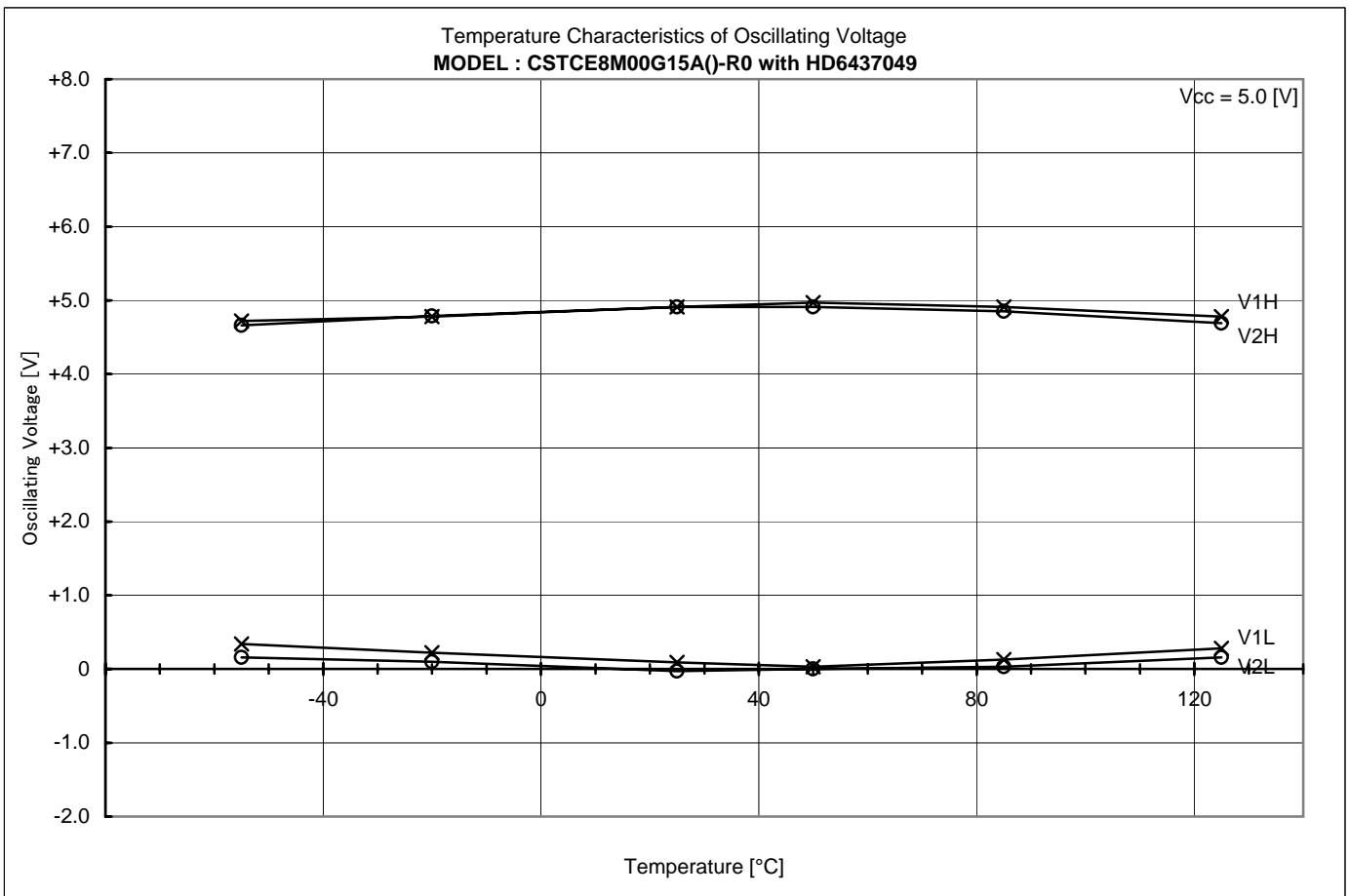
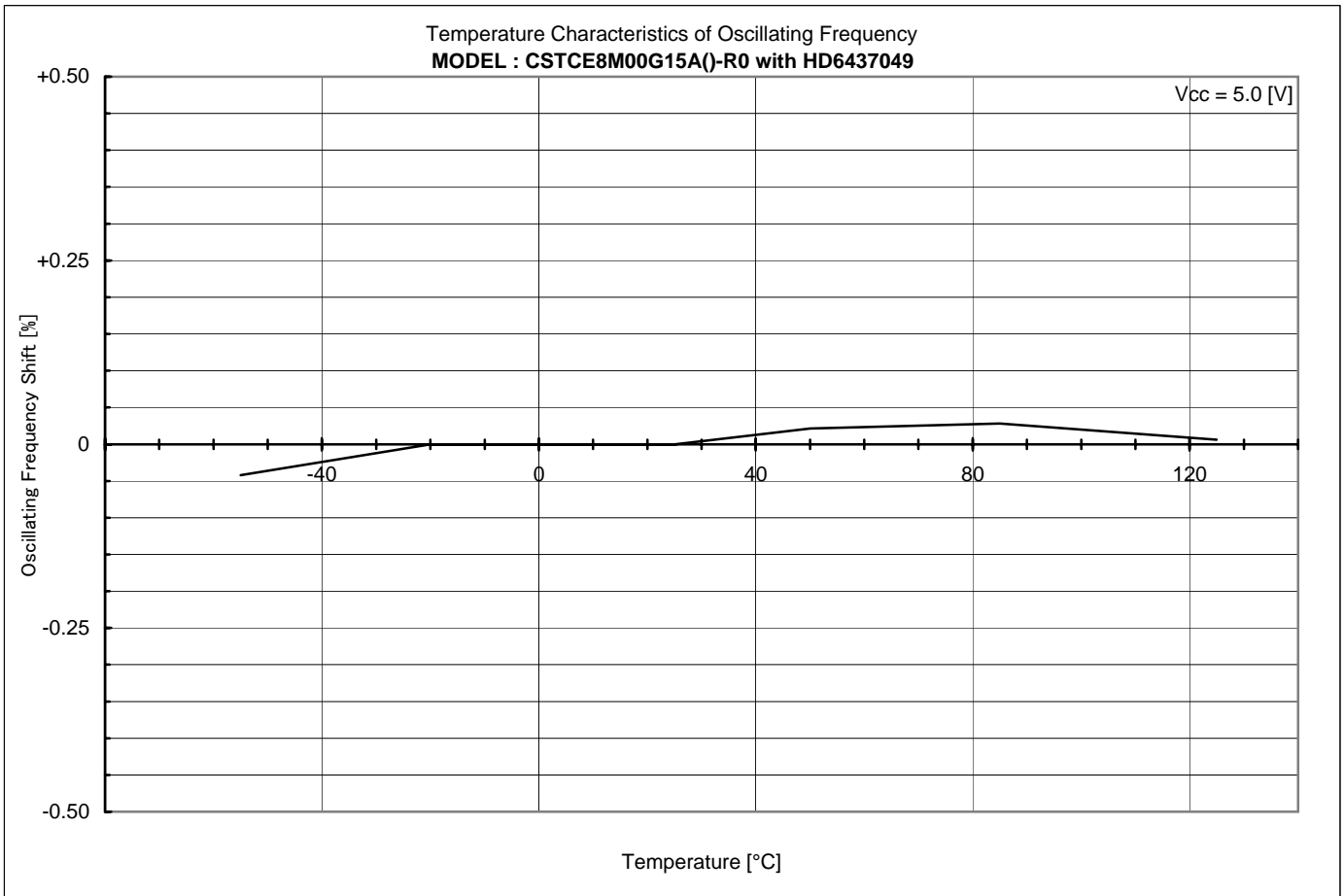
CERALOCK® : CSTCE8M00G15A()-R0

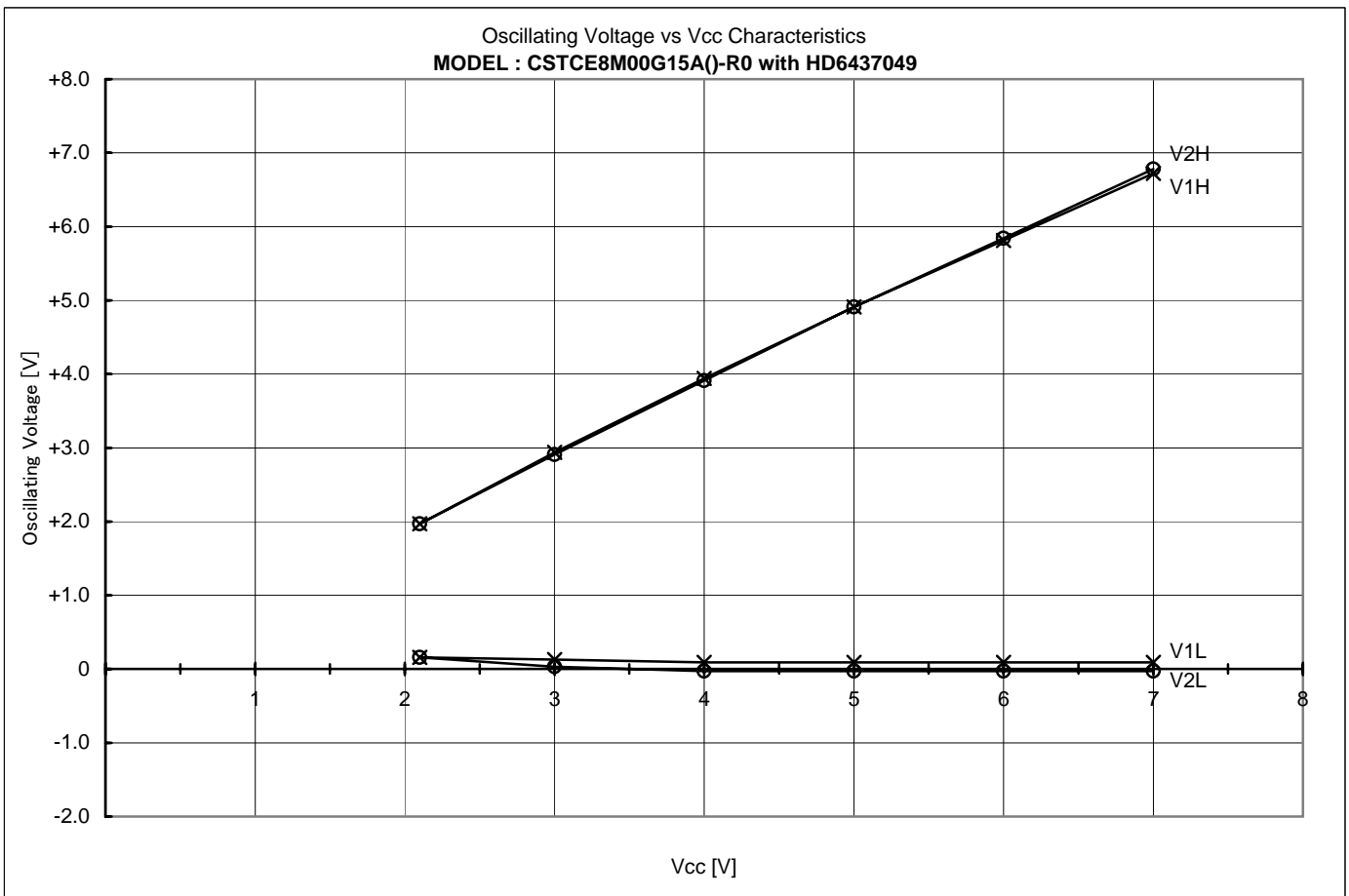
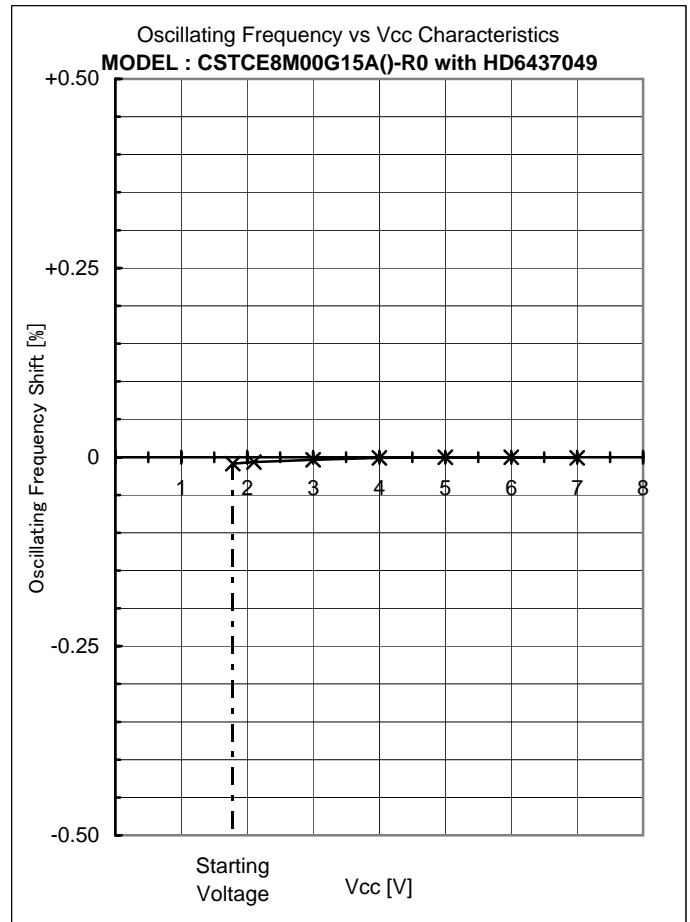
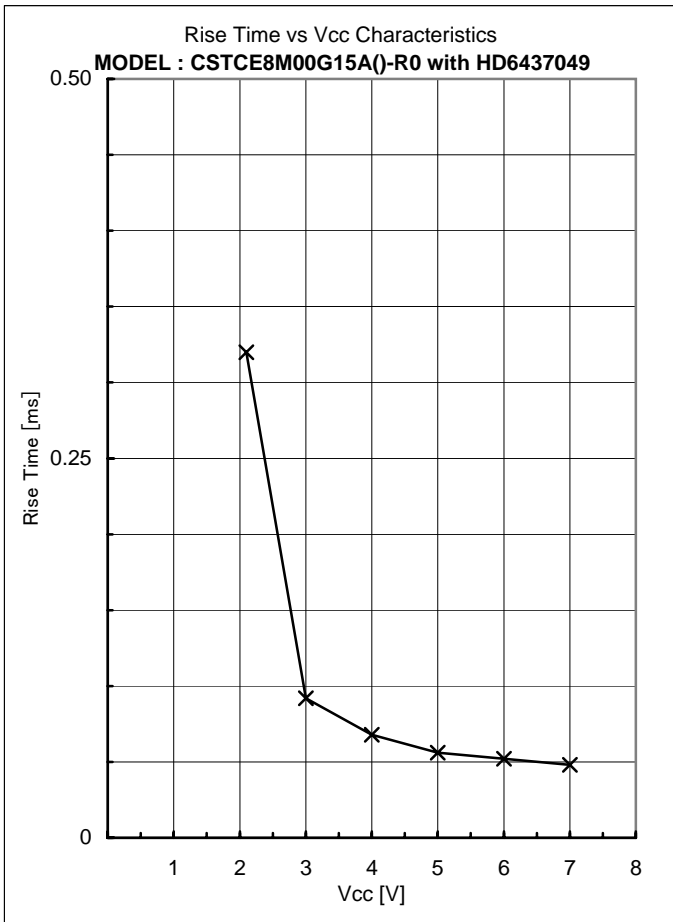
Vcc = 4.0 to 5.5 [V]

C1 = 33 [pF] (Typ.)

C2 = 33 [pF] (Typ.)

Ta = -40 to 85 [°C]







## Appendixes

4.	Comparison Table	4
5.	Frequency Correlation Data	5

**Comparison Table**

IC : No	V1H [V]	V1L [V]	V1p-p [V]	V2H [V]	V2L [V]	V2p-p [V]	Fosc [kHz]	Trise [ms]	Vstart [V]
006	4.91	0.12	4.79	4.84	-0.03	4.87	7994.042	0.061	1.82
007	4.88	0.16	4.72	4.91	0.03	4.88	7994.124	0.061	1.81
008	4.91	0.09	4.82	4.91	-0.03	4.94	7994.164	0.058	1.78

Ref.

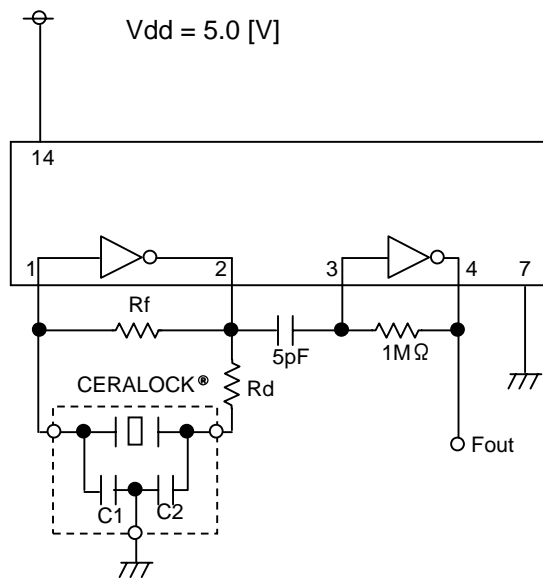
Performance described page 2 to 3 were measured with IC No. 008



### Frequency Correlation Data

Sample No.	HD6437049 Fosc [kHz]	TC74HCU04AP Fosc [kHz]	Shift [%]
1	7997.241	8008.700	-0.1431
2	7996.651	8008.400	-0.1467
3	7997.261	8008.900	-0.1453
4	7981.512	7992.600	-0.1387
5	7997.228	8008.700	-0.1432
-			
X	7993.978	8005.460	-0.1434

### muRata Standard Circuit



CERALOCK® : CSTCE8M00G15A()-R0

C1 = 33 [pF]

C2 = 33 [pF]

Rf = 1 [Mohm]

Rd = 330 [ohm]