

Technical Data of Ceramic Resonator

MURATA Part No.: CSTCR4M00G53-R0

Applied to HD6437048

Note: Suffix indicates packaging style.

·Lead type

-A0 : Flat pack package(Ho=18mm)

-B0 : Bulk

·SMD type

-R0 : Plastic tape package(\varnothing =180mm)





-B0 : Bulk

TOYAMA MURATA MANUFACTURING CO., LTD.

Product Engineering Service Section I

Planning Department

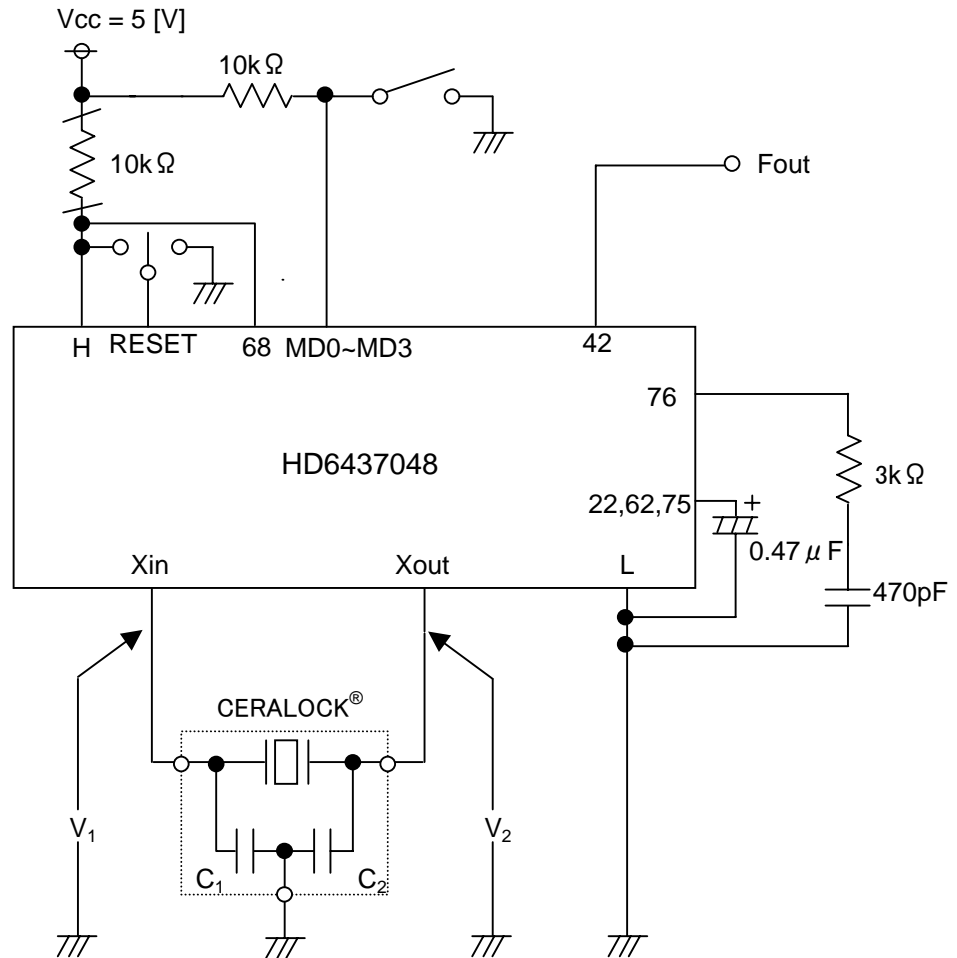
Piezoelectric Components Group

Approved by	Checked by	Checked by	Issued by	Issued Date	Data No.
 K. Kuramoto	 K. Maruno	 K. Masaki	 K. Tagata	Nov 15, 2002	TCD-02-2125

Contents

1.	Test Circuit	1
2.	Temperature Characteristics of Oscillating Frequency, Oscillating Voltage	2
3.	Rise Time, Oscillating Frequency, Oscillating Voltage vs Vcc Characteristics	3

Test Circuit



RESET : 67(H)

MD0 : 72(H)

MD1 : 71(H)

MD2 : 70(H)

MD3 : 69(L)

Xin : 73

Xout: 74

H : 11,27,38,43,65,66

L : 9,24~26,28~37,39~41,64,77

Recommended Value

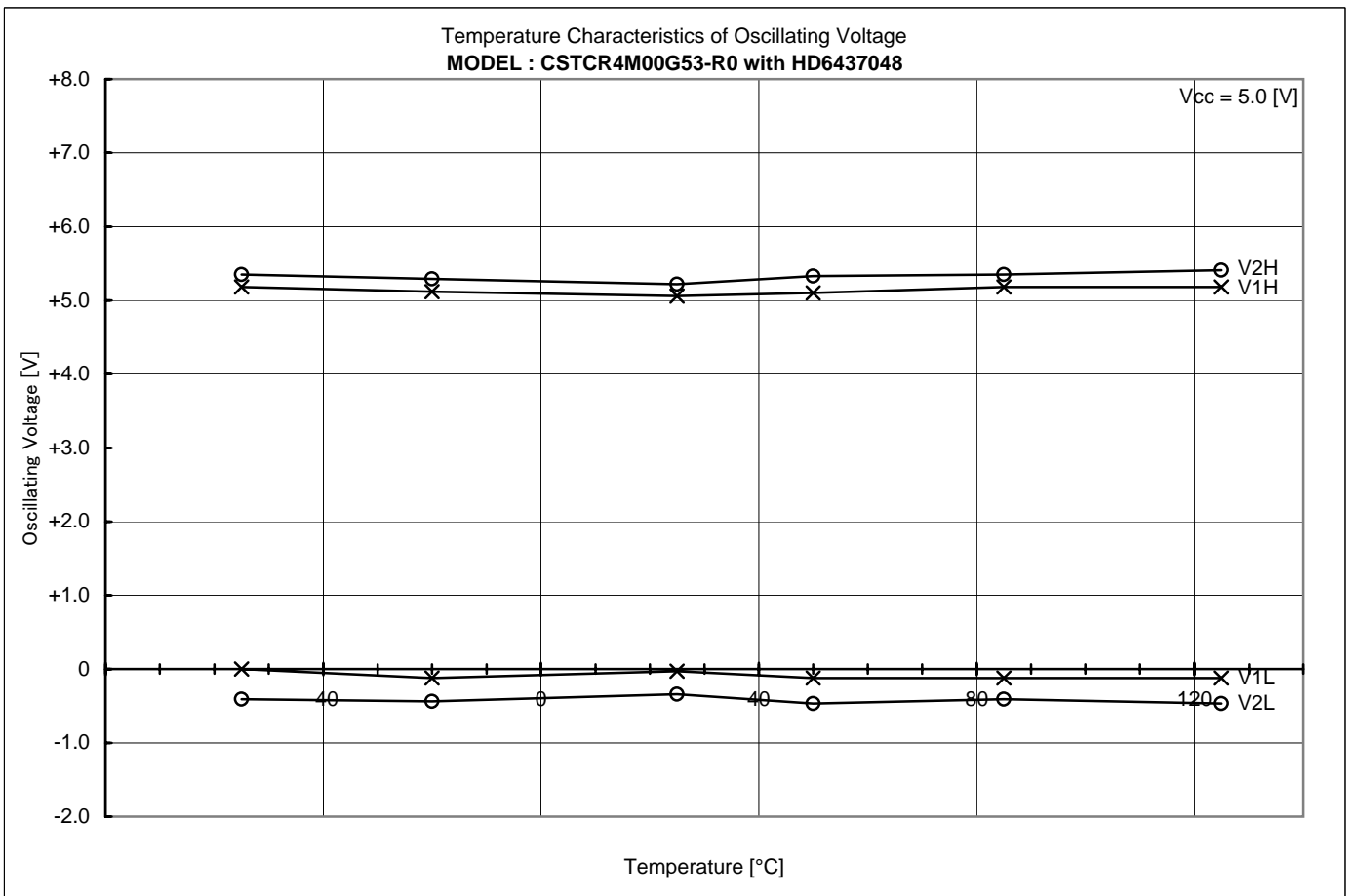
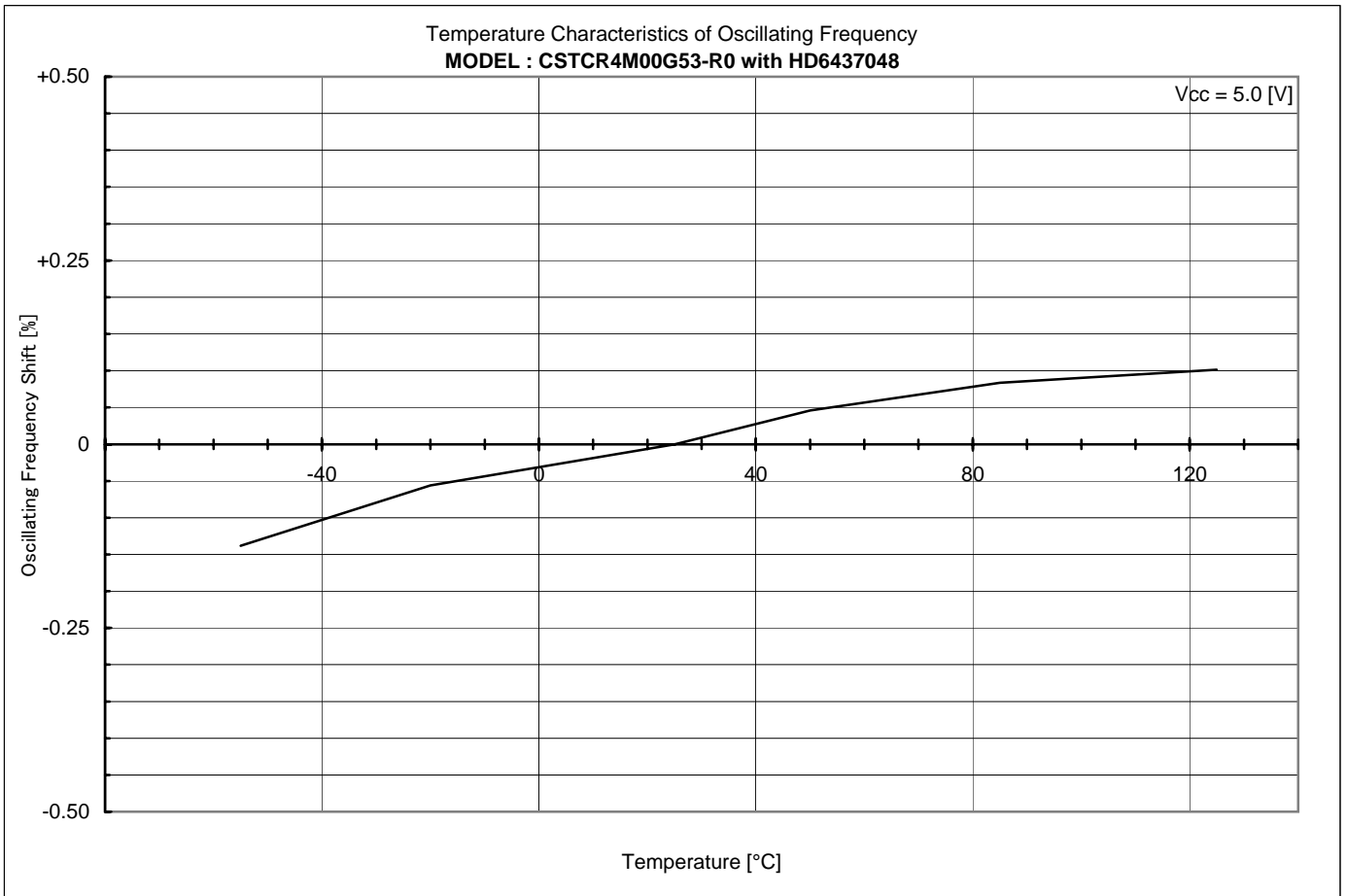
CERALOCK® : CSTCR4M00G53-R0

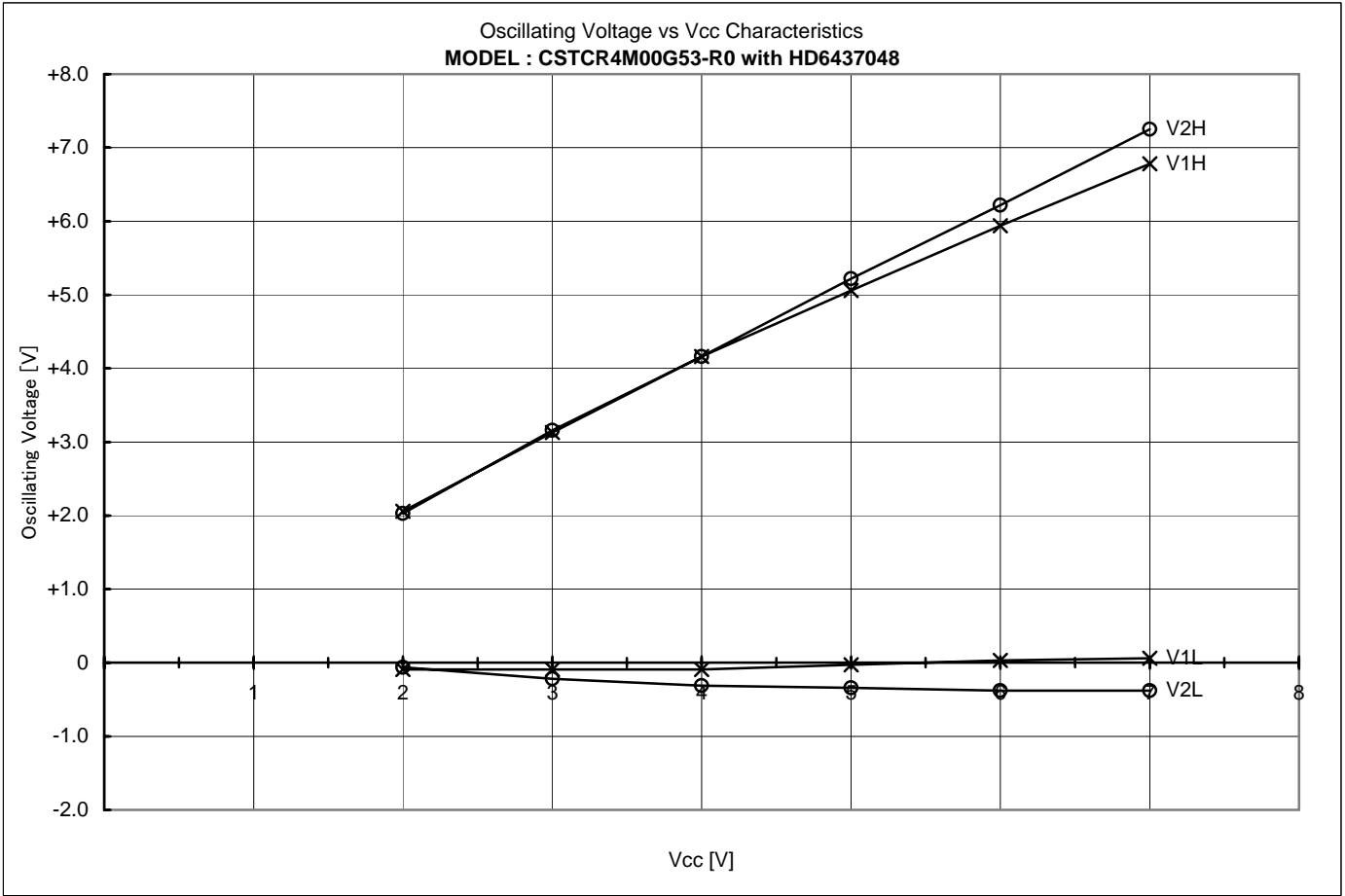
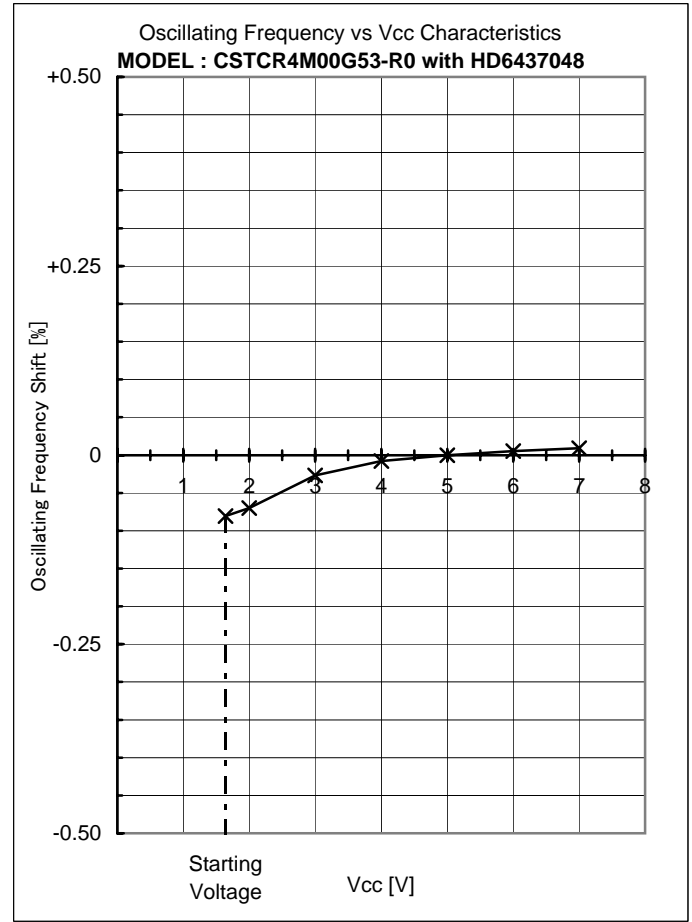
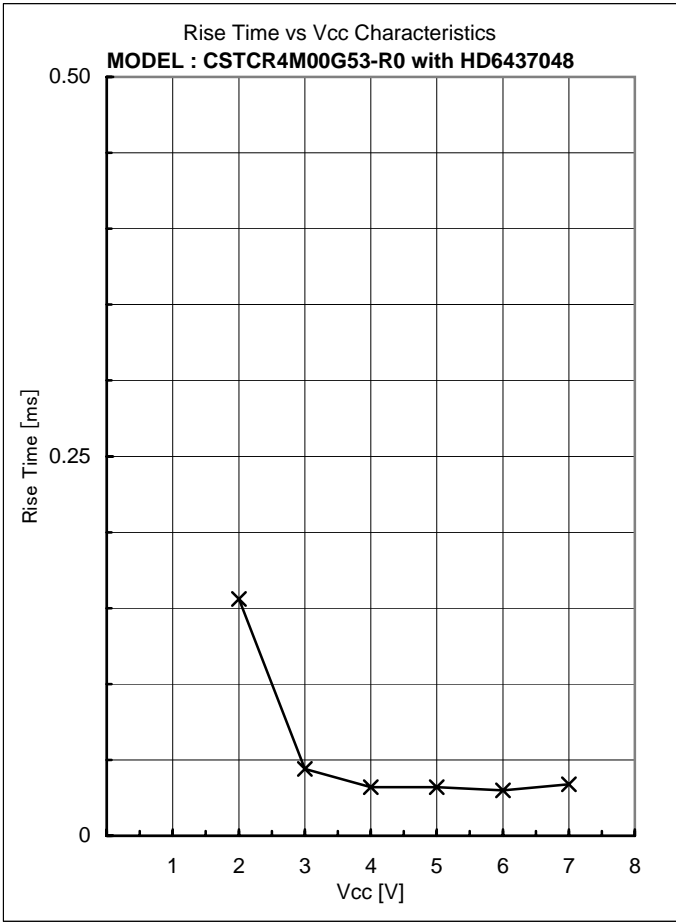
Vcc = 4.0 to 5.5 [V]

C1 = 15 [pF] (Typ.)

C2 = 15 [pF] (Typ.)

Ta = -40 to 85 [°C]





Appendixes

4.	Comparison Table	4
5.	Frequency Correlation Data	5

Comparison Table

IC : No	V1H [V]	V1L [V]	V1p-p [V]	V2H [V]	V2L [V]	V2p-p [V]	Fosc [kHz]	Trise [ms]	Vstart [V]
019	5.06	-0.03	5.09	5.22	-0.34	5.56	3991.648	0.031	1.61
030	5.06	0.06	5.00	5.22	-0.34	5.56	3991.745	0.032	1.60
167	5.06	-0.03	5.09	5.22	-0.34	5.56	3991.763	0.035	1.64

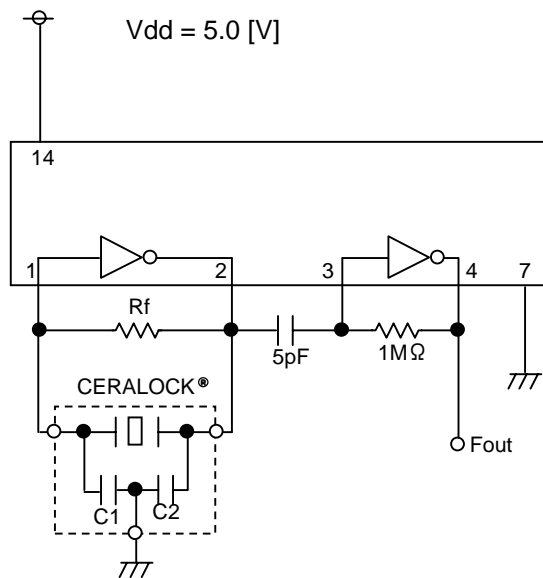
Ref.

Performance described page 2 to 3 were measured with IC No. 167

Frequency Correlation Data

Sample No.	HD6437048 Fosc [kHz]	TC4069UBP Fosc [kHz]	Shift [%]
1	3991.731	3997.741	-0.1503
2	3999.114	4005.314	-0.1548
3	3997.904	4003.078	-0.1293
4	3997.025	4002.632	-0.1401
5	3998.403	4004.673	-0.1566
X	3996.835	4002.688	-0.1462

muRata Standard Circuit



CERALOCK® : CSTCR4M00G53-R0

C1 = 15 [pF]

C2 = 15 [pF]

Rf = 1 [Mohm]