




Technical Data of Ceramic Resonator

MURATA Part No.: CSTCR6M00G55-R0

Applied to R5F21194SP(High)

TOYAMA MURATA MANUFACTURING CO., LTD.

Product Engineering Service Section VI
Piezoelectric Components Department I
Piezoelectric Components Division
Device Business Unit

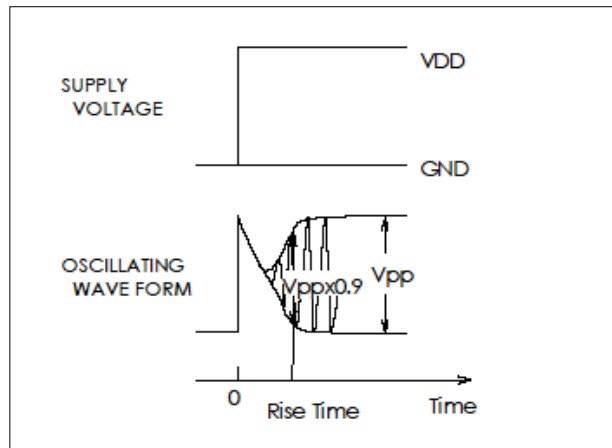
Approved by	Checked by	Issued by	Issued Date	Data No.
 K.Maruno	 R.Miyamae	 T.Morita	Feb 13, 2006	TCD-06-0162

Contents

1.	Test Circuit	1
2.	Temperature Characteristics of Oscillating Frequency, Oscillating Voltage	2
3.	Rise Time, Oscillating Frequency, Oscillating Voltage vs Vcc Characteristics	3

Note : Rise Time

"Rise time" is defined as the time when oscillation voltage reaches 90% of full voltage swing after Vdd(Vset) is supplied.

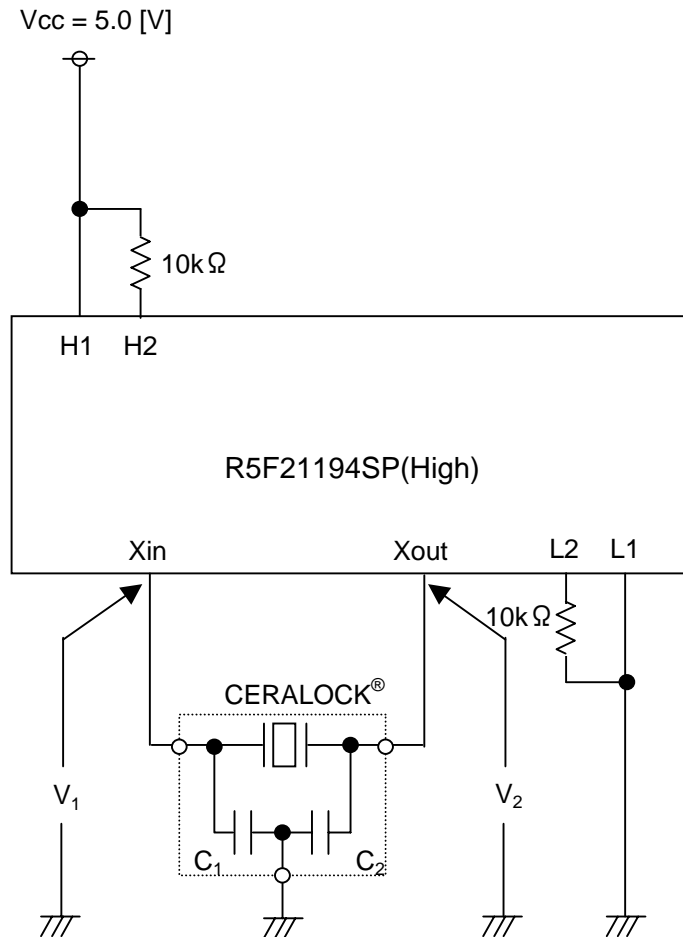


In the case that rising time of Vdd(Vset) is slow comparing to resonator's rise time due to the bypass capacitor, resonator's rise time is also slow because it depends on rising time of Vdd(Vset).

Also, in the case that the time supplying voltage to the oscillator circuit takes a certain time by reset time etc after Vdd(Vset) is applied, resonator's rise time is also slow.

In these case, we will describe "Unable to measure" in rise time data, because we can not measure resonator's rise time correctly.

Test Circuit



Xin : 6
 Xout : 4
 H1 : 3,7
 L1 : 5
 H2 : 8,10
 L2 : 2

Recommended Value

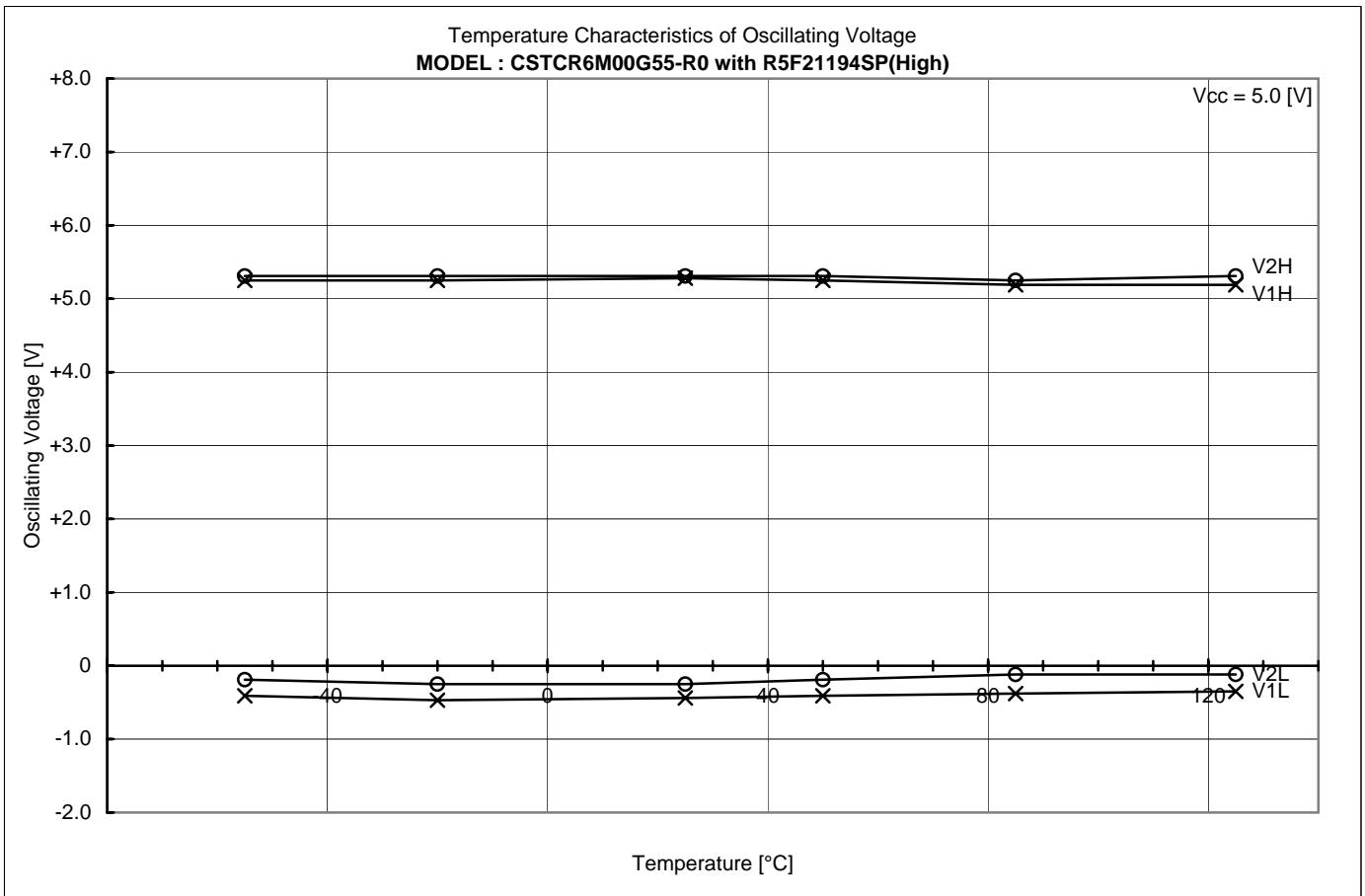
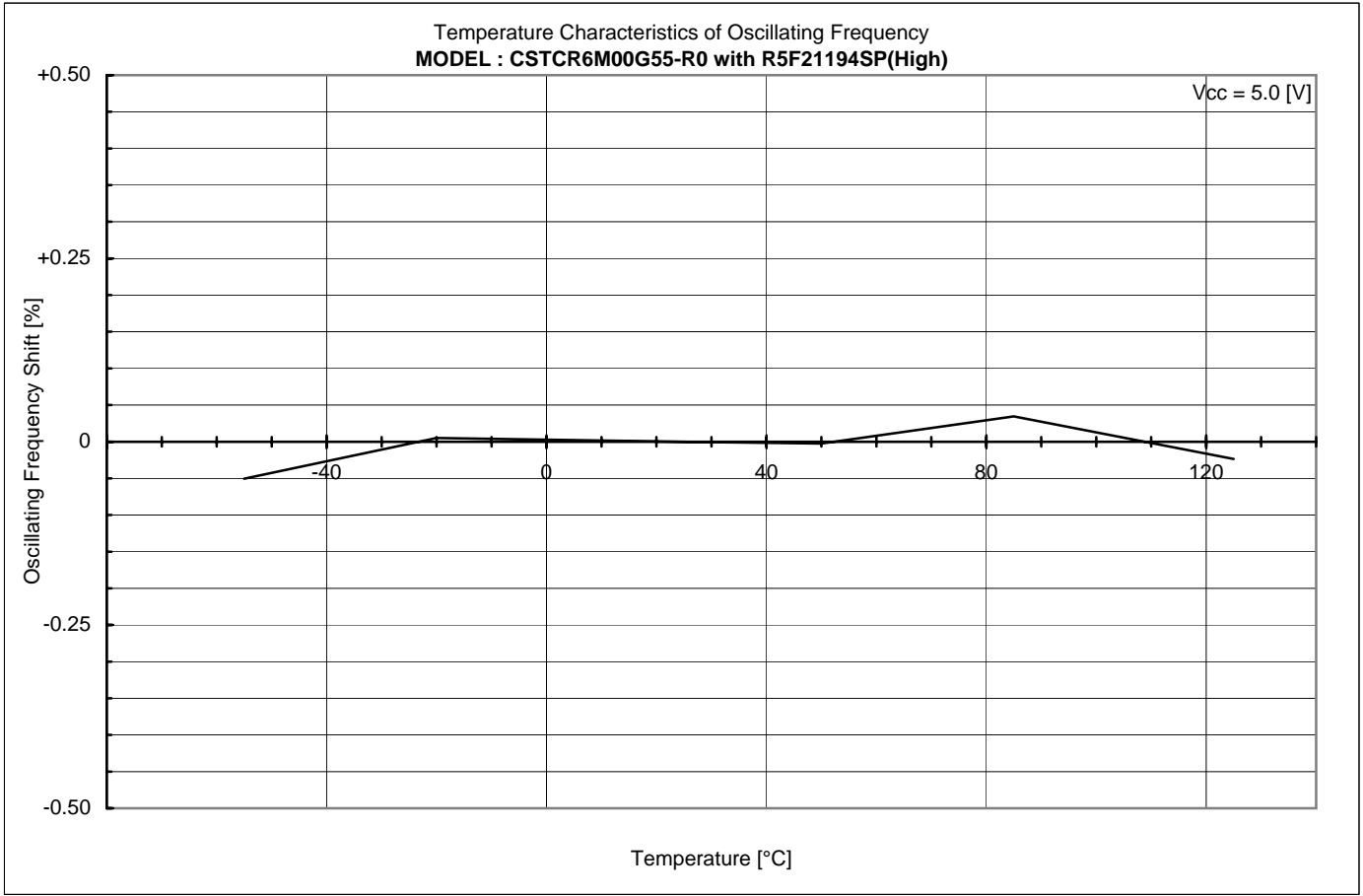
CERALOCK[®] : CSTCR6M00G55-R0

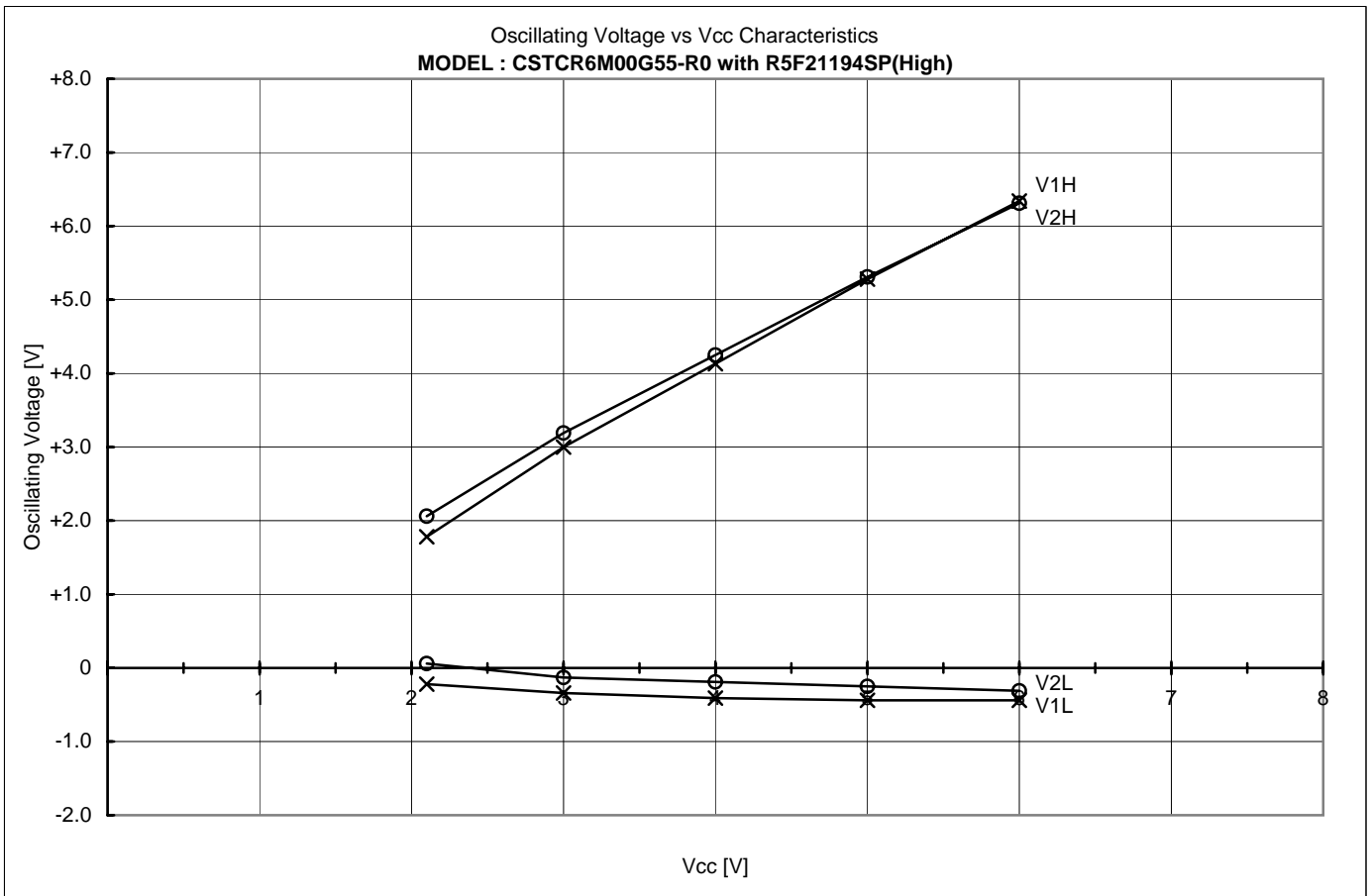
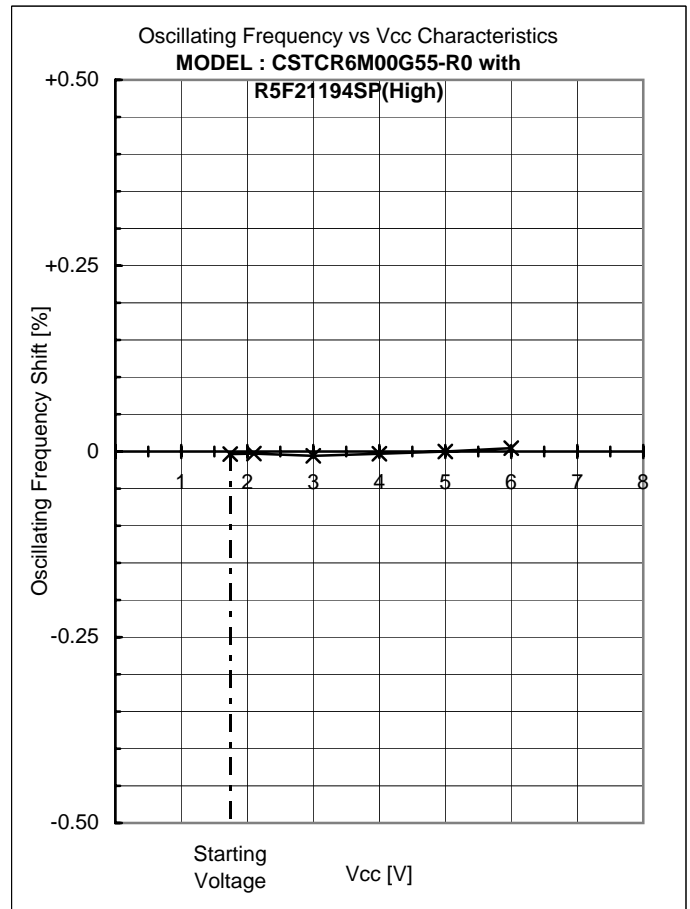
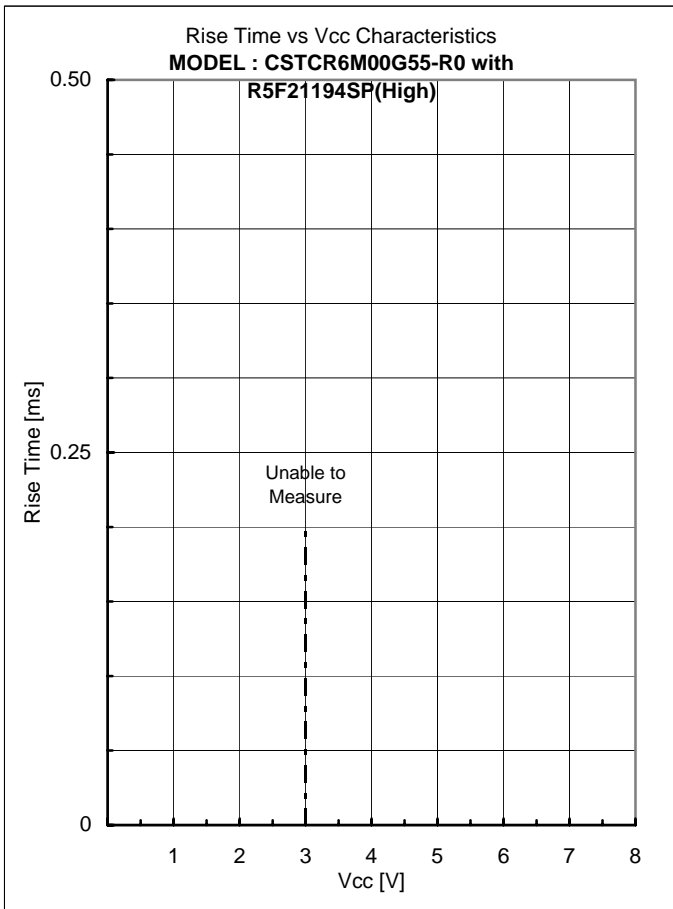
Vcc = 2.7 to 5.5 [V]

C1 = 39 [pF] (Typ.)

C2 = 39 [pF] (Typ.)

Ta = -40 to 85 [°C]





Appendixes

4. Comparison Table

4

Comparison Table

IC : No	V1H [V]	V1L [V]	V1p-p [V]	V2H [V]	V2L [V]	V2p-p [V]	Fosc [kHz]	Trise [ms]	Vstart [V]
TYP	5.28	-0.44	5.72	5.31	-0.25	5.56	5976.217	Unable to	1.74
LL	5.34	-0.38	5.72	5.31	-0.25	5.56	5976.901	Measure	1.54
LH	5.28	-0.44	5.72	5.37	-0.19	5.56	5976.155		1.70
HL	5.34	-0.41	5.75	5.31	-0.31	5.62	5976.209		1.69
HH	5.34	-0.44	5.78	5.31	-0.25	5.56	5976.256		1.78

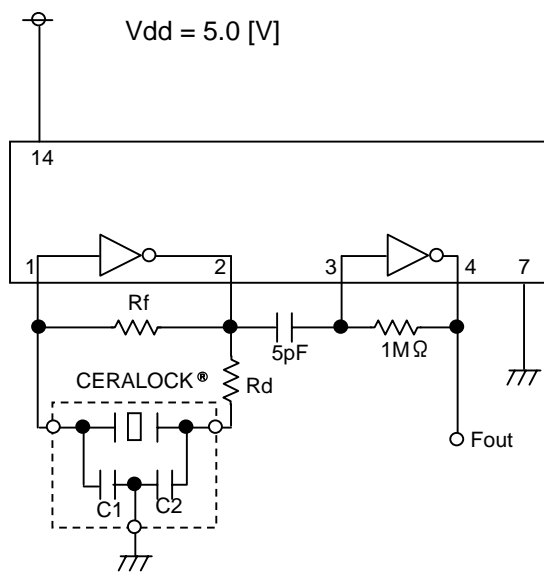
Ref.

Performance described page 2 to 3 were measured with IC No. TYP

Frequency Correlation Data

Sample No.	R5F21194SP(High) Fosc [kHz]	TC74HCU04AP Fosc [kHz]	Shift [%]
1	5976.296	5980.315	-0.0672
2	5975.506	5979.372	-0.0647
3	5996.821	6001.030	-0.0701
4	5995.710	6000.032	-0.0720
5	6000.997	6004.865	-0.0644
-			
X	5989.066	5993.123	-0.0677

muRata Standard Circuit



CERALOCK® : CSTCR6M00G55-R0

C1 = 39 [pF]

C2 = 39 [pF]

Rf = 1 [Mohm]

Rd = 680 [ohm]