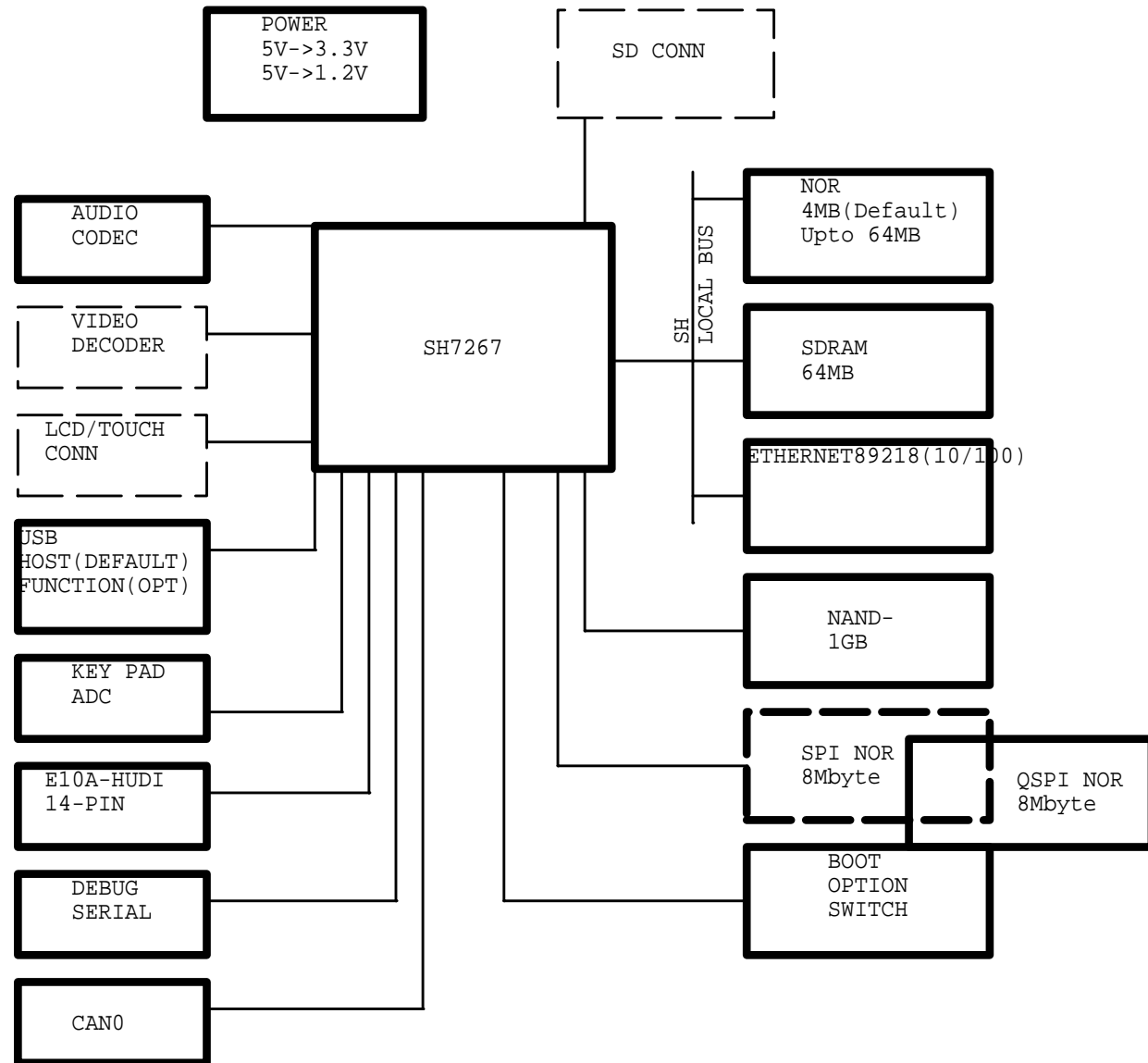






SH7267 CPU BOARD SCHEMATICS-RSK



Note:

-  Digital GND (GND)
-  Analog GND (AVss)
-  USB Analog GND (USB_AVSS)
-  Not mounted

5VCC = Digital 5V
 3VCC = Digital 3.3V
 3VCC_CPU = 3.3V for CPU
 1.2VCC = 1.2V
 PLL1.2V = 1.2V for PLL
 UA3V = Analog 3.3V for USB
 UA1.2V = Analog 1.2V for USB
 AVcc = Analog 3.3V
 AVref = 3.3V for ADC Voltage Reference

R = Fixed Resistors
 RA = Resistor Array
 C = Ceramic Caps
 CE = Tantalum Electrolytic Caps
 CP = Decoupling Caps

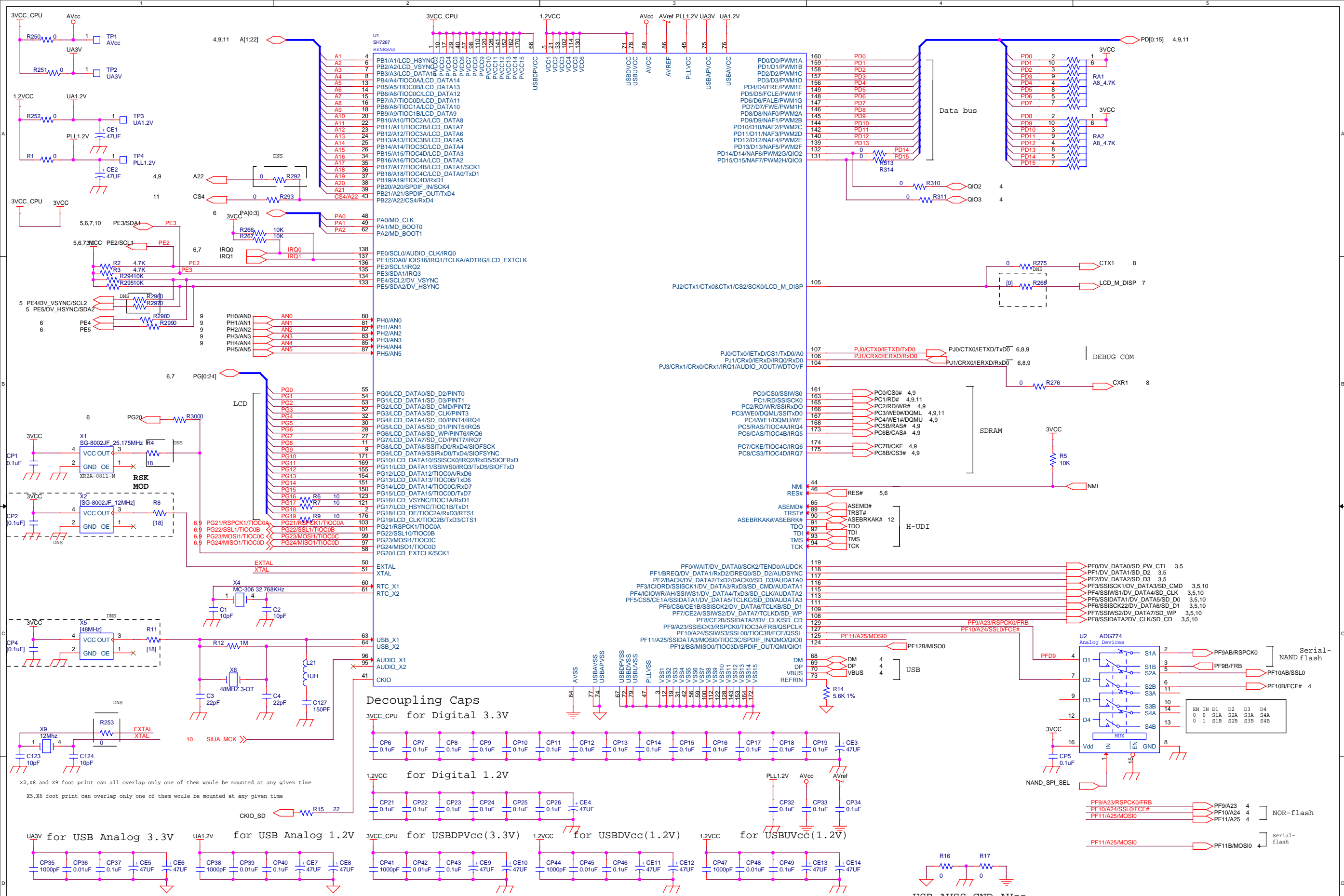
RENESAS ELECTRONICS AMERICA INC

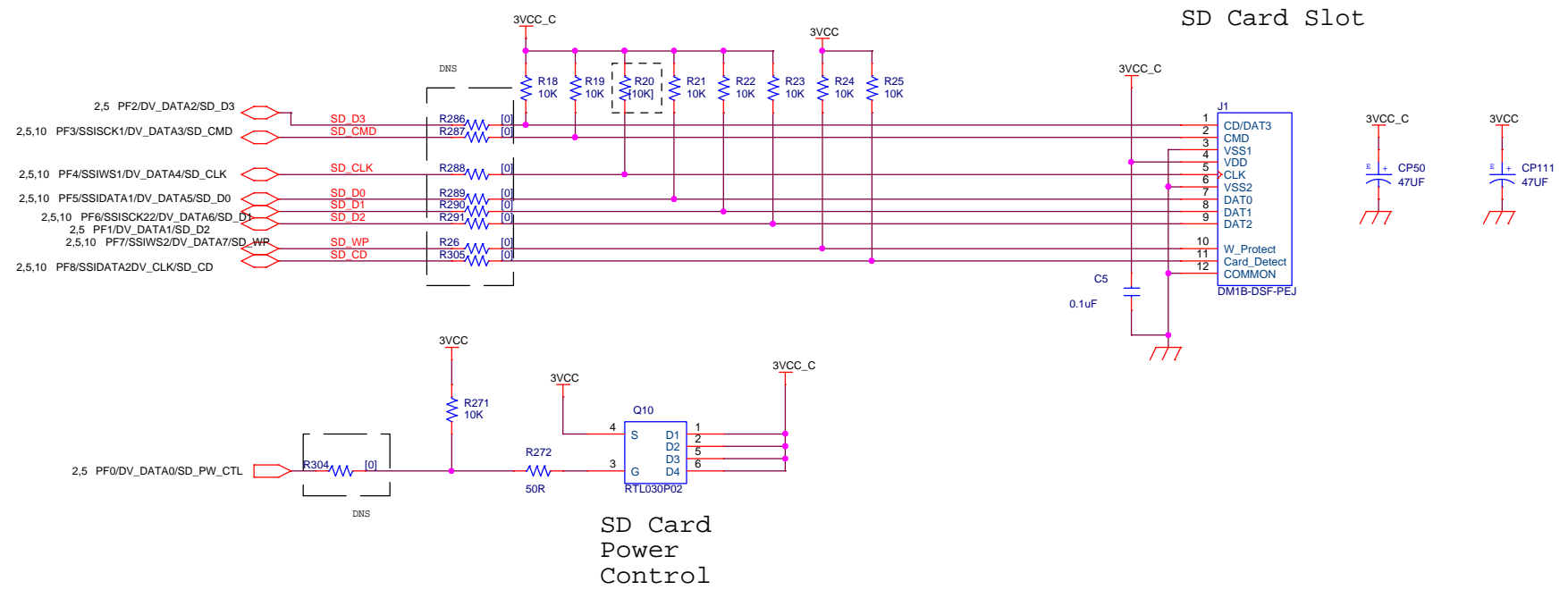
2880 Scott Boulevard
 Santa Clara, CA 95050

Title
 Block Diagram

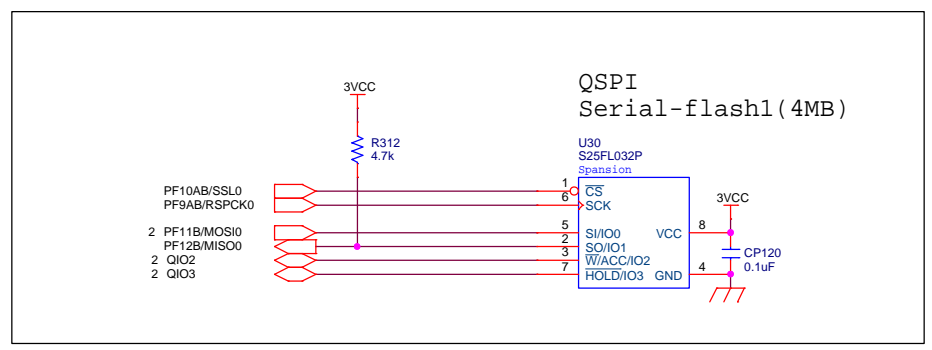
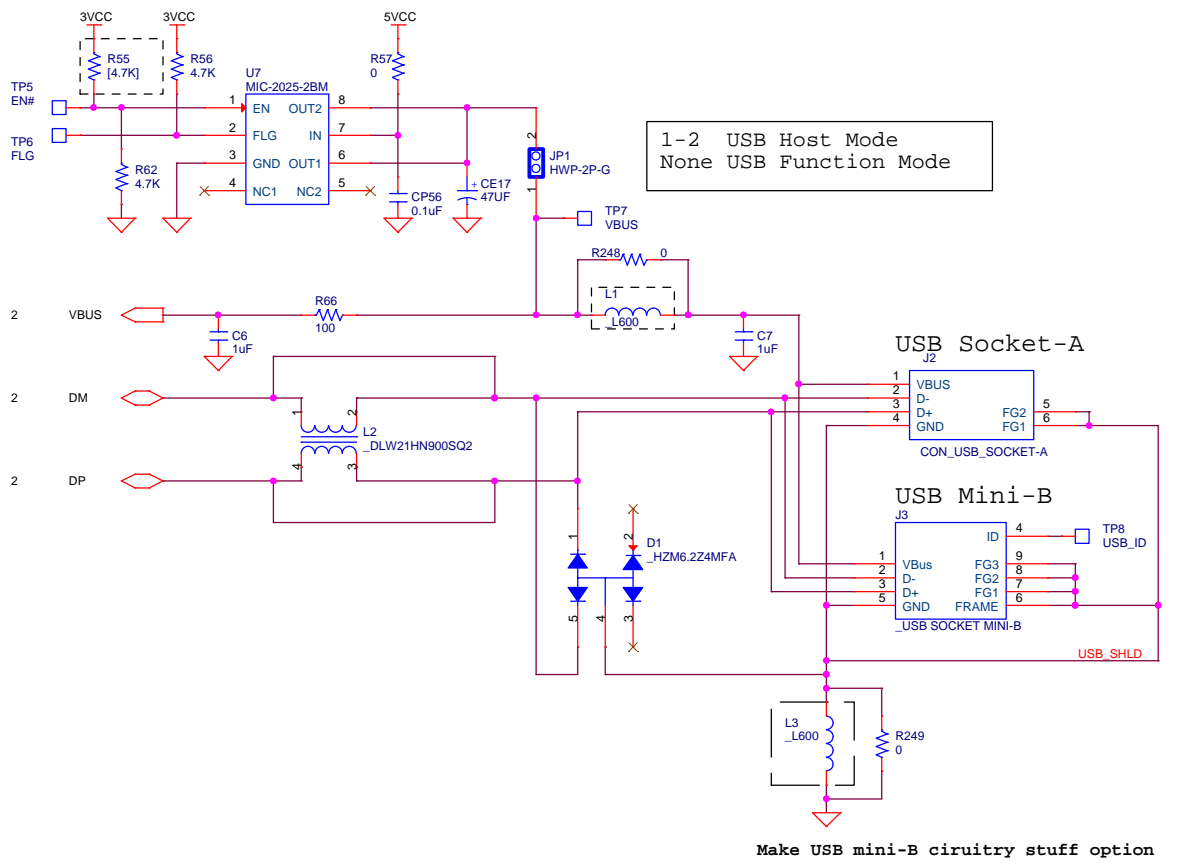
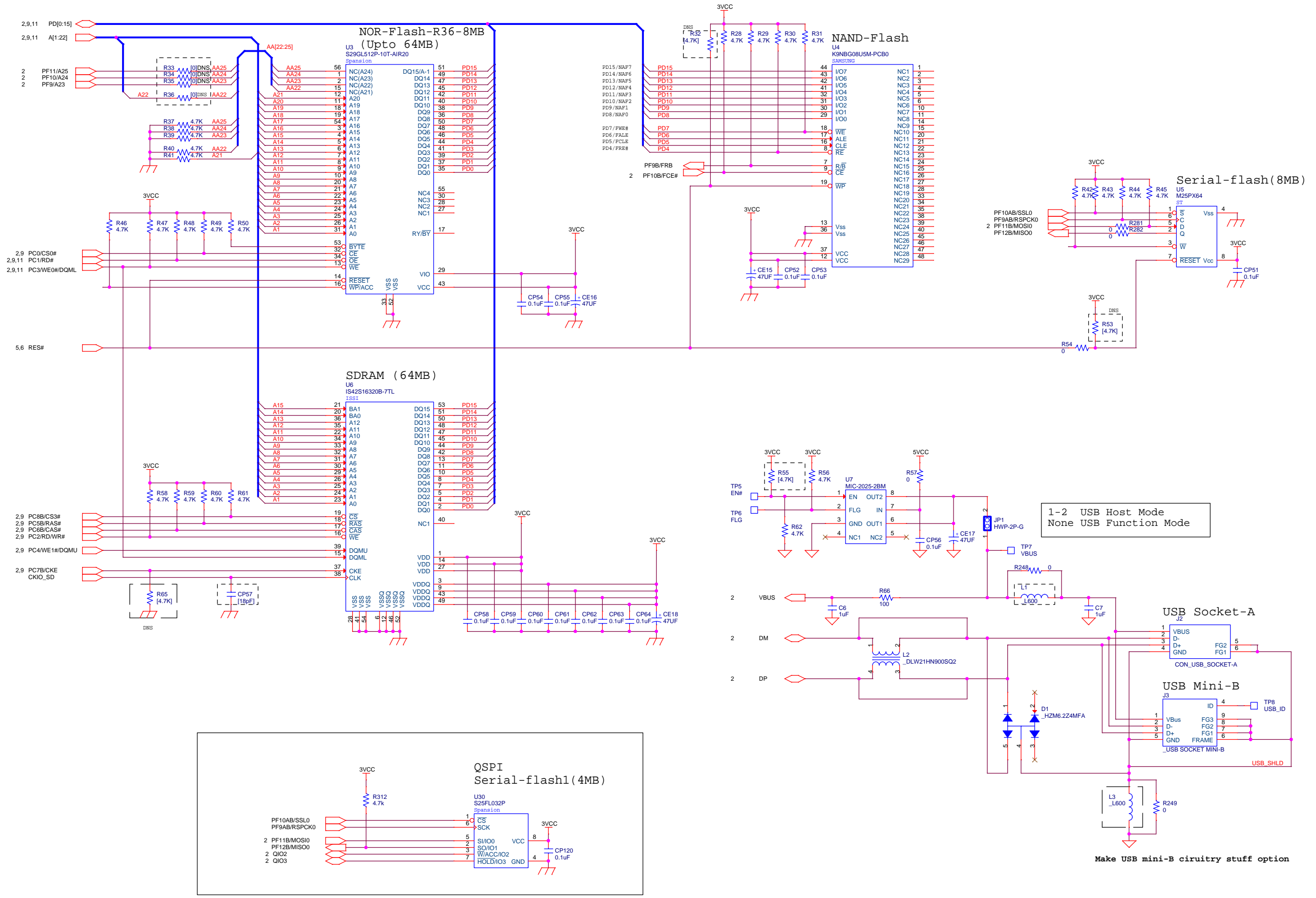
| | | |
|-----------|--------------------------------|------------|
| Size A | Document Number SH7267-0010 | Rev 1.0 |
|-----------|--------------------------------|------------|

Date: Thursday, January 26, 2012 Sheet 1 of 13



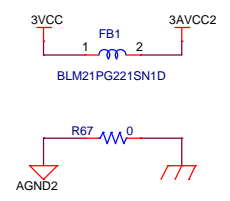
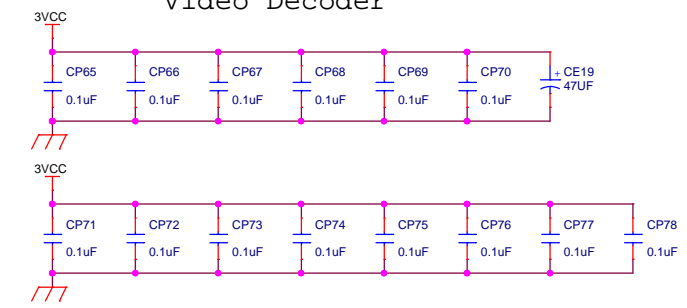


| | | |
|--|-----------------------------|---------|
| RENESAS ELECTRONICS AMERICA INC 2880 Scott Boulevard Santa Clara, CA 95050 | | |
| Title: SD-CARD CONNECTOR | | |
| Size C | Document Number SH7267-0010 | Rev 1.0 |
| Date: Monday, January 23, 2012 | Sheet 3 of 13 | |

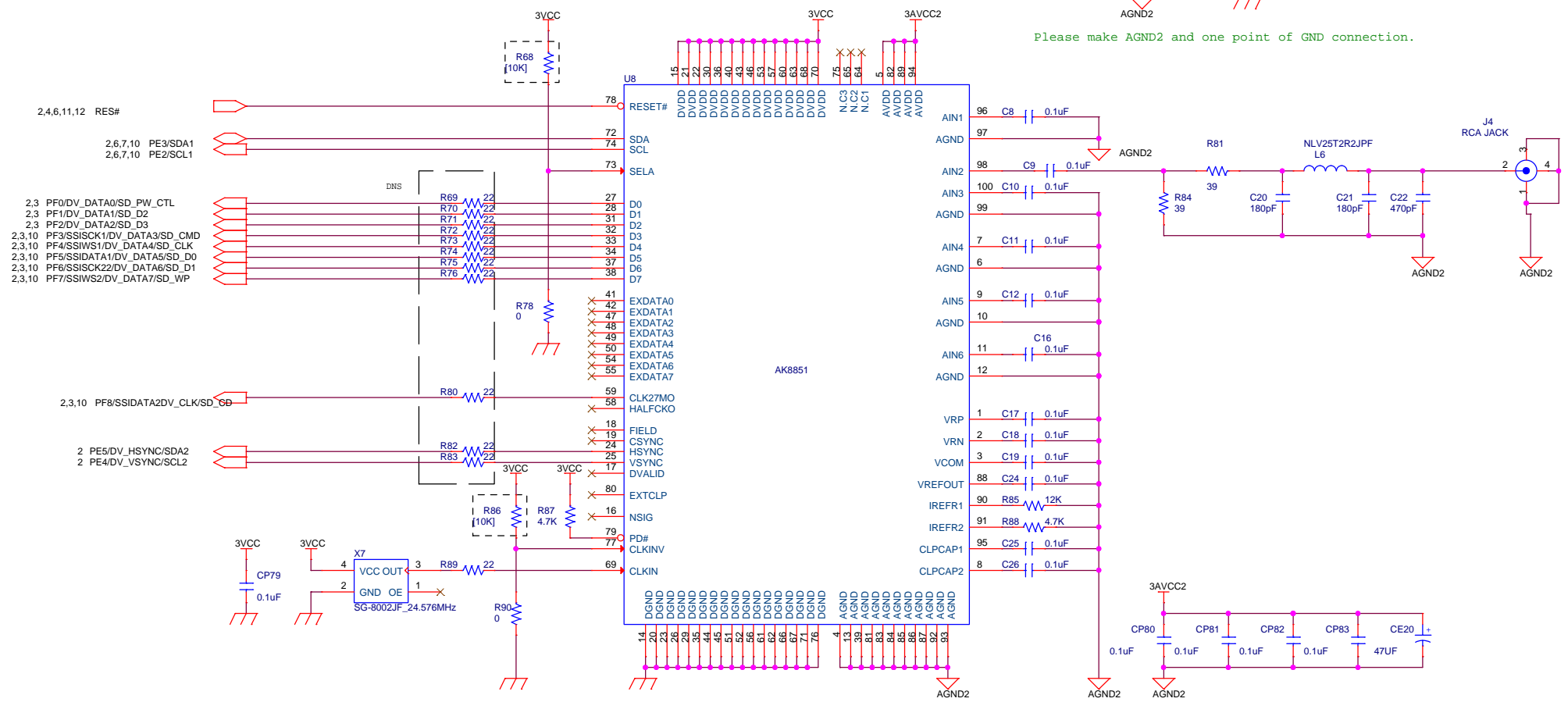


REV3 Change

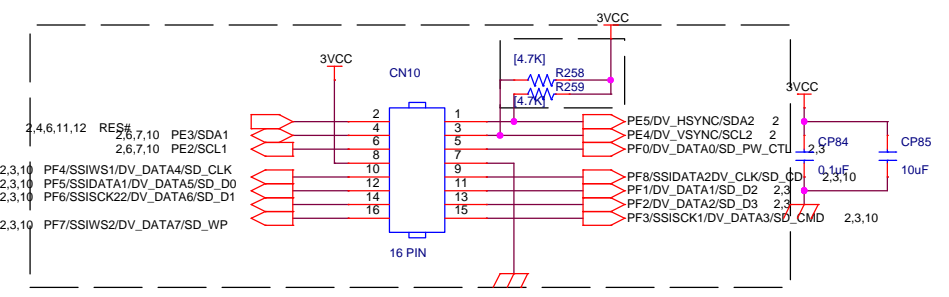
Video Decoder



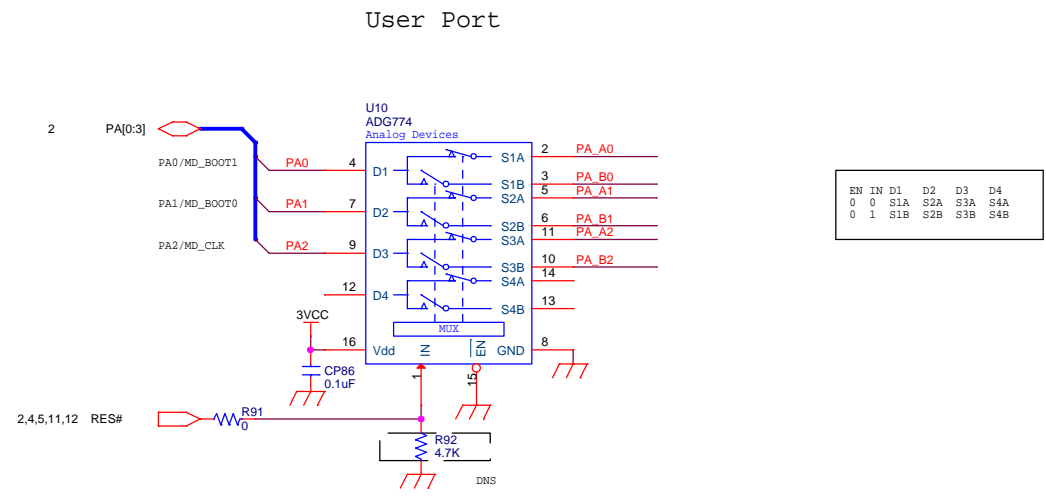
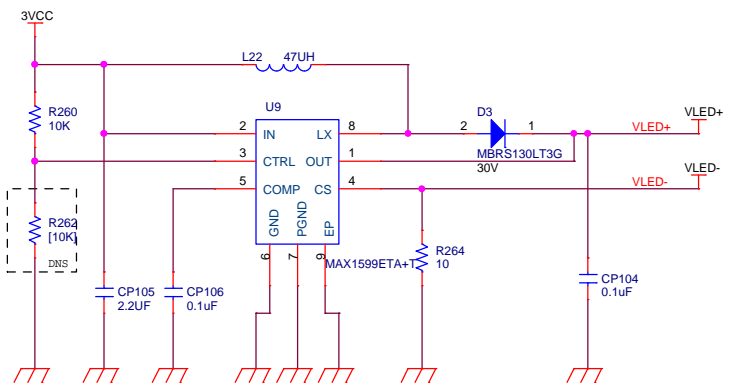
Please make AGND2 and one point of GND connection.



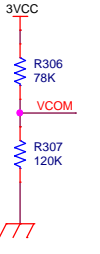
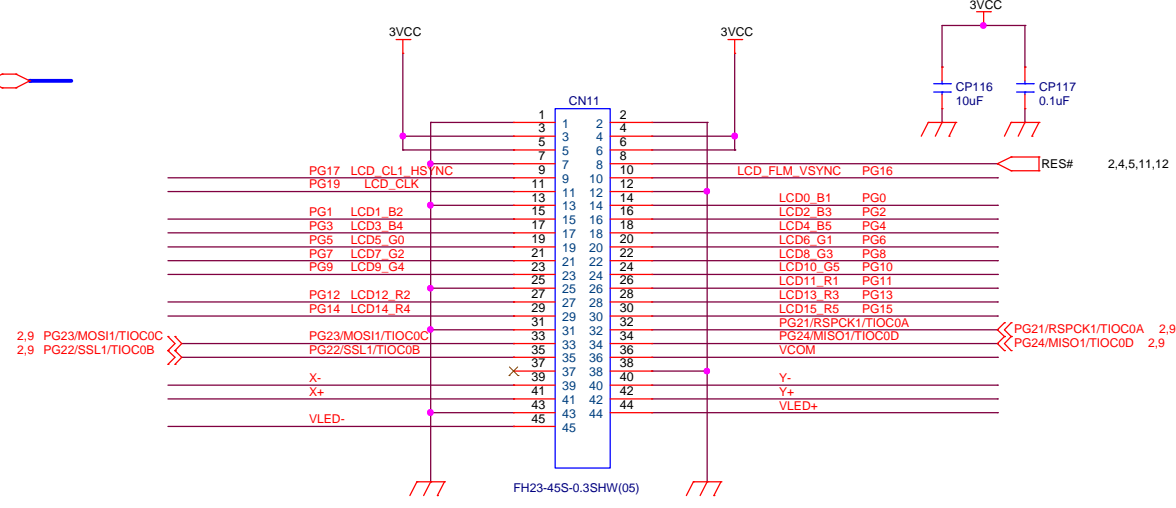
Video Input Composite



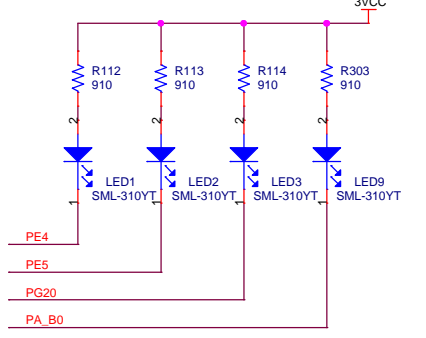
| | | |
|--|--------------------------|---------------|
| RENESAS ELECTRONICS AMERICA INC 2880 Scott Boulevard Santa Clara, CA 95050 | | |
| File | Video-Decoder | |
| Size | Document Number | Rev |
| C | SH7267-0010 | 1.0 |
| Date: | Monday, January 23, 2012 | Sheet 5 of 13 |



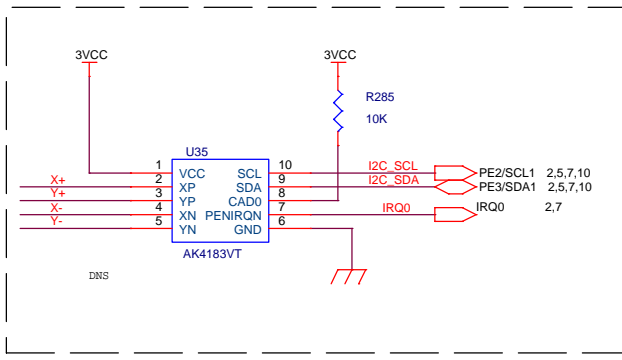
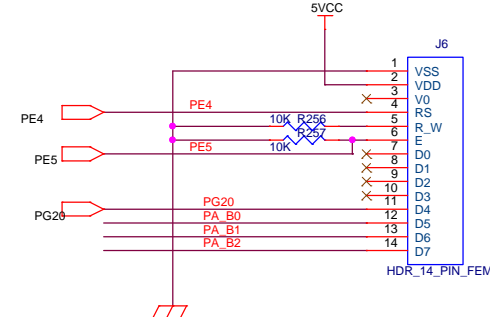
2.7 PG[0:24]



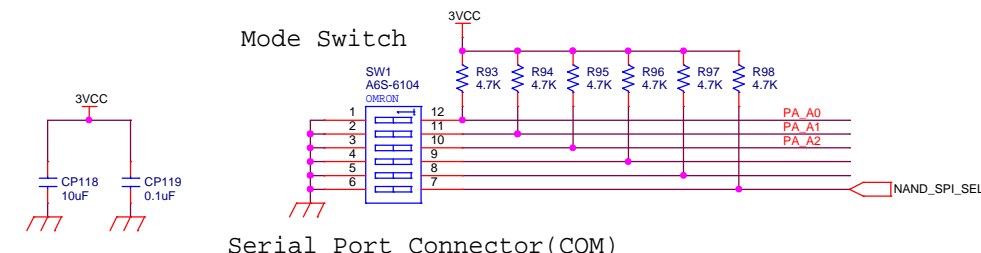
YELLOW



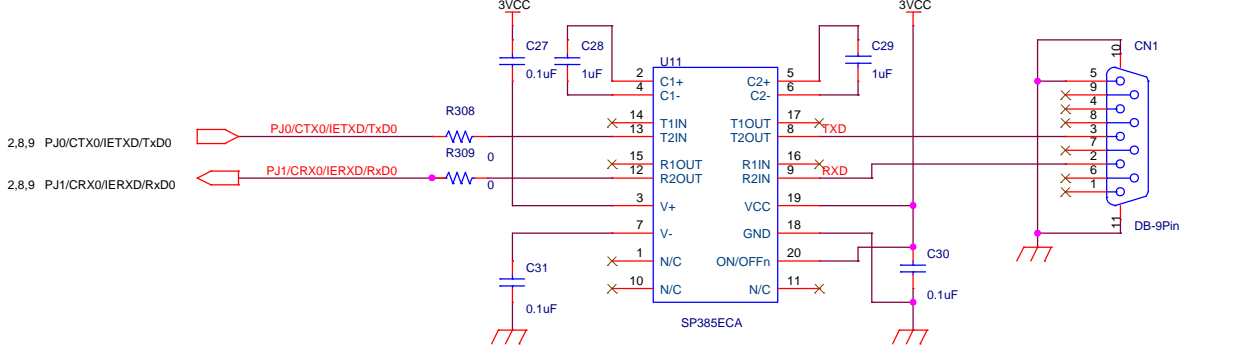
Debug Character LCD



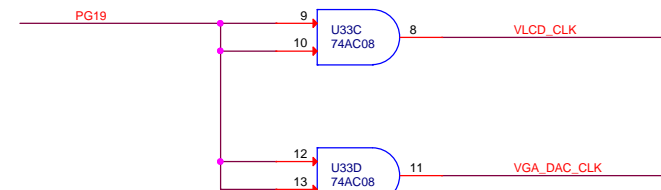
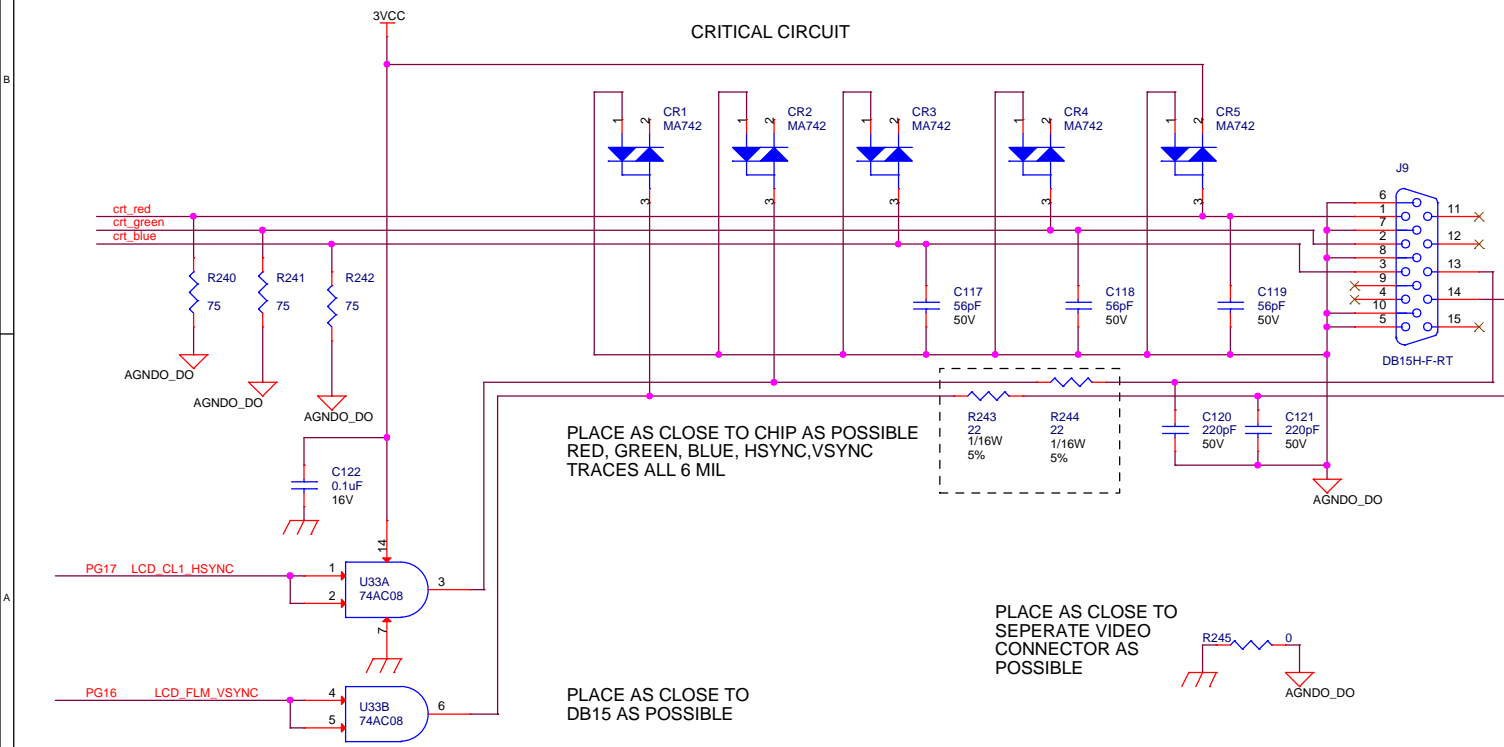
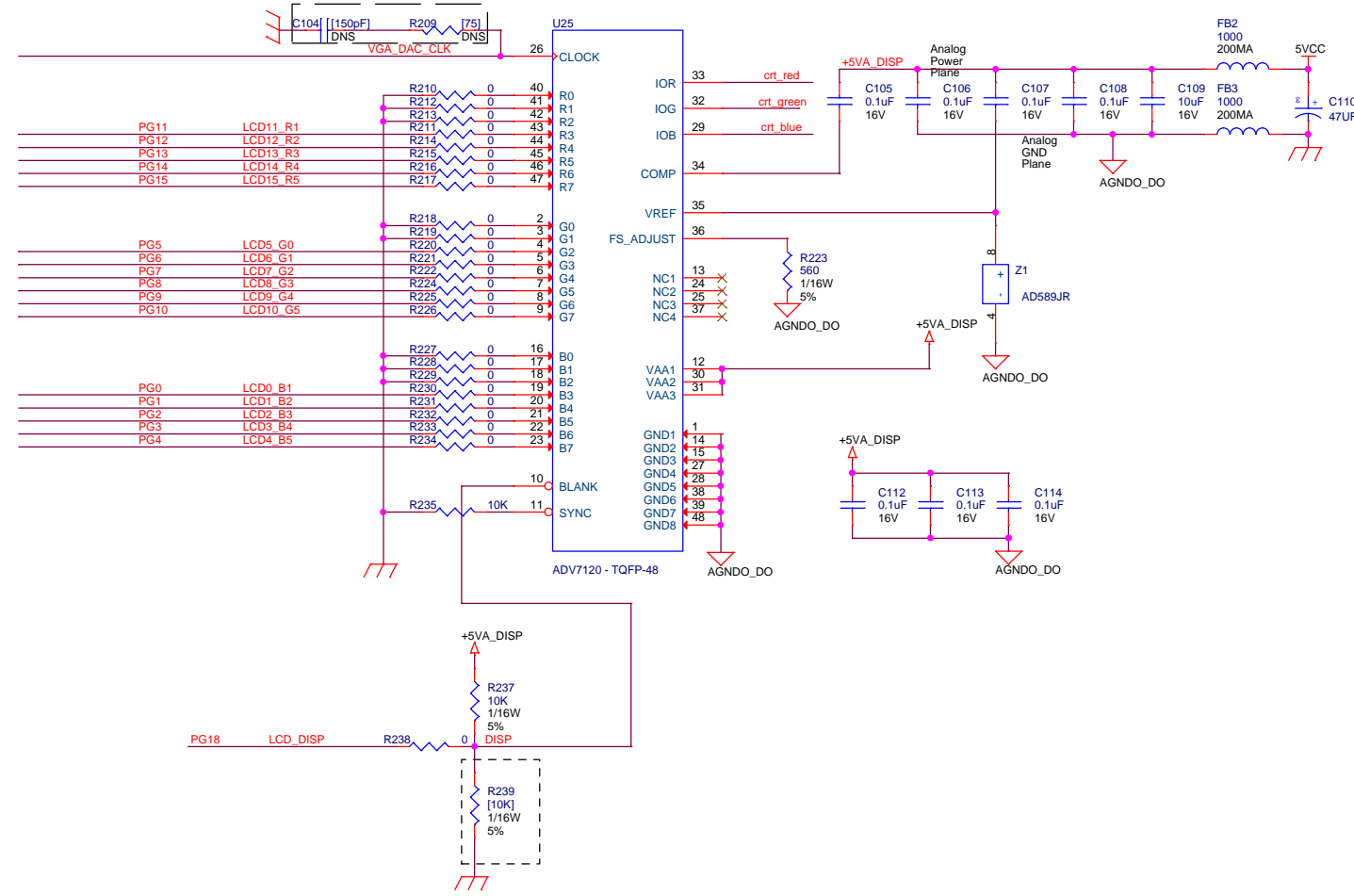
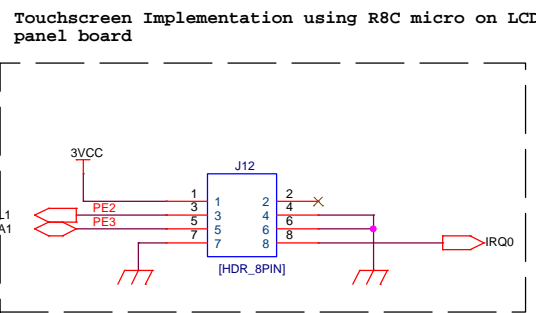
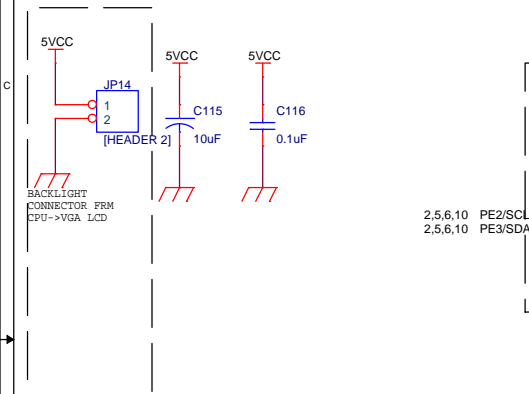
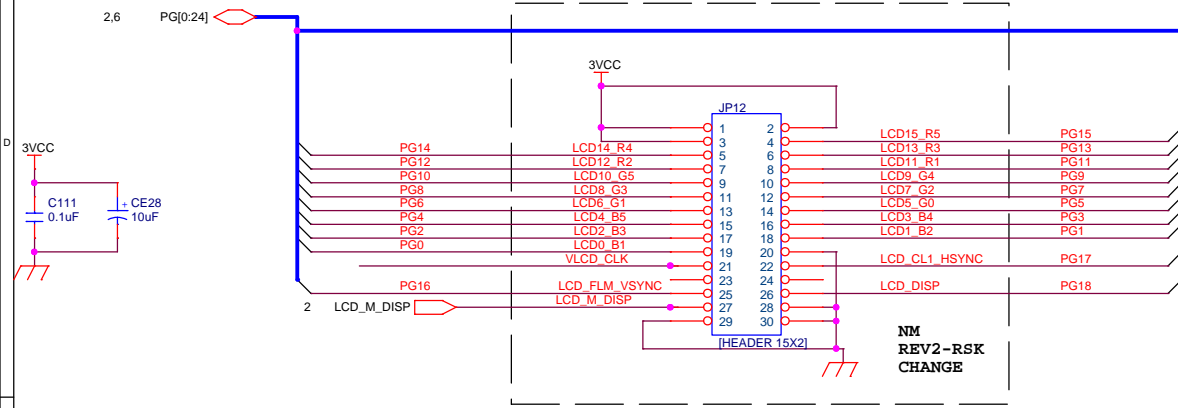
Mode Switch

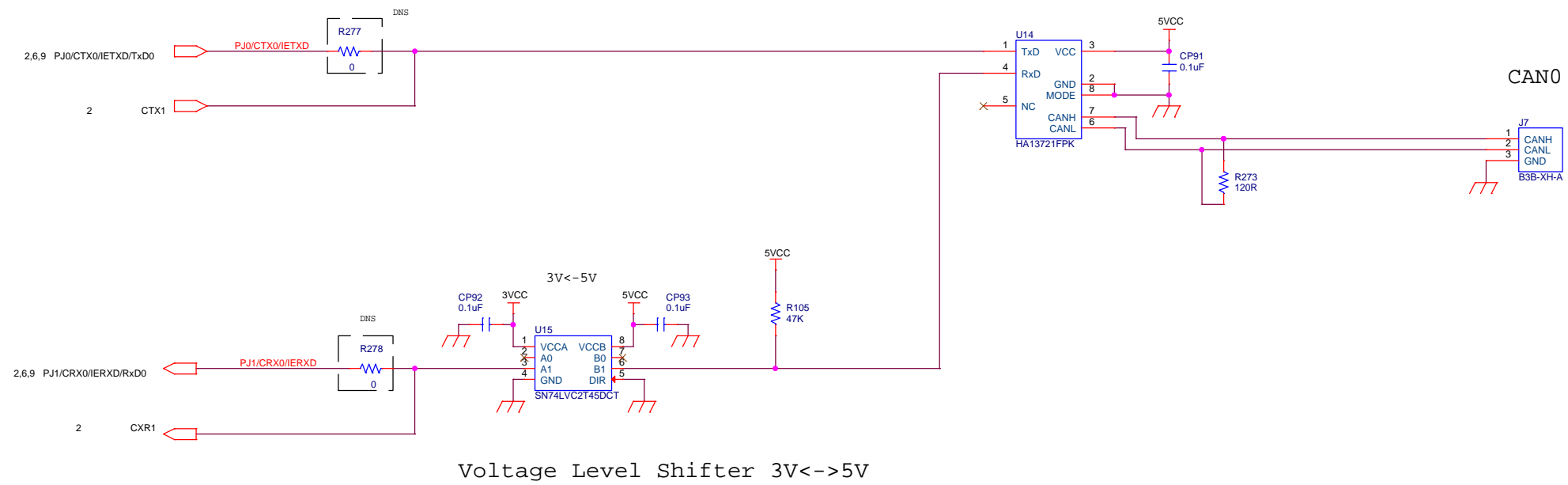


Serial Port Connector(COM)



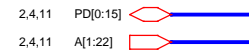
TFT LCD Module Interface + I2C Touchscreen conn



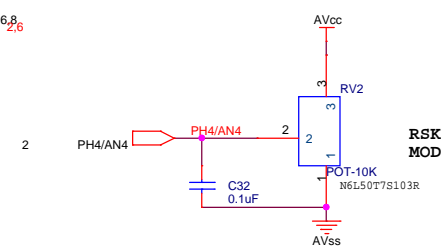
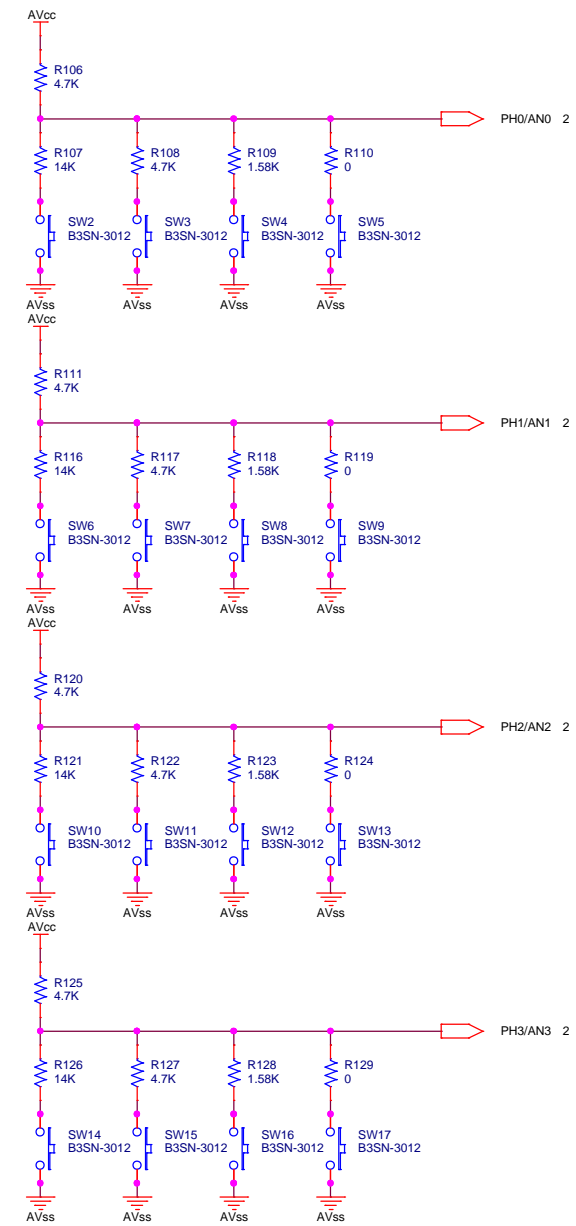
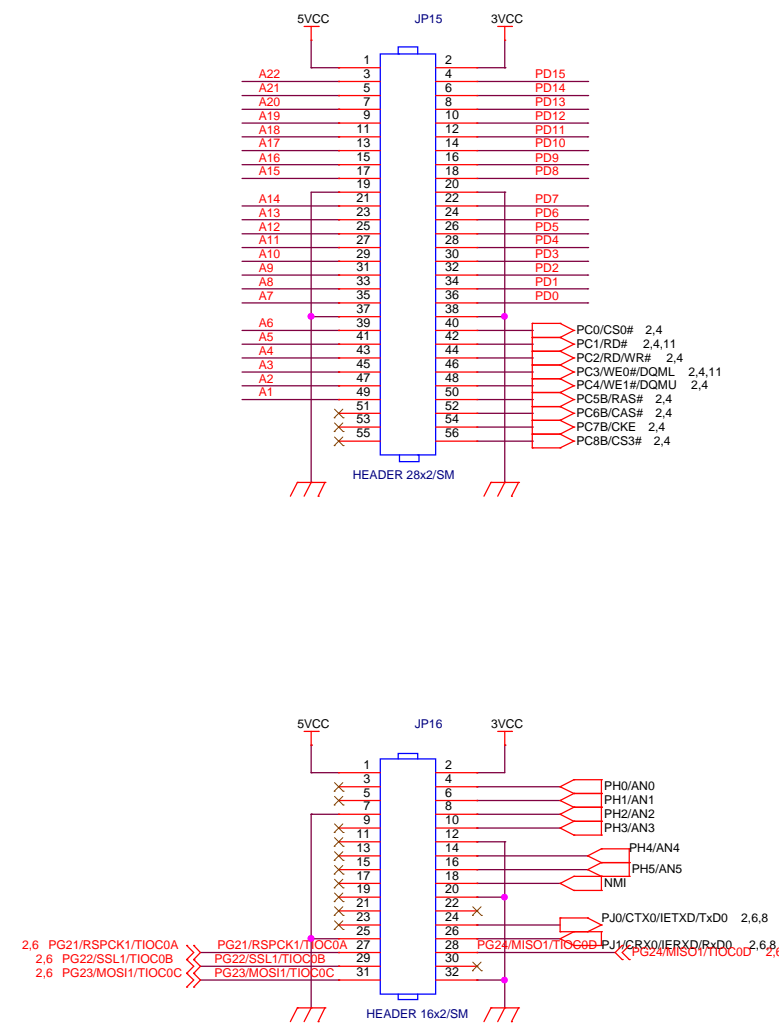


| | | |
|--|------------------------------|----------|
| RENESAS ELECTRONICS AMERICA INC 2880 Scott Boulevard Santa Clara, CA 95050 | | |
| Title: CAN-IB-BUS | | |
| Size: C | Document Number: SH7267-0010 | Rev: 1.0 |
| Date: Monday, January 23, 2012 | Sheet: 8 | of 13 |

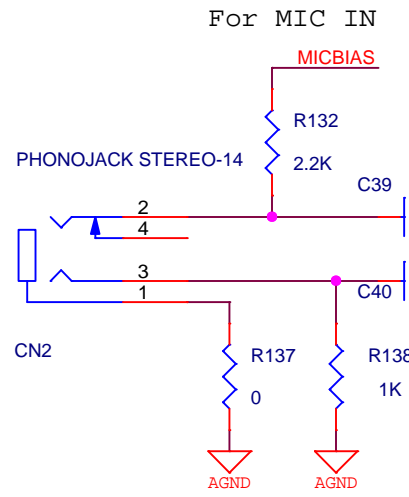
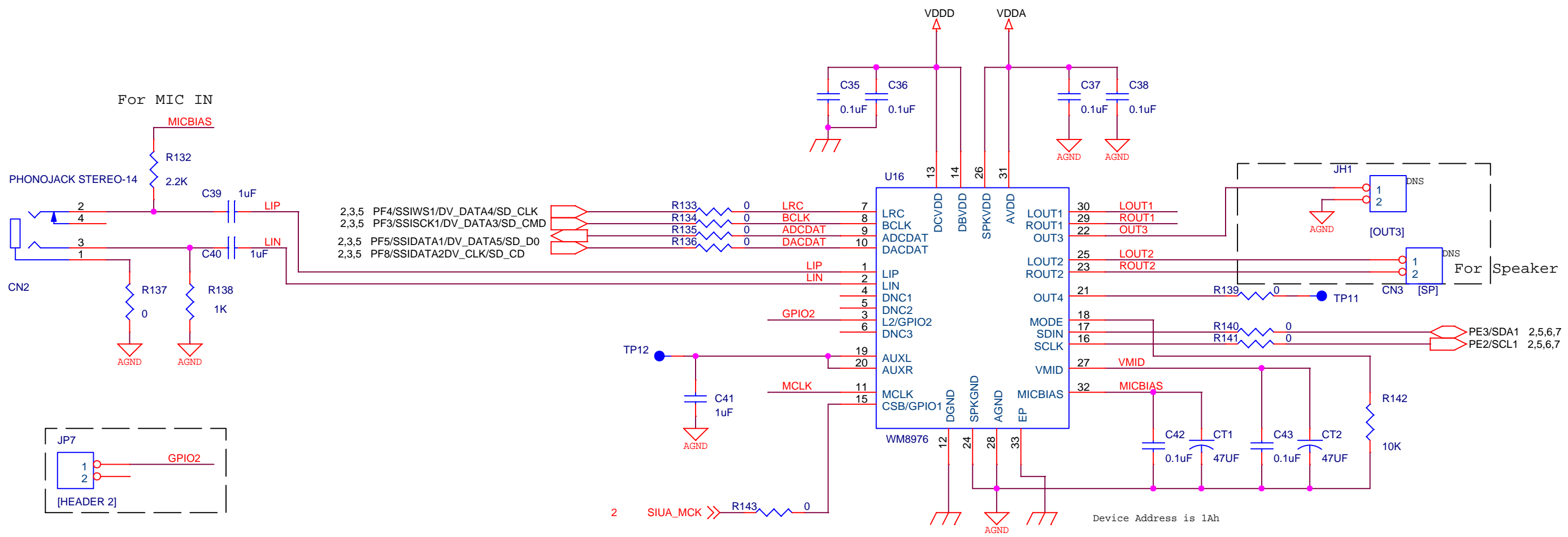
LED



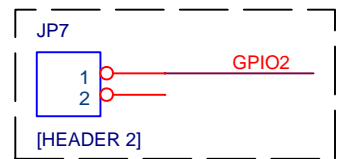
Key Input



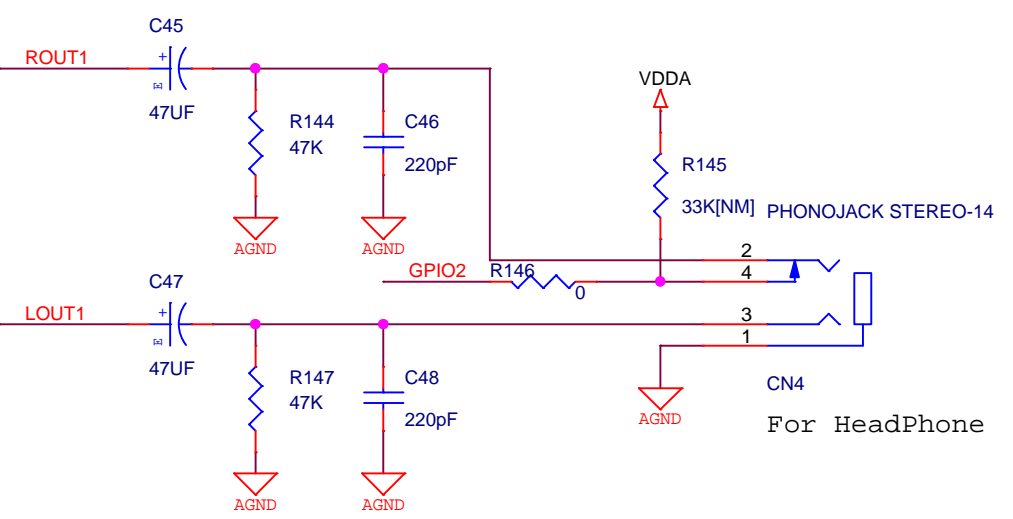
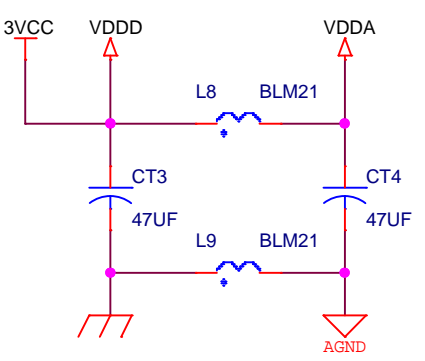
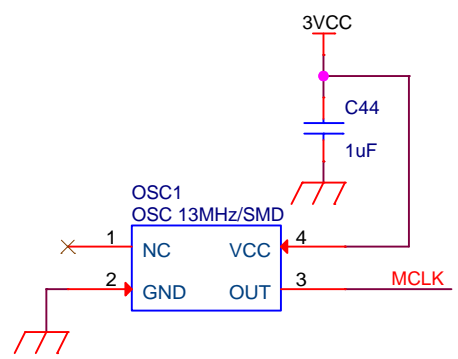
| | | |
|--|-----------------|---------|
| RENESAS ELECTRONICS AMERICA INC 2880 Scott Boulevard Santa Clara, CA 95050 | | |
| Title: KEYPAD-LED | | |
| Size C | Document Number | Rev 1.0 |
| Date: Monday, January 23, 2012 | Sheet 9 of 13 | |



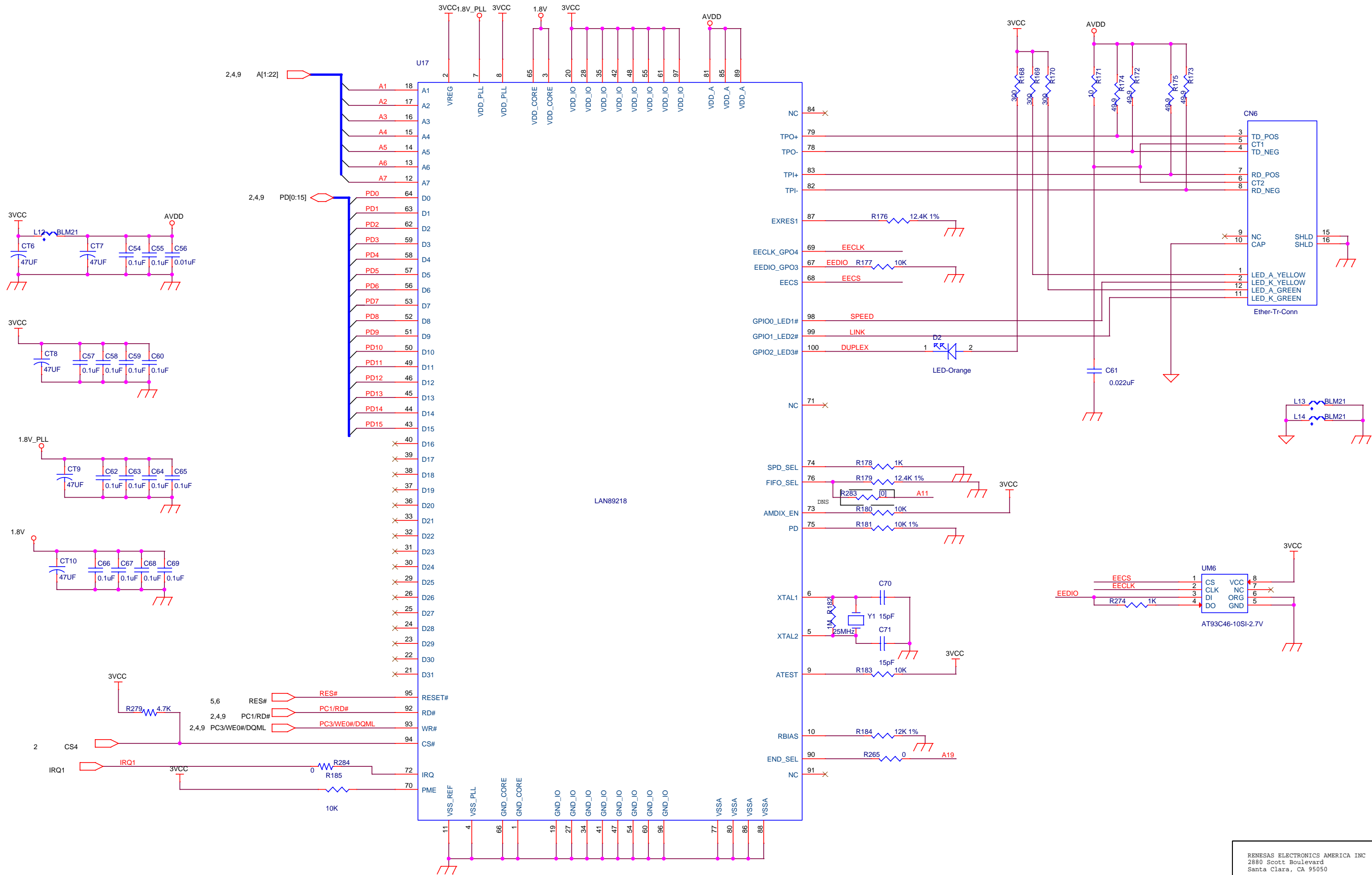
2,3,5 PF4/SSIWS1/DV_DATA4/SD_CLK
 2,3,5 PF3/SSISCK1/DV_DATA3/SD_CMD
 2,3,5 PF5/SSIDATA1/DV_DATA5/SD_D0
 2,3,5 PF8/SSIDATA2/DV_CLK/SD_CD



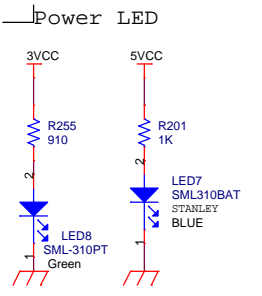
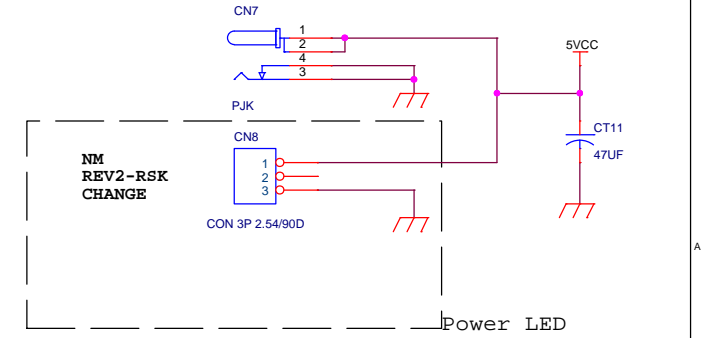
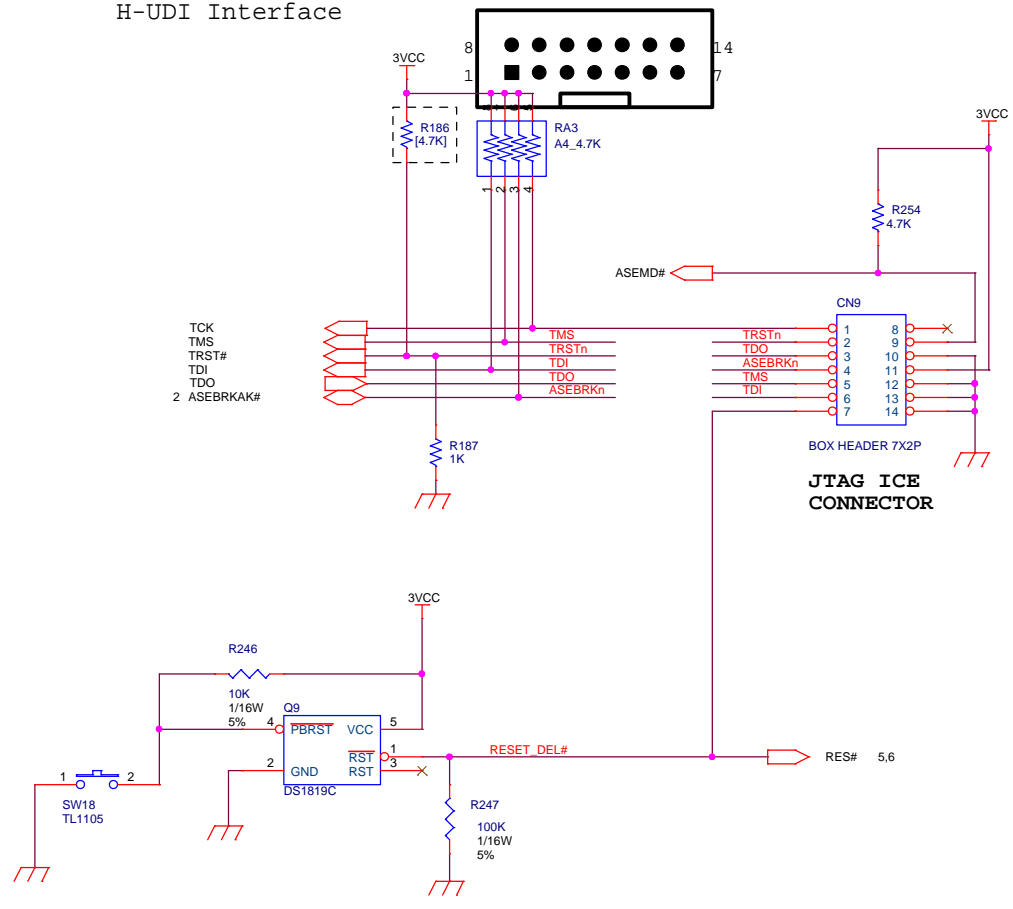
LRC R301 0 PF7/SSIWS2/DV_DATA7/SD_WP 2,3,5
 BCLK R302 0 PF6/SSISCK22/DV_DATA6/SD_D1 2,3,5



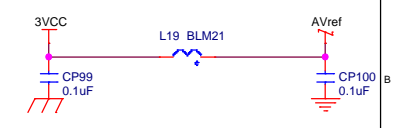
| | | |
|---|--------------------------------|------------|
| RENEAS ELECTRONICS AMERICA INC 2880 Scott Boulevard Santa Clara, CA 95050 | | |
| Title AUDIO CODEC | | |
| Size B | Document Number SH7267-0010 | Rev 1.0 |
| Date: Thursday, January 26, 2012 | Sheet 10 | of 13 |



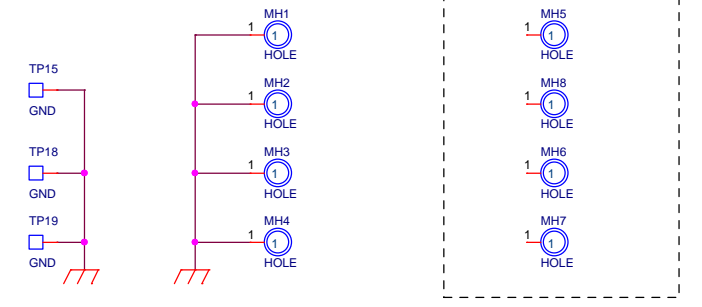
H-UDI Interface



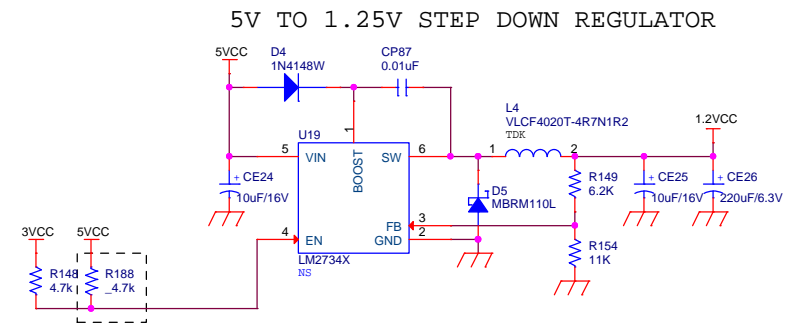
ADC Voltage Reference



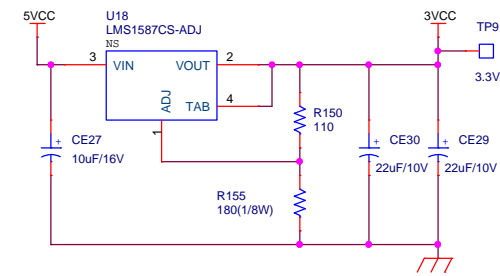
Board fixed hole. for Corner (M3)



| | | |
|--|--------------------------|----------------|
| RENESAS ELECTRONICS AMERICA INC 2880 Scott Boulevard Santa Clara, CA 95050 | | |
| Title | POWER-E10A-JTAG-DEBUG | |
| Size | Document Number | Rev |
| C | SH7267-0010 | 1.0 |
| Date: | Monday, January 23, 2012 | Sheet 12 of 13 |



5V To 3.3V Linear Regulator



| | | |
|---|------------------------------|----------|
| RENEASIS ELECTRONICS AMERICA INC 2880 Scott Boulevard Santa Clara, CA 95050 | | |
| Title: RENEASIS-POWER | | |
| Size: C | Document Number: SH7267-0010 | Rev: 1.0 |
| Date: Monday, January 23, 2012 | Sheet: 13 of 13 | |