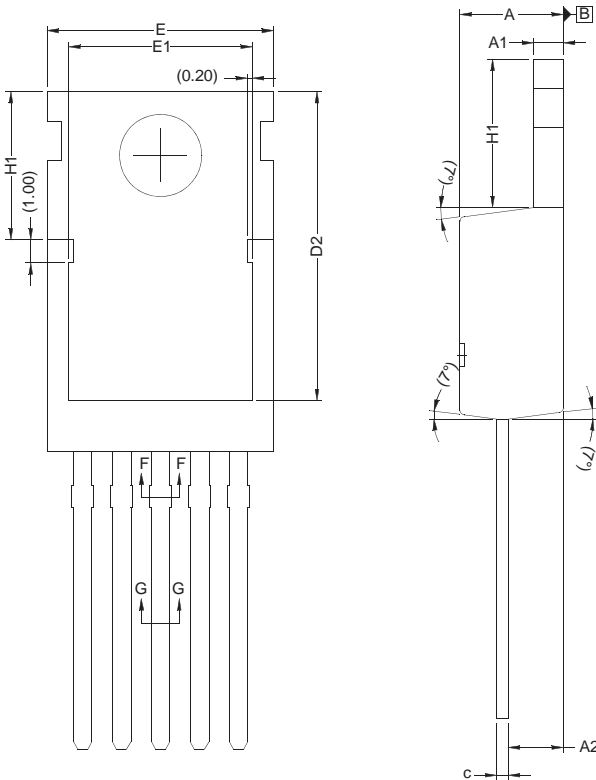
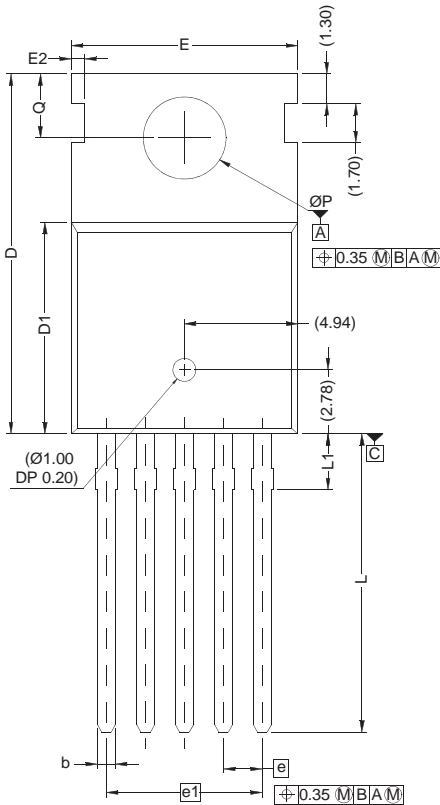


Single-In-Line Plastic Packages (SIP)



Z5.067D (ALTERNATE VERSION)
5 LEAD PLASTIC SINGLE-IN-LINE PACKAGE

SYMBOL	MILLIMETERS	
	MIN	MAX
A	4.30	4.70
A1	1.25	1.40
A2	2.20	2.60
b	0.70	0.90
b1	0.70	0.85
b2	0.85	1.05
b3	0.85	1.00
c	0.45	0.60
c1	0.45	0.55
D	15.50	15.90
D1	9.00	9.40
D2	13.20	13.80
E	9.68	10.08
E1	7.70	8.30
E2	0.49	0.69
e	1.70 BSC	
e1	6.80 BSC	
H1	6.30	6.70
L	12.818	13.218
L1	2.26	2.66
ØP	3.50	3.70
Q	2.54	2.94

Rev. 0 5/09

NOTES:

1. Dimensioning & tolerancing confirm to ASME Y14.5m-1994.
2. All dimensions are in millimeters.
Angles are in degrees.
3. Radius on terminal is optional.
4. General tolerances - Linear ± 0.05 .
5. Plastic body angles: 5° unless otherwise specified.
6. Plastic body radius: Max. 0.25 unless otherwise specified.
7. Plastic body finishing: Matt finishing $R_a = 1.7\text{--}2$ microns.
8. Mismatch max. = 0.05 (cavity to hole axis).

