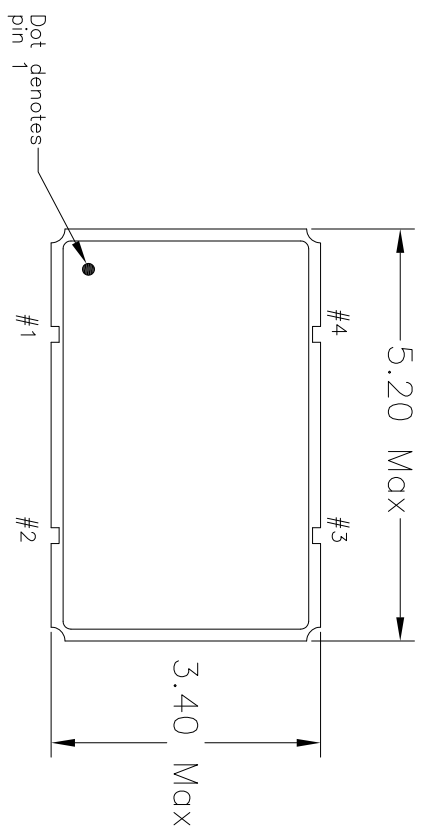
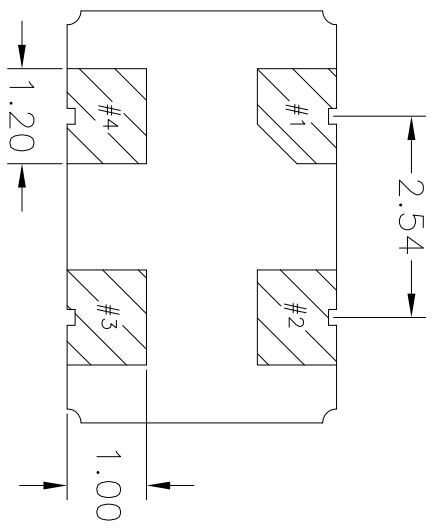


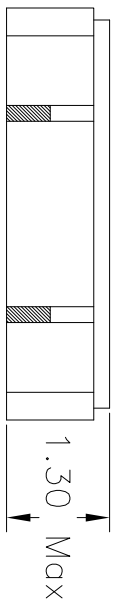
REVISIONS			
REV	DESCRIPTION	DATE	APPROVED
00	INITIAL RELEASE	6/22/15	JHUA



TOP VIEW



BOTTOM VIEW



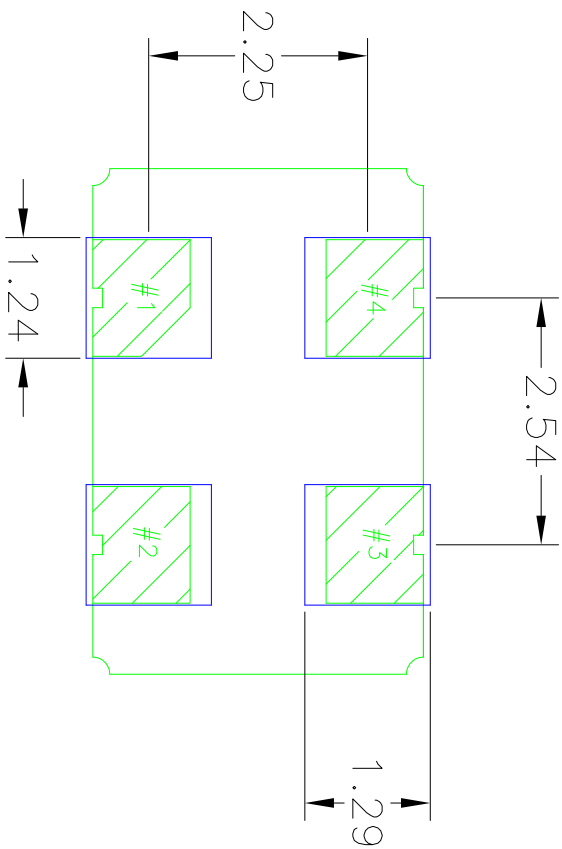
SIDE VIEW

NOTES:

1. ALL DIMENSIONS IN MM.

TOLERANCES UNLESS SPECIFIED		6024 Silver Creek Valley Rd	
DECIMAL	ANGULAR	San Jose, CA 95138	
XXX+	E	PHONE: (408) 727-6116	
XXXX+		FAX: (408) 492-8674	
XXXXX±		www.IDT.com	
APPROVALS	DATE	TITLE	SC4 PACKAGE OUTLINE
DRAWN <i>JR/G</i>	6/22/15	5.20 x 3.40mm BODY	
CHECKED		1.30 mm THICK	
SIZE	DRAWING No.	REV	
C	PSC-4614	00	
DO NOT SCALE DRAWING			SHEET 1 OF 2

REVISIONS			
REV	DESCRIPTION	DATE	APPROVED
00	INITIAL RELEASE	6/22/15	JHUA



### RECOMMENDED LAND PATTERN DIMENSION

**NOTES:**

1. ALL DIMENSIONS ARE IN mm. ANGLES IN DEGREES.
2. TOP DOWN VIEW, AS VIEWED ON PCB.
3. COMPONENT OUTLINE IS SHOWN FOR REFERENCE IN GREEN.
4. LAND PATTERN IN BLUE. NSMD PATTERN ASSUMED.
5. LAND PATTERN RECOMMENDATION PER IPC-7351B GENERIC REQUIREMENT FOR SURFACE MOUNT DESIGN AND LAND PATTERN.

TOLERANCES UNLESS SPECIFIED			
DECIMAL	ANGULAR		
XXX±			
XXXX±			
XXXX±			
APPROVALS	DATE	TITLE	www.IDTI.com
DRAWN /DAG	6/22/15	SG4 PACKAGE OUTLINE	6024 Silver Creek Valley Rd
CHECKED		5.20 x 3.40mm BODY	San Jose, CA 95138
		1.30 mm THICK	PHONE: (408) 727-6116
			FAX: (408) 492-8674
SIZE	DRAWING No.	REV	
C	PSC-4614	00	
DO NOT SCALE DRAWING			SHEET 2 OF 2