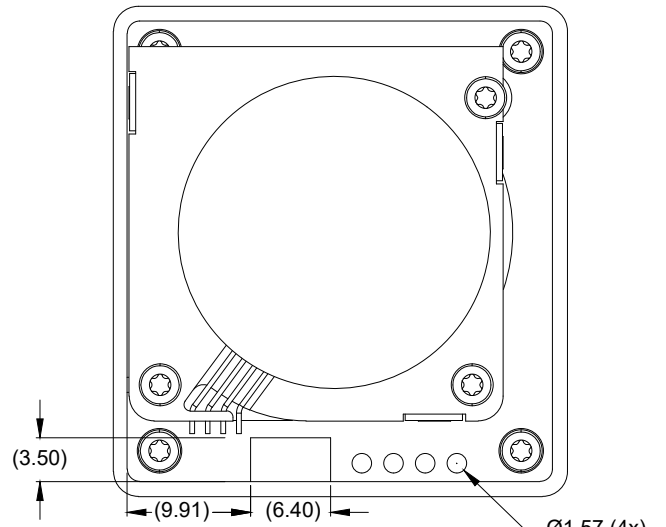
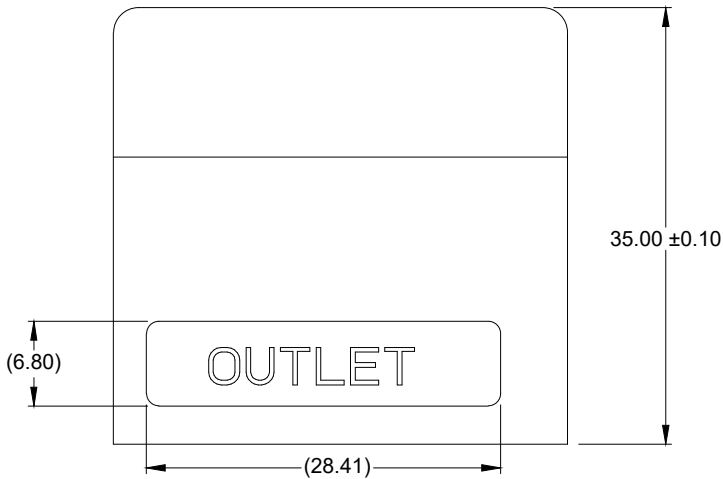


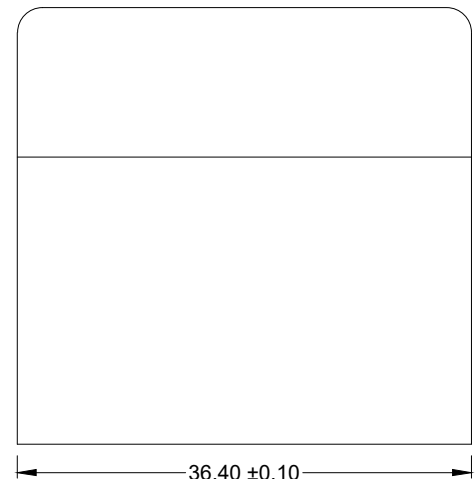
TOP VIEW



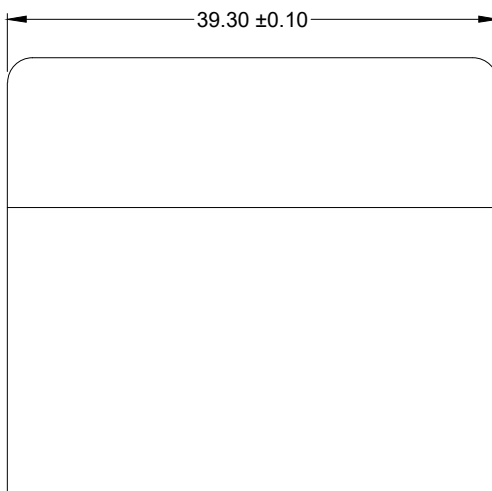
BOTTOM VIEW



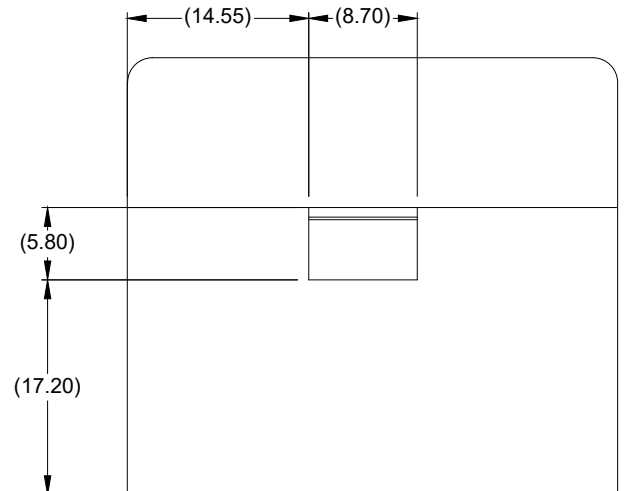
FRONT VIEW



BACK VIEW



LEFT SIDE VIEW



RIGHT SIDE VIEW

NOTES:

1. All dimensions are in mm and angles are in degrees.
2. Use ± 0.05 mm for the non-toleranced dimensions.
3. Numbers in () are for references only.