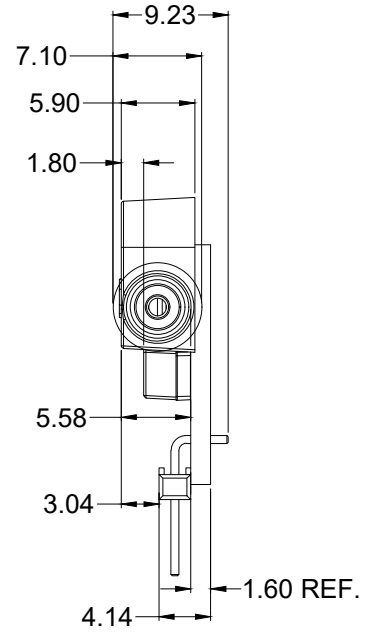
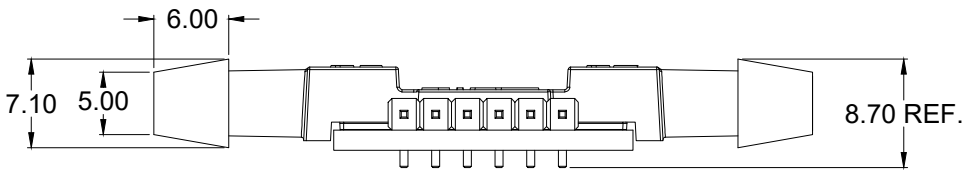


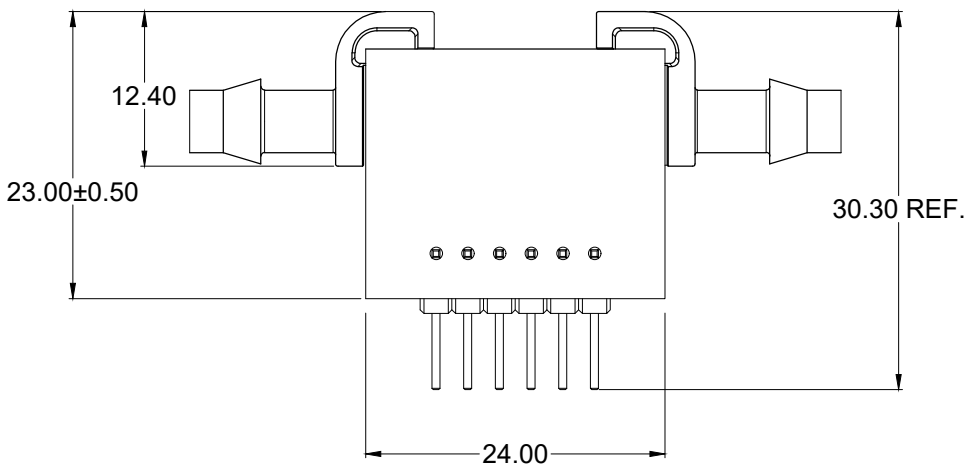
TOP VIEW



SIDE VIEW



SIDE VIEW



BOTTOM VIEW

NOTES:

1. All dimensions are in mm and angles are in degrees.
2. Use ± 0.50 mm for the non-toleranced dimensions.
3. Numbers in () are for references only.