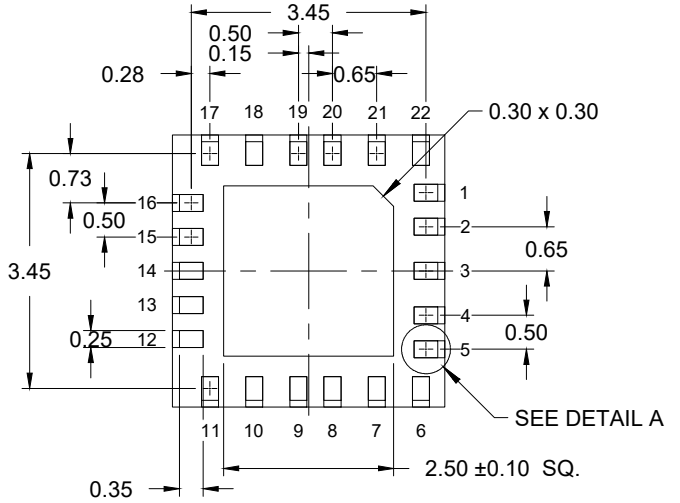
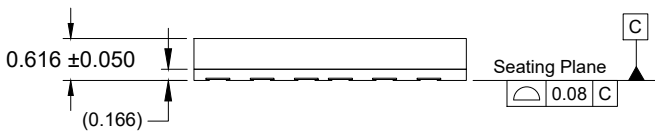


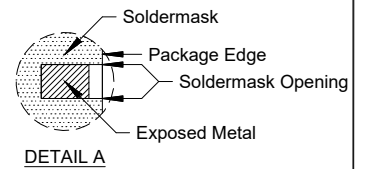
TOP VIEW



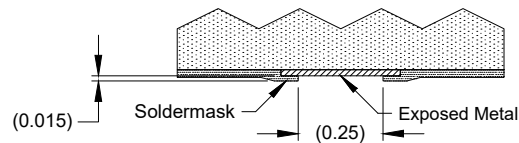
BOTTOM VIEW



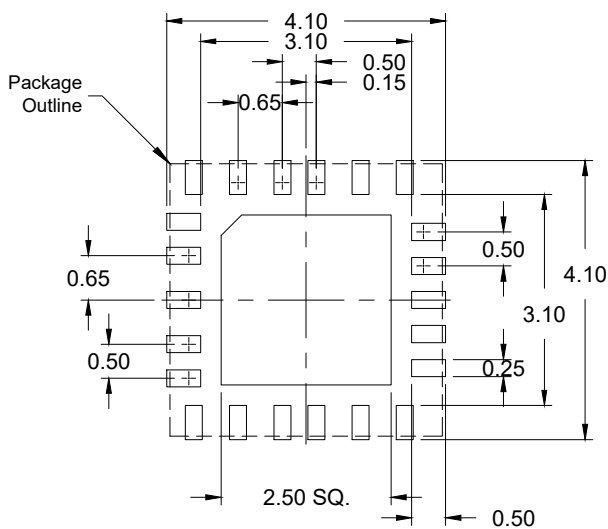
SIDE VIEW



DETAIL A



SECTION A-A



RECOMMENDED LAND PATTERN
(PCB Top View)

NOTES:

1. JEDEC compatible.
2. All dimensions are in mm and angles are in degrees.
3. Use ± 0.05 mm for the non-toleranced dimensions.
4. Numbers in () are for references only.