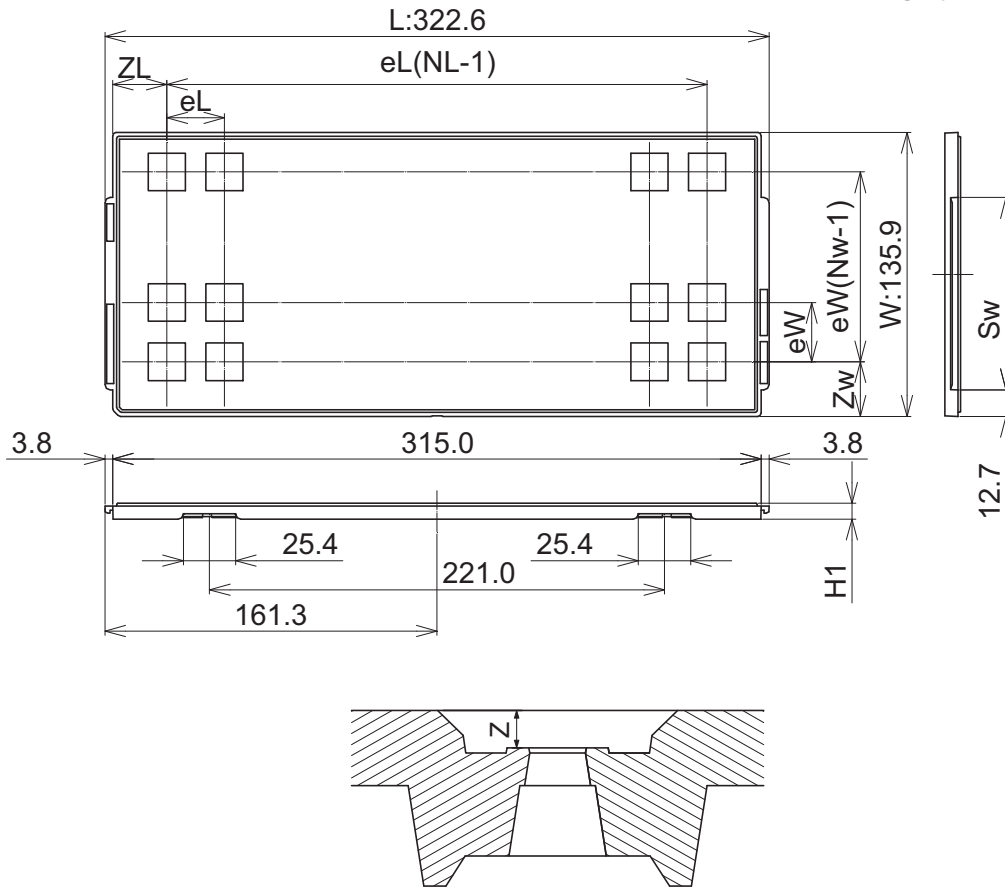
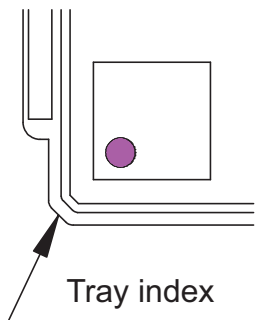


**Packing Specification
Tray Outline Drawing
L196-130**

Unit: mm



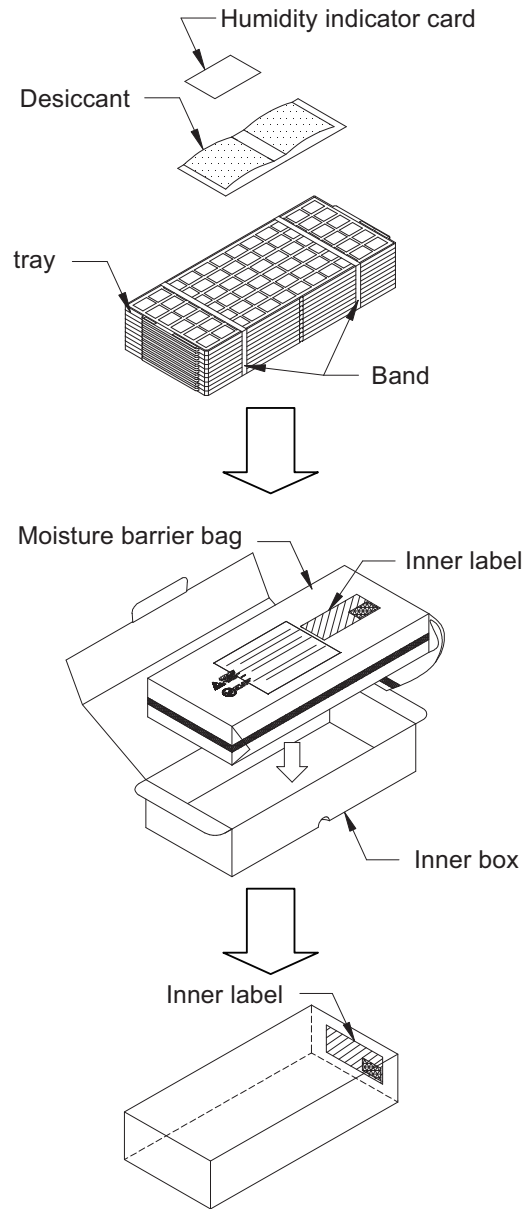
The pin1 is located in the hatching portion.



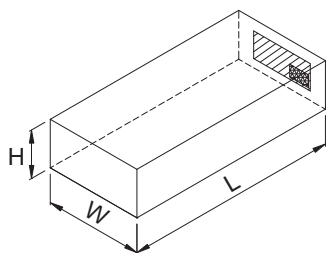
Tray Code		L196-130
Position dimension of cells	Z	2.1
	Zw	8.85
	ZL	8.70
	eW	9.85
	eL	9.60
	Sw	92.1
Thickness (mm)	H1	7.62
Number of cells	Nw	13
	NL	32
Maximum storage pcs. IC/Tray		416
Maximum storage pcs. IC/Inner box		3328
Material		Carbon PPE
Heat resistant temperature		135°C MAX
JEDEC or Custom		JEDEC
Surface resistance		Less than $1 \times 10^{11} \Omega/\square$

RDK-H-000996

Packing Specification
Tray Packing
(Complete dry pack)



Inner box size



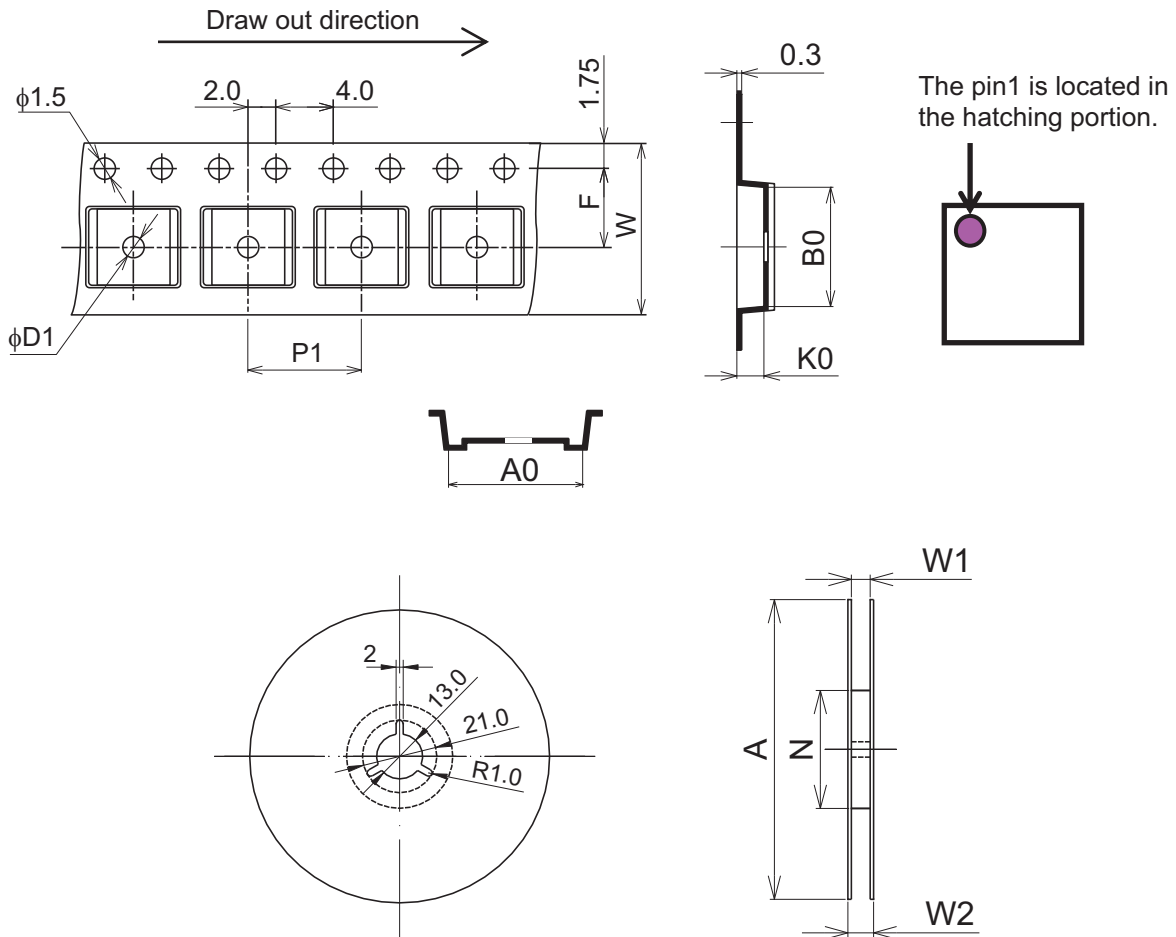
Unit: mm

L	W	H
330	152	75

RDK-H-000216

Packing Specification
Tape & Reel Outline Drawing
E12 * 08-0JCA

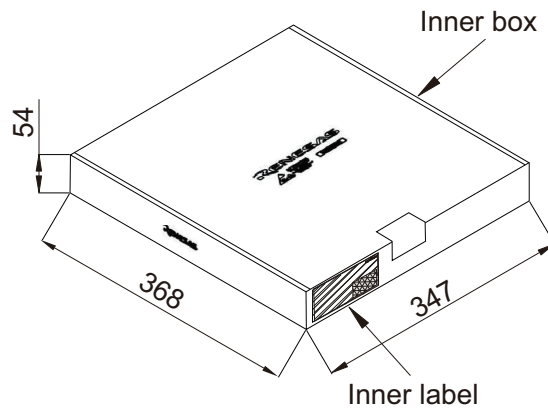
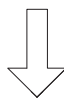
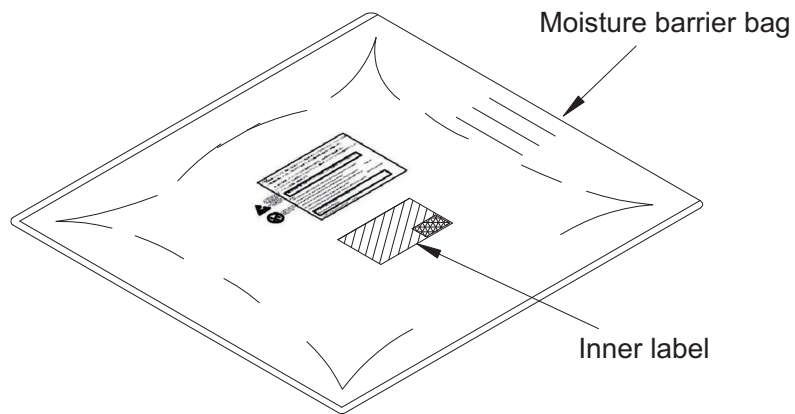
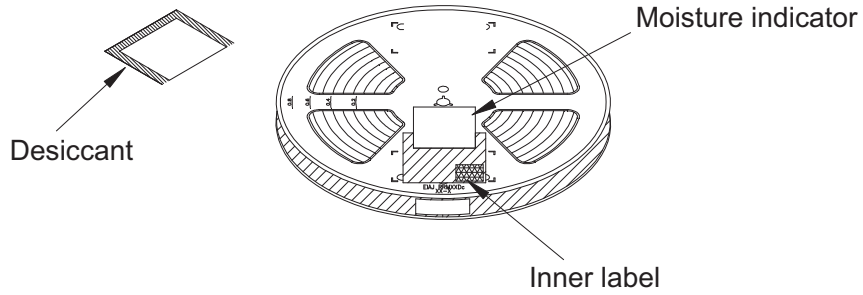
Unit: mm



Tape Code		E12 * 08-0JCA
Tape Dimensions (mm)	W	12.0
	P1	8.0
	A0	6.8
	B0	5.75
	K0	1.8
	F	5.5
	D1	1.5
Reel Dimensions (mm)	A	330
	N	100
	W1	13.5
	W2	17.5
Maximum storage No. IC/ Reel		2500
Material		Carbon PS
Surface resistance		Less than $1 \times 10^{11} \Omega/\square$

RDH-H-001647

**Packing Specification
Tape & Reel Packing
(Tape dry pack)**



RDK-H-000152

© 2017 Renesas Electronics Corporation. All rights reserved.