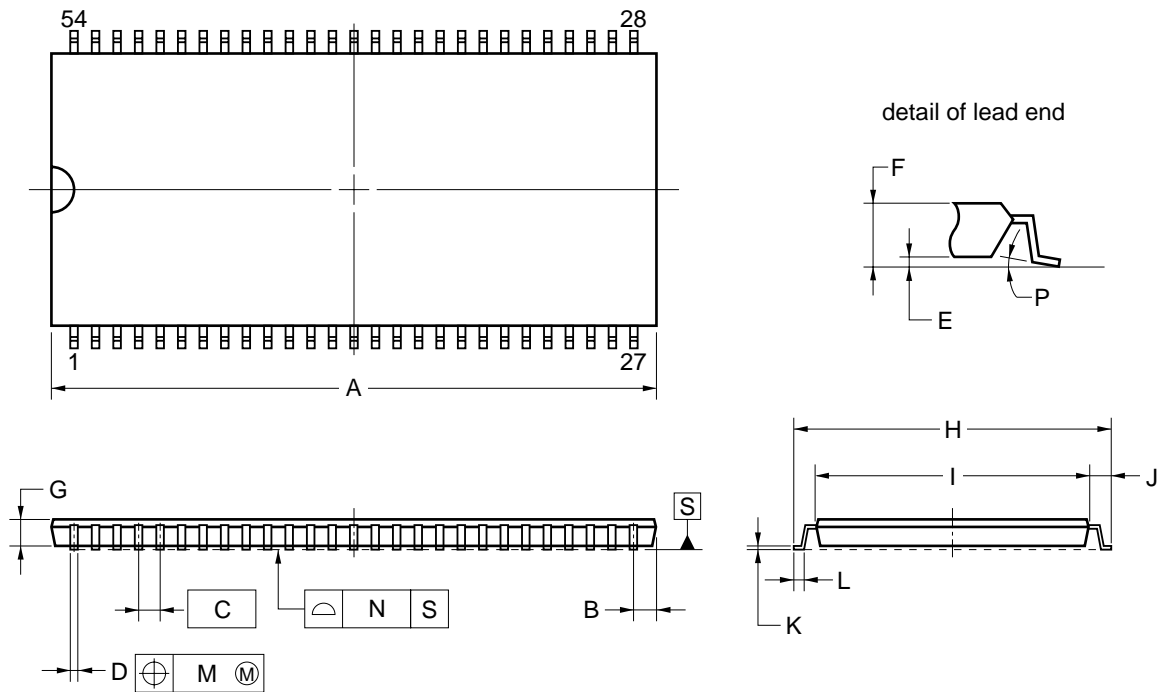


## 54-PIN PLASTIC TSOP (II) (10.16 mm (400))



### NOTES

- Each lead centerline is located within 0.13 mm of its true position (T.P.) at maximum material condition.
- Dimension "A" does not include mold flash, protrusions or gate burrs. Mold flash, protrusions or gate burrs shall not exceed 0.15 mm per side.

ITEM	MILLIMETERS
A	22.22±0.05
B	0.91 MAX.
C	0.80 (T.P.)
D	0.32 <sup>+0.08</sup> <sub>-0.07</sub>
E	0.10±0.05
F	1.1±0.1
G	1.00
H	11.76±0.20
I	10.16±0.10
J	0.80±0.20
K	0.145 <sup>+0.025</sup> <sub>-0.015</sub>
L	0.50±0.10
M	0.13
N	0.10
P	3° <sup>+7°</sup> <sub>-3°</sub>

S54G5-80-9JF-3