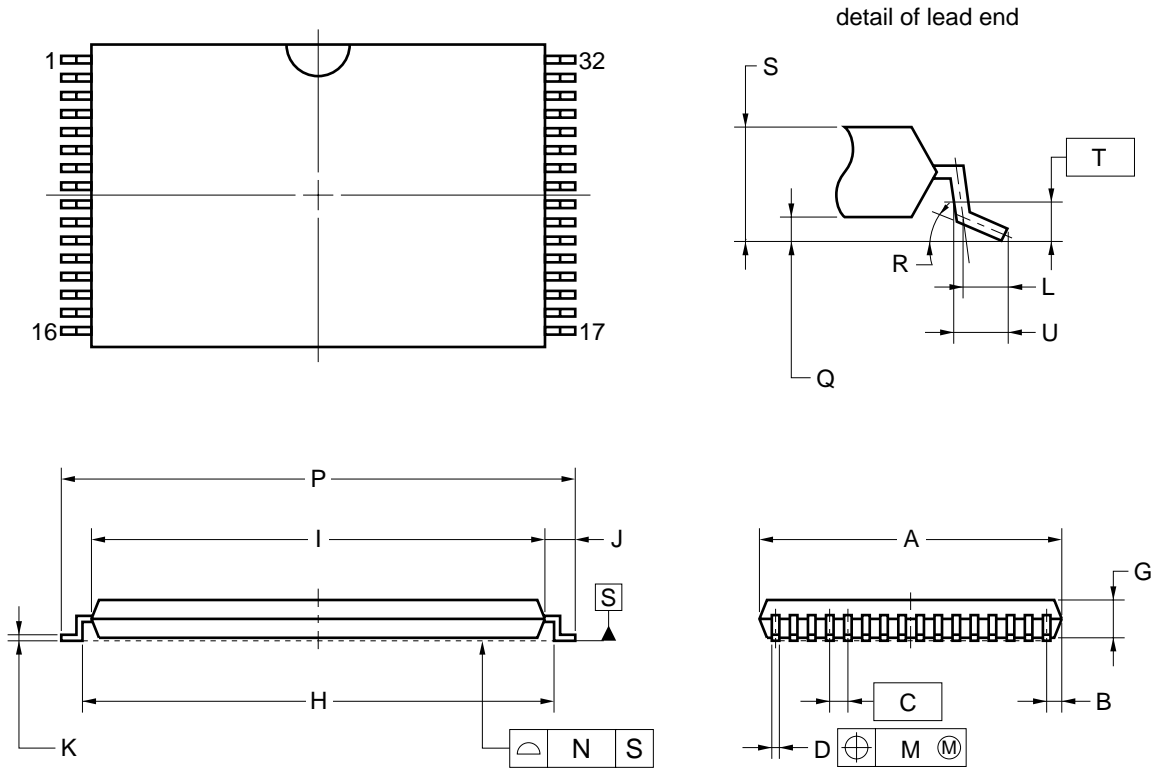


## 32-PIN PLASTIC TSOP(I) (8x13.4)



### NOTES

- Each lead centerline is located within 0.08 mm of its true position (T.P.) at maximum material condition.
- "A" excludes mold flash. (Includes mold flash : 8.3 mm MAX.)

ITEM	MILLIMETERS
A	8.0±0.1
B	0.45 MAX.
C	0.5 (T.P.)
D	0.22±0.05
G	1.0±0.05
H	12.4±0.2
I	11.8±0.1
J	0.8±0.2
K	0.145 <sup>+0.025</sup> <sub>-0.015</sub>
L	0.5
M	0.08
N	0.08
P	13.4±0.2
Q	0.1±0.05
R	3° <sup>+5°</sup> <sub>-3°</sub>
S	1.2 MAX.
T	0.25
U	0.6±0.15

P32GU-50-9JH-2