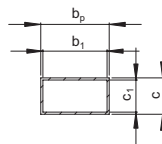
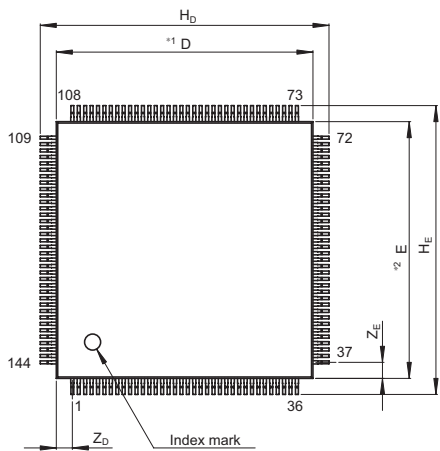
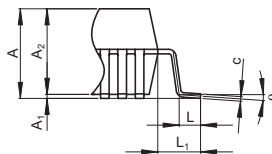
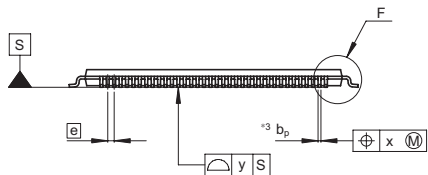


JEITA Package Code	RENESAS Code	Previous Code	MASS[Typ.]
P-TFQFP144-16x16-0.40	PTQP0144LC-A	TFP-144/TFP-144V	0.6g



Terminal cross section



Detail F

NOTE)  
 1. DIMENSIONS\*1\*AND\*2\*  
 DO NOT INCLUDE MOLD FLASH  
 2. DIMENSION\*3\*DOES NOT  
 INCLUDE TRIM OFFSET.

Reference Symbol	Dimension in Millimeters		
	Min	Nom	Max
D	—	16	—
E	—	16	—
A <sub>2</sub>	—	1.00	—
H <sub>D</sub>	17.8	18.0	18.2
H <sub>E</sub>	17.8	18.0	18.2
A	—	—	1.20
A <sub>1</sub>	0.05	0.10	0.15
b <sub>p</sub>	0.13	0.18	0.23
b <sub>1</sub>	—	0.16	—
c	0.12	0.17	0.22
c <sub>1</sub>	—	0.15	—
$\theta$	0°	—	8°
$\ominus$	—	0.4	—
x	—	—	0.07
y	—	—	0.08
Z <sub>D</sub>	—	1.0	—
Z <sub>E</sub>	—	1.0	—
L	0.4	0.5	0.6
L <sub>1</sub>	—	1.0	—