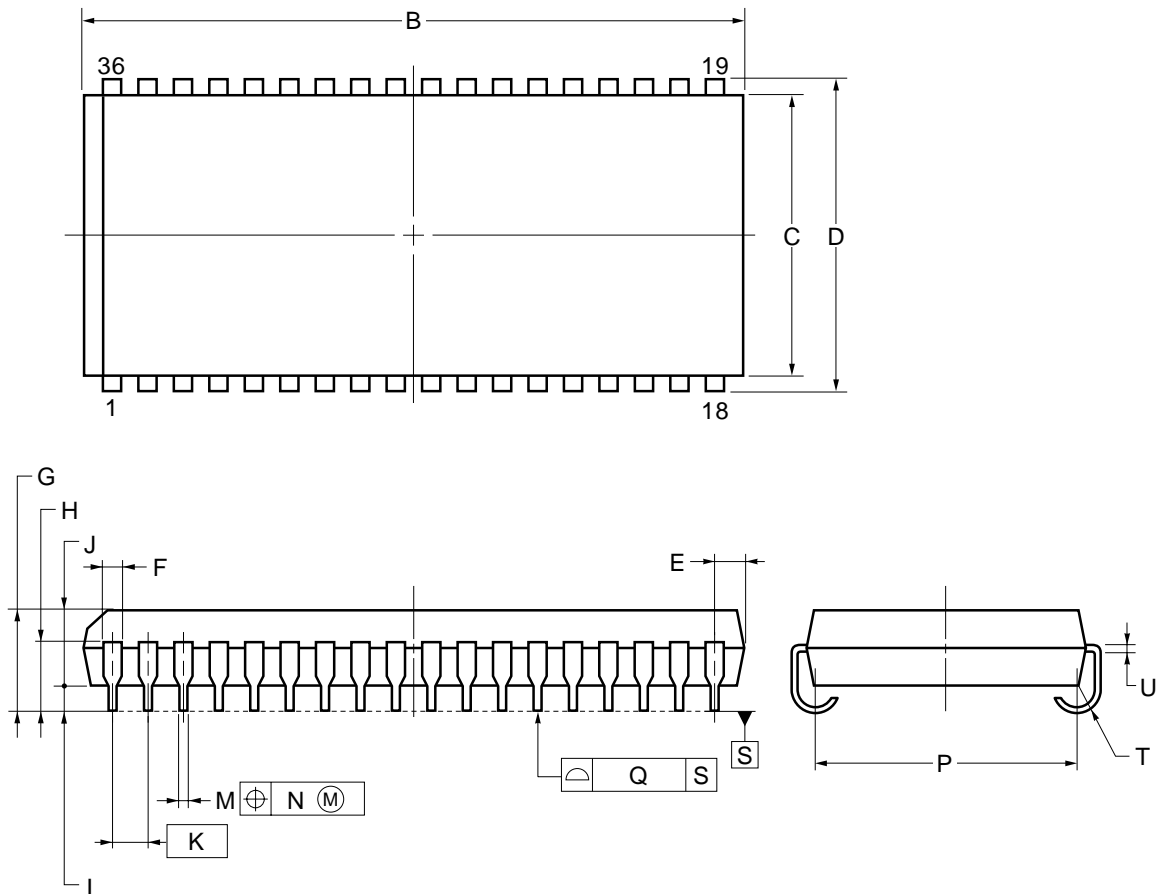


36-PIN PLASTIC SOJ (10.16mm400)



NOTE

Each lead centerline is located within 0.12 mm of its true position (T.P.) at maximum material condition.

ITEM	MILLIMETERS
B	23.6±0.20
C	10.16±0.1
D	11.18±0.2
E	1.005±0.1
F	0.74
G	3.5±0.2
H	2.545±0.2
I	0.8 MIN.
J	2.6
K	1.27 (T.P.)
M	0.42 ^{+0.08} _{-0.07}
N	0.12
P	9.4±0.20
Q	0.1
T	R 0.85
U	0.22 ^{+0.08} _{-0.07}

P36LE-400A-2