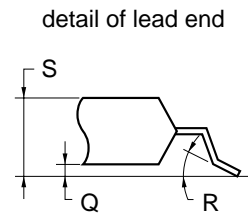
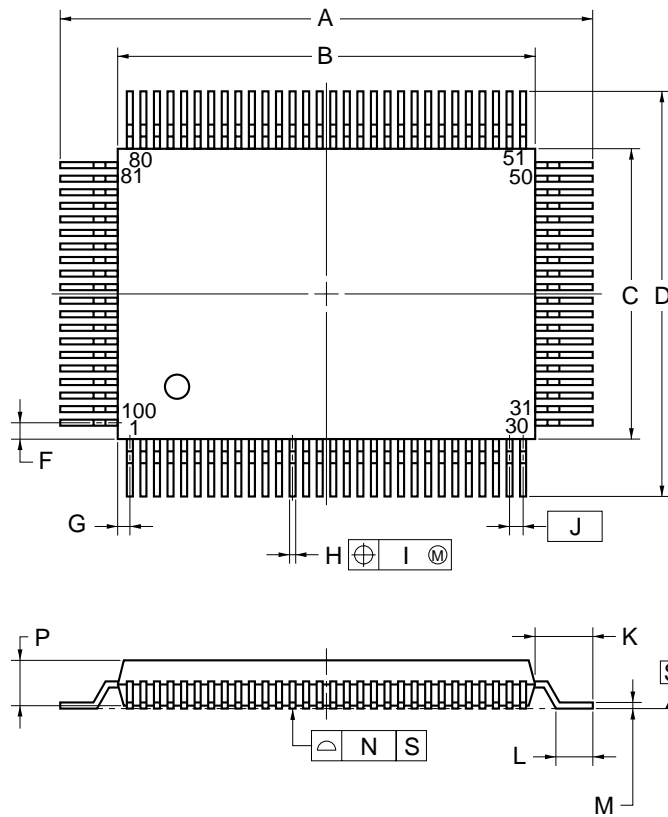


100-PIN PLASTIC QFP (14x20)



NOTE

Each lead centerline is located within 0.15 mm of its true position (T.P.) at maximum material condition.

| ITEM | MILLIMETERS |
|------|--|
| A | 23.6±0.4 |
| B | 20.0±0.2 |
| C | 14.0±0.2 |
| D | 17.6±0.4 |
| F | 0.8 |
| G | 0.6 |
| H | 0.30±0.10 |
| I | 0.15 |
| J | 0.65 (T.P.) |
| K | 1.8±0.2 |
| L | 0.8±0.2 |
| M | 0.15 ^{+0.10} / _{-0.05} |
| N | 0.10 |
| P | 2.7 |
| Q | 0.1±0.1 |
| R | 5°±5° |
| S | 3.0 MAX. |

P100GF-65-3BA-4