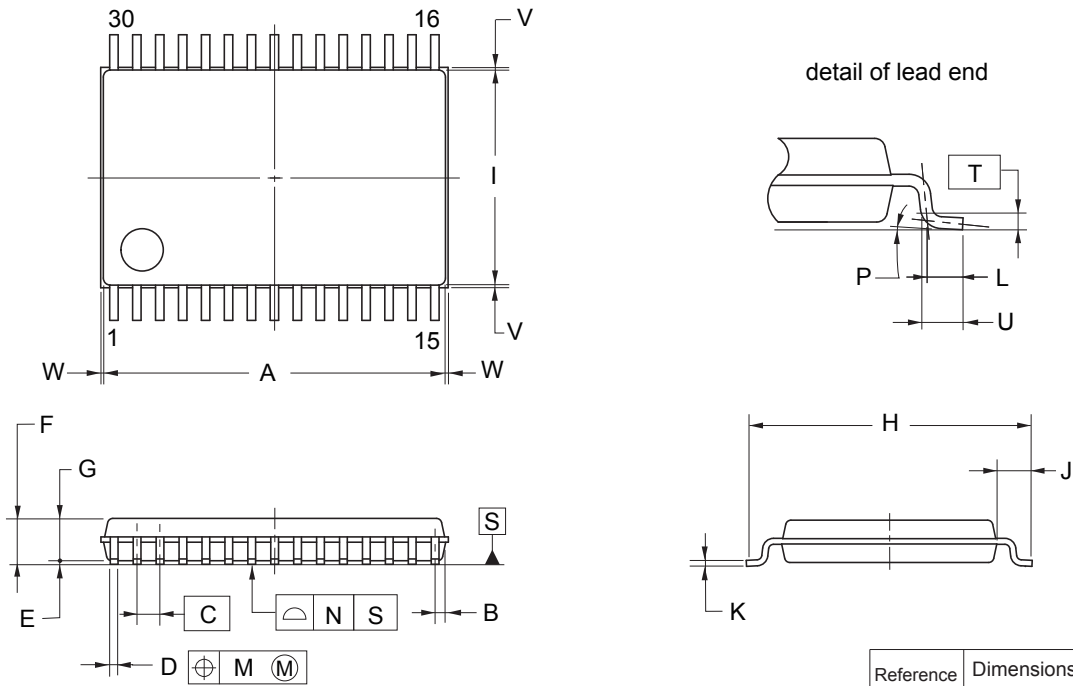


JEITA Package Code	RENESAS Code	Previous Code	MASS (Typ) [g]
P-LSSOP30-6.1x9.7-0.65	PLSP0030JB-A	P30MC-65-CAB	0.18

Unit: mm



NOTE

Each lead centerline is located within 0.13 mm of its true position (T.P.) at maximum material condition.

Reference Symbol	Dimensions in millimeters		
	Min	Nom	Max
A	9.60	9.70	9.80
B	—	3.00	—
C	—	0.65	—
D	0.17	0.22	0.32
E	0.05	0.10	0.15
F	1.20	1.30	1.40
G	—	1.20	—
H	7.90	8.10	8.30
I	6.00	6.10	6.20
J	0.08	1.00	1.20
K	0.14	0.15	0.20
L	—	0.50	—
M	—	0.13	—
N	—	0.10	—
P	0°	3°	8°
T	—	0.25	—
U	0.45	0.60	0.75
V	—	—	0.25
W	—	—	0.15