

JEITA Package Code

RENESAS Code

Previous Code

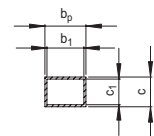
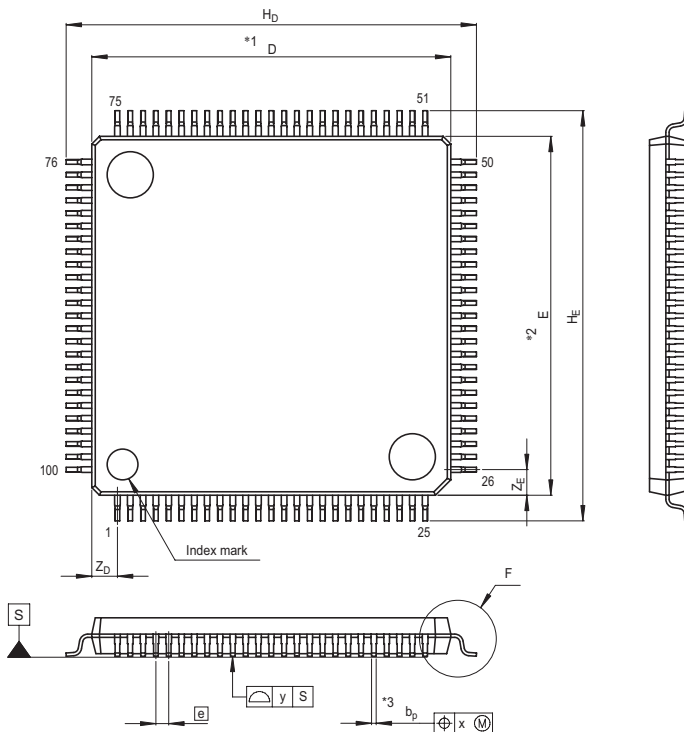
MASS[Typ.]

P-LFQFP100-14x14-0.50

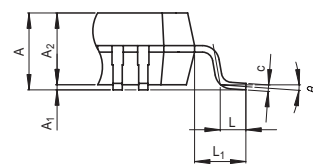
PLQP0100KB-A

100P6Q-A / FP-100U / FP-100UV

0.6g



Terminal cross section



Detail F

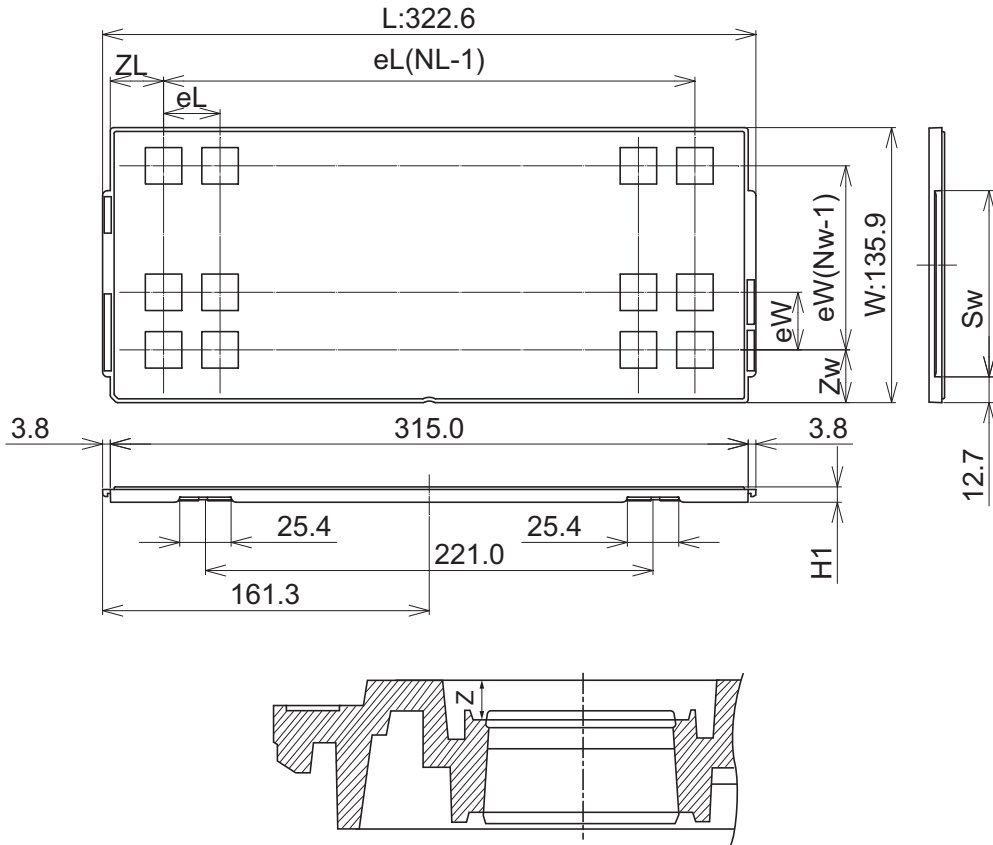
NOTE)

1. DIMENSIONS \*\*1\* AND \*\*2\* DO NOT INCLUDE MOLD FLASH.
2. DIMENSION \*\*3\* DOES NOT INCLUDE TRIM OFFSET.

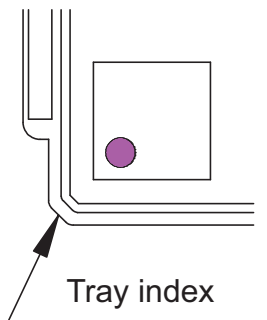
Reference Symbol	Dimension in Millimeters		
	Min	Nom	Max
D	13.9	14.0	14.1
E	13.9	14.0	14.1
A <sub>2</sub>	—	1.4	—
H <sub>D</sub>	15.8	16.0	16.2
H <sub>E</sub>	15.8	16.0	16.2
A	—	—	1.7
A <sub>1</sub>	0.05	0.1	0.15
b <sub>D</sub>	0.15	0.20	0.25
b <sub>1</sub>	—	0.18	—
c	0.09	0.145	0.20
c <sub>1</sub>	—	0.125	—
$\theta$	0°	—	8°
@	—	0.5	—
x	—	—	0.08
y	—	—	0.08
Z <sub>D</sub>	—	1.0	—
Z <sub>E</sub>	—	1.0	—
L	0.35	0.5	0.65
L <sub>1</sub>	—	1.0	—

**Packing Specification  
Tray Outline Drawing  
TQFP14x14x1.4**

Unit: mm



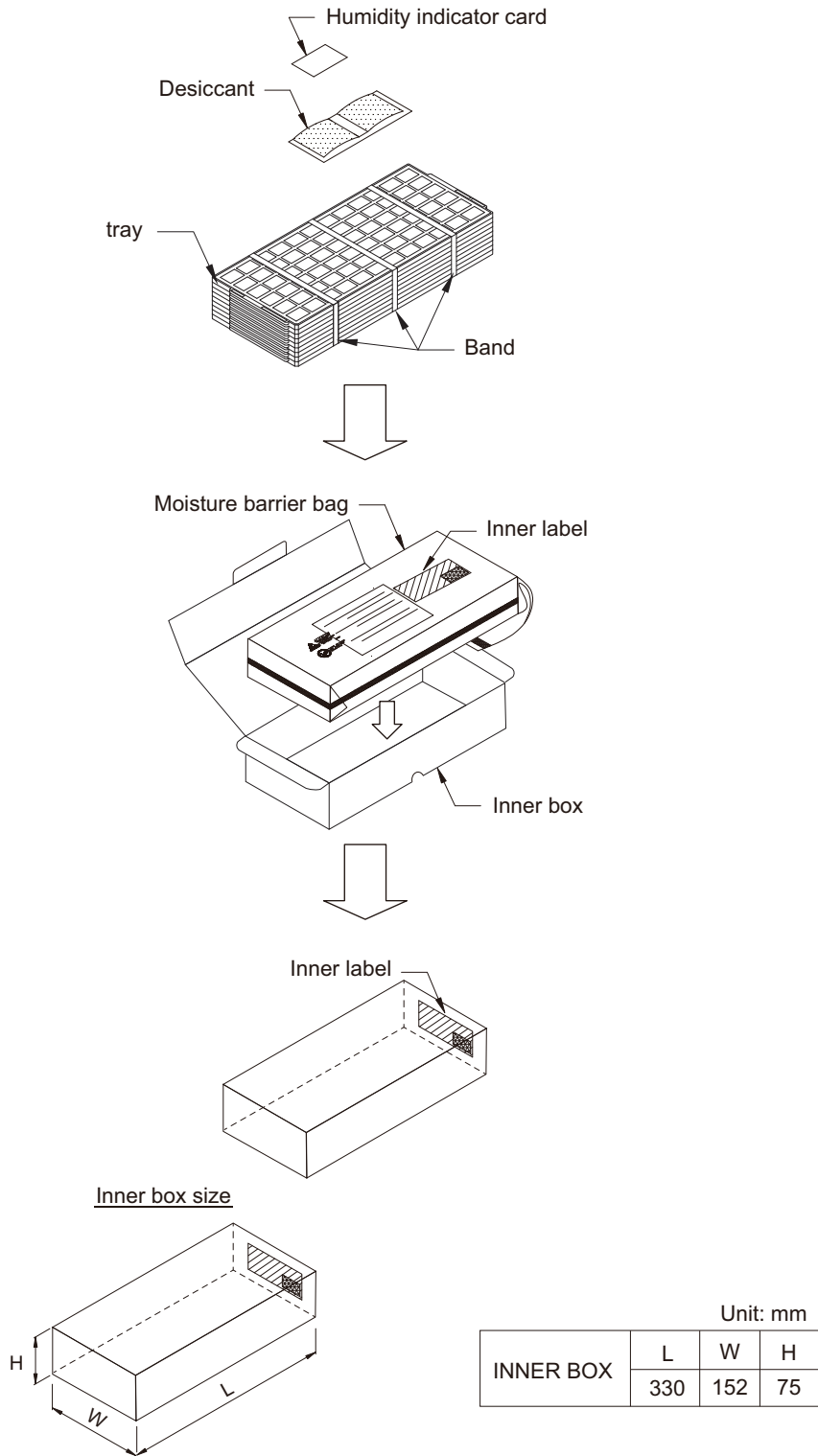
The pin1 is located in the hatching portion.



Tray Code		TQFP14x14x1.4
Position dimension of cells	Z	2.0
	Zw	15.45
	ZL	15.4
	eW	21.0
	eL	20.3
	Sw	92.1
Thickness (mm)	H1	7.62
Number of cells	Nw	6
	NL	15
Maximum storage pcs. IC/Tray		90
Maximum storage pcs. IC/Inner box		720
Material		Carbon PPE
Heat resistant temperature		135°C MAX
JEDEC or Custom		JEDEC
Surface resistance		Less than $1 \times 10^{11} \Omega/\square$

RDK-H-000860

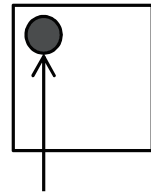
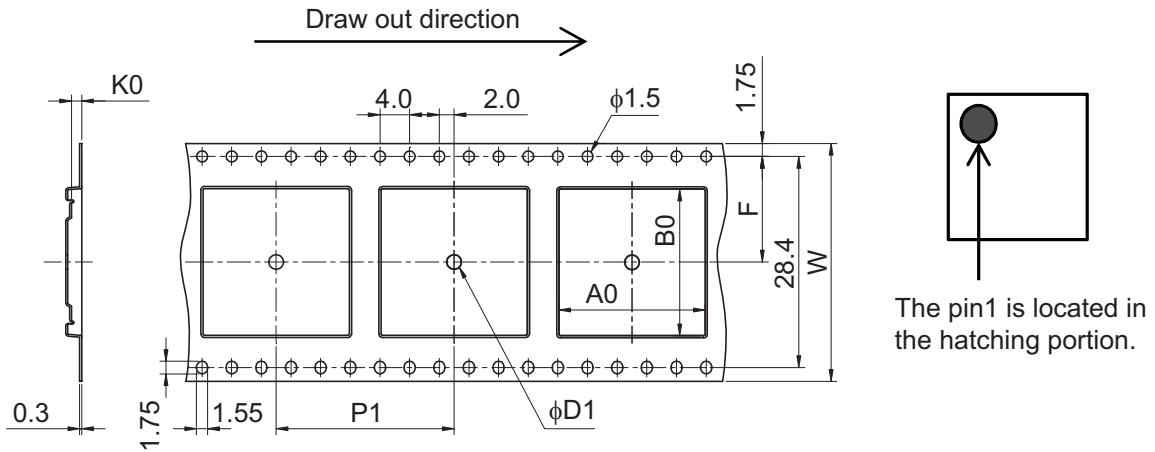
**Packing Specification**  
**Tray Packing**  
**(Tray dry pack)**



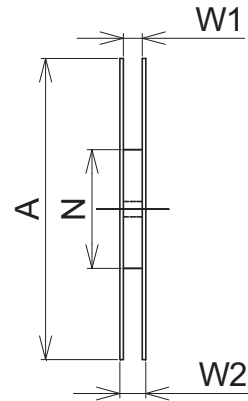
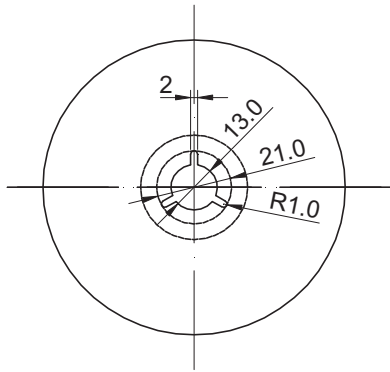
H-000531

**Packing Specification**  
**Tape & Reel Outline Drawing**  
**MTE3224H-100P6Q-A**

Unit: mm



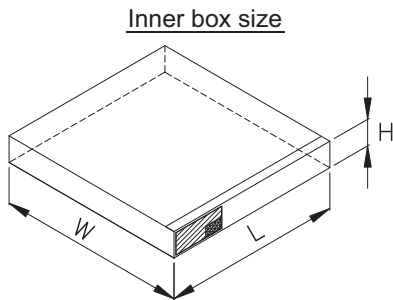
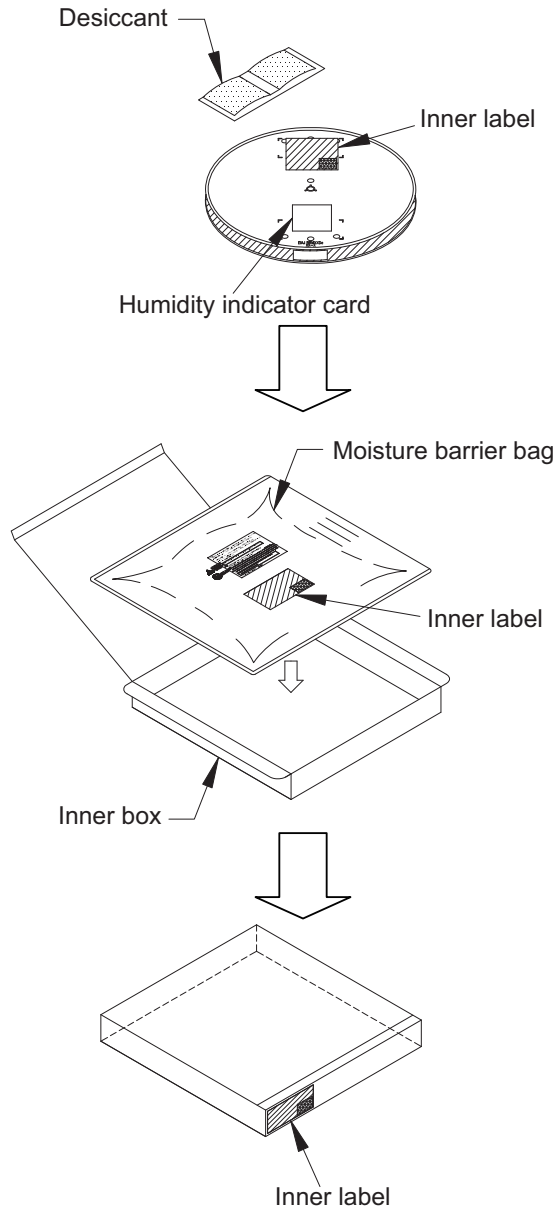
The pin1 is located in the hatching portion.



Tape Code		MTE3224H-100P6Q-A
Tape Dimensions (mm)	W	32.0
	P1	24.0
	A0	17.3
	B0	17.3
	K0	1.55
	F	14.2
	D1	2.0
Reel Dimensions (mm)	A	330
	N	100
	W1	33.4
	W2	37.4
Maximum storage No. IC/ Reel		1000
Material		Carbon PS
Surface resistance		Less than $1 \times 10^{11} \Omega/\square$

RDH-H-000428

**Packing Specification**  
**Tape & Reel Packing**  
**(Tape dry pack)**



Unit: mm

L	W	H
347	368	54

H-000248